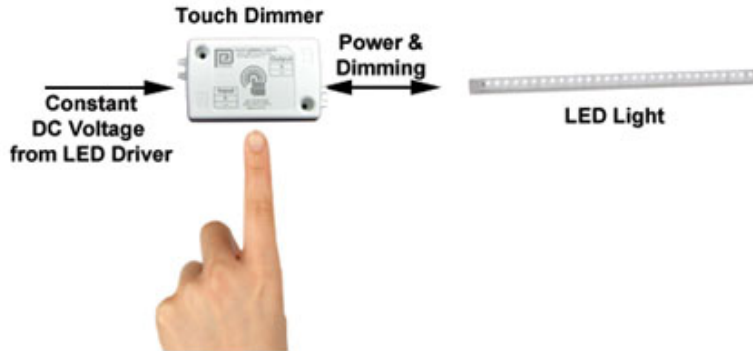




Touch Control for Constant Voltage LED Lighting Fixtures PDA-DIM Dimming Module for Under Cabinet Lighting



Features

- Constant Voltage Input 8-42V DC
- Integrate into existing LED luminaries
- On-board touch sensor
- Tap on/off
- PWM Out
- Dimming resolution of 200 steps at 300Hz
- Touch & hold to set dimming level

Applications

- Indoor Lighting

Mechanical Characteristics

- Length: 68mm(2.68in)
- Width: 35mm(1.38in)
- Height: 20mm(0.79in)
- Weight: 30g(1.06oz)

Electrical Specifications

Model	Input Voltage	Output Voltage	Output Current
PDA-DIM2A5	8V-42V	8V - 42V	2.5A
PDA-DIM10A	8V-42V	8V - 42V	10A

Phihong is not responsible for any errors, and reserves the right to make changes without notice. Please visit our website at www.phihong.com for the most up-to-date specifications and contact information.

PDA-DIM Characteristics

Environmental:

Temperature:

Operating: -20°C - 40°C

Storage: -20°C - 70°C

Humidity: 90%

IP Level: 50

EMI

EN55022 radiated Class B, FCC part 15 Class B

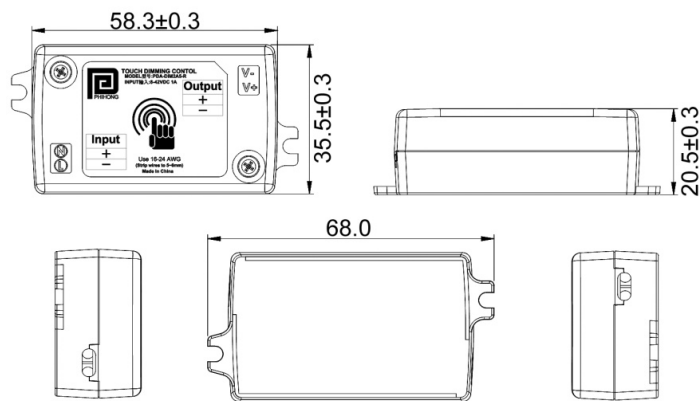
Immunity

IEC61000-4-2, Level 3, Criteria B

IEC61000-4-4, Level 2

Input Connector (CN1) and Output connector (CN2): terminal block 2 pins, type ED500V-02P or the equivalent, rated 300V 16A. Use 16-18 AWG, strip wires to 5-6mm

Dimension Diagram unit: mm



X-ON Electronics

Largest Supplier of Electrical and Electronic Components

Click to view similar products for [LED Power Supplies](#) category:

Click to view products by [Phihong](#) manufacturer:

Other Similar products are found below :

[ESS015W-1000-12](#) [PDA-WIFI](#) [PIFC-K250F](#) [PITB-K222A](#) [ALD-514012PJ134](#) [LB240S24KH](#) [LMH020-SPLC-0000-0000001](#) [LMD600-0100-C1A7-7030000](#) [79534](#) [79535](#) [EUG-200S210DT](#) [ESS030W-1050-21](#) [ESS030W-0900-32](#) [BPOXL 4-12-035](#) [ESS010W-0350-24](#) [ESM060W-1400-42](#) [PDA080B-1A0G](#) [PDA150B-S1A5G](#) [ZPS-20](#) [SLM140W-1.05-130-ZA](#) [ESS015W-0700-18](#) [EUD-150S350DVA](#) [LWA320-C420-ARK-B](#) [HVG-240-48AB](#) [HVG-320-36AB](#) [HVG-320-54AB](#) [ELG-240-C1400AB](#) [EUK-150S105DV](#) [BXCS-12Z-N2P-B1-A](#) [BXPR-WN-01-A](#) [LN1224CV](#) [BXCS-12W-N2P-01-A](#) [HBG-160-24AB](#) [980100001200394](#) [980060001200376](#) [LC 14W 250-350MA FLEXC R ADV2](#) [LC 24W 500-600MA FLEXC R ADV2](#) [LC 36W 850-900MA FLEXC R ADV2](#) [LC 18W 24V ONE4ALL SC PRE](#) [LC 50W 200-350ML 170V FLEXC LP SNC4](#) [LC 25W 200-350ML 70V FLEXC LP SNC4](#) [LCBI 10W 350MA PHASE-CUT/1-10V LP](#) [LC 13W 300MA FIXC C SNC](#) [LC 10W 250MA FIXC SC SNC2](#) [LC 35W 800MA FIXC SR ADV2](#) [LC 38W 900MA FIXC SR ADV2](#) [LC 34W 800MA FIXC SC ADV2](#) [LC 44W 1050MA FIXC SC ADV2](#) [LC 38W 900MA 42V FIXC SRL ADV2](#) [PWM-40-36](#)