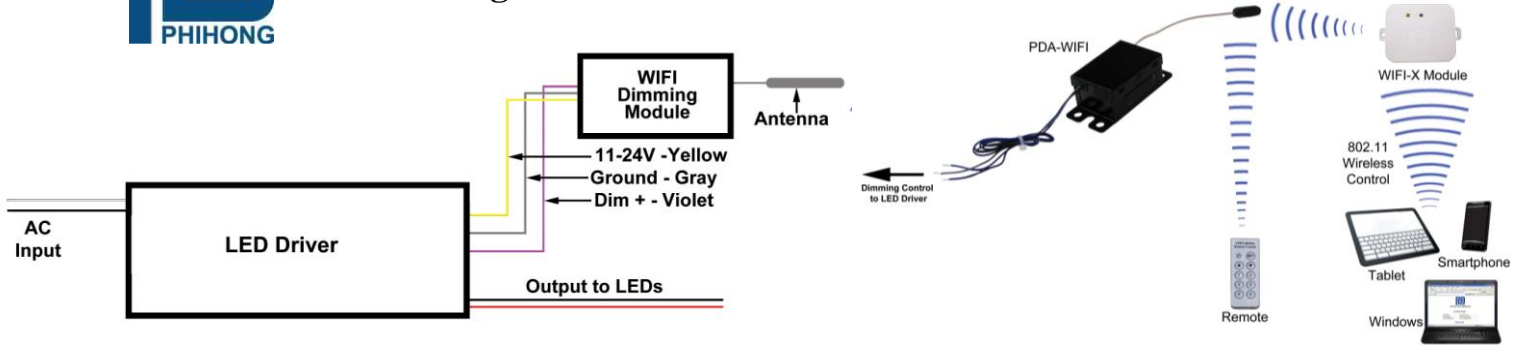




## Modular Accessory for Remote Control of Lighting Fixtures Using a Remote or Browser and Wireless Access Point



### Features

- Remotely turn lights on/off
- Windows GUI available
- GUI interface accessible via a device with a browser and WiFi via WIFI-X
- Retrofit Kits
- Control up to 6 fixtures from one module
- GUI can control up to 64 Modules
- Dimming control
- Control luminaires with remote
- Android/iOS applications available for smartphones and tablets
- WiFi Antenna Range of 150m
- <10m range for RF controller

### Applications

- Indoor Lighting

### Product Specifications

Model	Description	Product Image
PDA-WIFI	Dimming Module	
PDA-WIFI-X	WIFI Module	
RCA-RF	Remote	

Note \*: Part numbers are sold separately

Phihong is not responsible for any error, and reserves the right to make changes without notice. Please visit our website at [www.phihong.com](http://www.phihong.com) for the most up-to-date specifications and contact information.

## Mechanical Characteristics

### PDA-WIFI

- Length: 90.2mm (3.6in)
- Width: 43mm (1.7in)

- Height: 31mm (1.2in)
- Weight: 106g (3.7oz)

### PDA-WIFI-X

- Length: 91mm (3.58in)
- Width: 57mm (2.24in)

- Height: 20mm (.79in)
- Weight: 50.5g (1.78oz)

### RCA-RF

- Length: 86.2mm (3.39in)
- Width: 33 mm (1.29in)

- Height: 8mm (0.31in)
- Weight: 16.5g (0.58oz)

## PDA-WIFI Characteristics

WWW.PHIHONG.COM

### INPUT:

#### AC Input Voltage

11V~24V

#### Input Current

28mA

#### Ingression Protection

IP50

#### Environmental:

##### Temperature

Operation -20 to 50°C  
Operating Humidity 10% to 95%

### Input / Output Connections

Position	Terminal Color	Specification	Length
Dim+	Violet	AWG22 Solid Wire	400mm
Ground	Grey	AWG22 Solid Wire	400mm
Aux	Yellow	AWG22 Solid Wire	400mm

## PDA-WIFI-X Characteristics

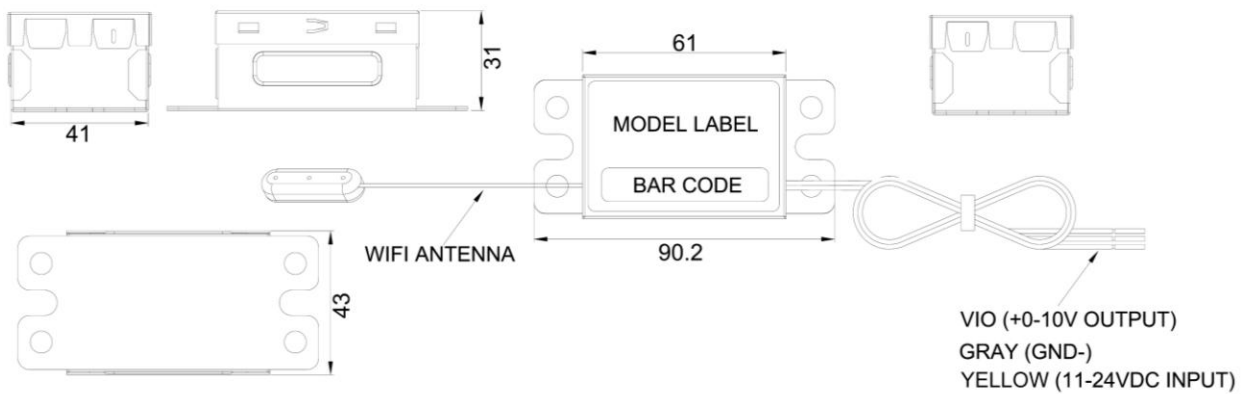
WWW.PHIHONG.COM

<b>Data Rate</b>	IEEE 802.11b: 1, 2, 5.5 and 11 Mbps IEEE 802.11g: 6, 9, 12,18, 24, 36, 48 and 54 Mbps Supports TX rate auto fall-back mechanism	
<b>Radio</b>	<b>Frequency Range</b>	2.412~2.484 GHz
	<b>Number of Selectable Sub-channels</b>	Up to 14 channels. Profiles available include USA, Canada, Europe, Spain, France, Japan, China, Taiwan and "Other"(multiple countries)
	<b>Modulations</b>	IEEE 802.11b: DSSS with DBPSK,DQPSK and CCK IEEE 802.11g: DSSS with DBPSK,DQPSK and CCK OFDM with BPSK, QPSK, 16QAM
	<b>Antenna</b>	Integrated PCB antenna
<b>RF Receiver Max Receive Level</b>	802.11b DSSS : -5 dBm 802.11b CCK : -10dBm 802.11g OFDM : -15 dBm	
<b>RF Receiver Max Receive Sensitivity</b>	802.11b : -92dBm @1Mbps; -90dBm@ 2Mbps; -89dBm @5.5Mbps; -85dBm @11Mbps 802.11g : -82dBm @6Mbps; -82dBm@ 9Mbps; -82dBm @12Mbps; -82dBm @18Mbps -79dBm@ 24Mbps; -76dBm @36Mbps; -71dBm @48Mbps; -70dBm @54Mbps	
<b>RF Max Output Power</b>	802.11b : 16.5±1dBm 802.11g : 14±1dBm@54Mbps; 15±1dBm@48Mbps; 16±1dBm@6~36Mbps	
<b>Range</b>	Max outdoor range up to 150m, line of sight	
<b>Security</b>	802.11i security: WEP64/128, TKIP(WAP-PSK) and AES (WPA2-PSK)	

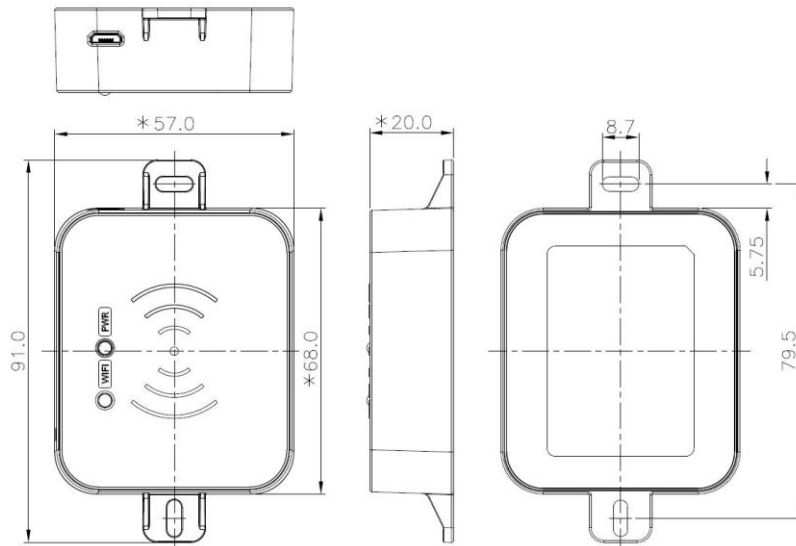
<b>802.11e QoS</b>	<b>1 TX queue but selectable AC for user's application data</b>
<b>WIFI Power Saving</b>	<b>Supports 3 WIFI power saving modes in normal operation of Infrastructure mode with auto-wakeup timer for upcoming Beacon frame reception.</b> <ul style="list-style-type: none"> <li>. typical Power Saving Mode</li> <li>. Fast Power Saving Mode</li> <li>. Maximum Power Saving Mode</li> </ul>
<b>Protocols Supported</b>	<b>Supports IP/TCP/UDP/ICMP/IGMP Checksum and ARP in hardware; supports TCP, UDP, ICMP, IPv4, DHCP, BOOTP, ARP, DNS, SMTP, SNTP, UPnP, PPPoE, HTTP in software.</b>
<b>Firmware Upgrade</b>	<b>Supports In-system Programming(ISP) for initial Flash memory programming via UART or TCE adaptor; supports reprogrammable boot code or run-time firmware through Ethernet, WIFI or UART interface (US Patent Pending)</b>
<b>Management</b>	<b>Internal web server, Serial login, Telnet login or Windows application utility</b>

**Dimension Diagram** unit: mm

**PDA-WIFI**



**PDA-WIFI-X**



## X-ON Electronics

Largest Supplier of Electrical and Electronic Components

*Click to view similar products for [LED Power Supplies](#) category:*

*Click to view products by [Phihong](#) manufacturer:*

Other Similar products are found below :

[ESS015W-1000-12](#) [PDA-WIFI](#) [PIFC-K250F](#) [PITB-K222A](#) [ALD-514012PJ134](#) [LB240S24KH](#) [LMH020-SPLC-0000-0000001](#) [LMD600-0100-C1A7-7030000](#) [79534](#) [79535](#) [EUG-200S210DT](#) [ESS030W-1050-21](#) [ESS030W-0900-32](#) [BPOXL 4-12-035](#) [ESS010W-0350-24](#) [ESM060W-1400-42](#) [PDA080B-1A0G](#) [PDA150B-S1A5G](#) [ZPS-20](#) [SLM140W-1.05-130-ZA](#) [ESS015W-0700-18](#) [EUD-150S350DVA](#) [LWA320-C420-ARK-B](#) [HVG-240-48AB](#) [HVG-320-36AB](#) [HVG-320-54AB](#) [ELG-240-C1400AB](#) [EUK-150S105DV](#) [LN1224CV](#) [HBG-160-24AB](#) [980100001200394](#) [980060001200376](#) [LC 14W 250-350MA FLEXC R ADV2](#) [LC 24W 500-600MA FLEXC R ADV2](#) [LC 36W 850-900MA FLEXC R ADV2](#) [LC 18W 24V ONE4ALL SC PRE](#) [LC 50W 200-350ML 170V FLEXC LP SNC4](#) [LC 25W 200-350ML 70V FLEXC LP SNC4](#) [LCBI 10W 350MA PHASE-CUT/1-10V LP](#) [LC 13W 300MA FIXC C SNC](#) [LC 10W 250MA FIXC SC SNC2](#) [LC 35W 800MA FIXC SR ADV2](#) [LC 38W 900MA FIXC SR ADV2](#) [LC 34W 800MA FIXC SC ADV2](#) [LC 44W 1050MA FIXC SC ADV2](#) [LC 38W 900MA 42V FIXC SRL ADV2](#) [PWM-40-36](#) [PWM-60-36](#) [LUD-060S150BSF](#) [ESS010W-0750-12](#)