



PGLAND750 Wire Glands for Outdoor PoE Units Waterproof Glands to Protect Wire Ports in Wet Conditions



Features

- UL94V-0
- Single Cable Gland – PGLAND750
- Wire Gland for Outdoor PoE
- Double Cable Gland PGLAND750-2

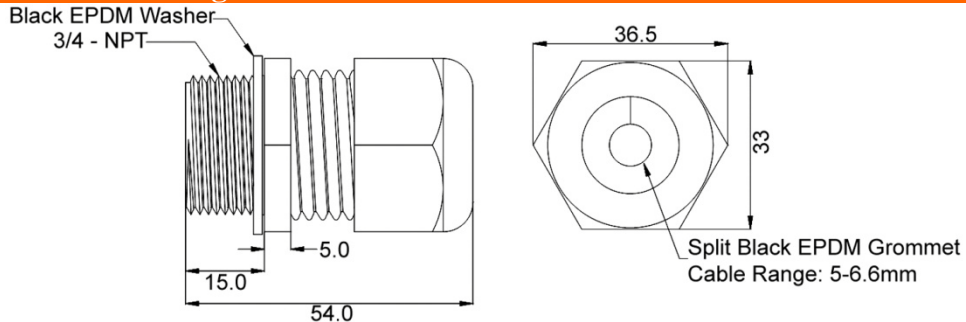
Compatibility

- POE33U-1AT
- POE61S-4AF
- POE33U-560DO

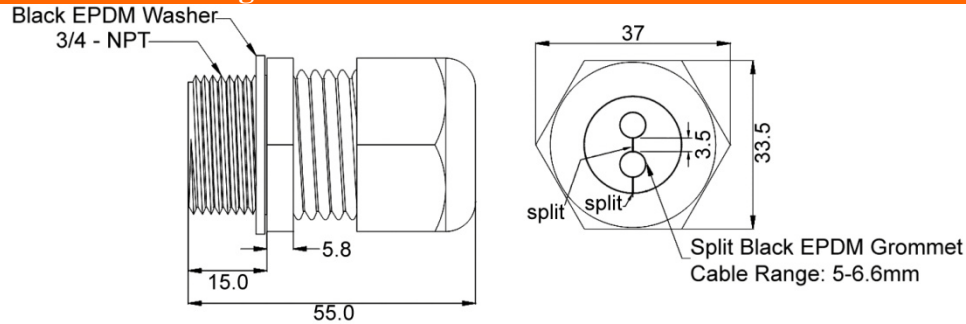
Mechanical Characteristics

- Length: 54.0mm (2.13in)
- Diameter (Side to Side): 33.0mm (1.29in)
- Diameter (Tip to Tip): 36.5mm (1.44in)
- Weight: 21.26g (0.75oz)

PGLAND750 Dimension Diagram unit:mm



PGLAND750-2 Dimension Diagram unit:mm



Phihong is not responsible for any error, and reserves the right to make changes without notice. Please visit our website at www.phihong.com for the most up-to-date specifications and contact information.

X-ON Electronics

Largest Supplier of Electrical and Electronic Components

Click to view similar products for [Cable Glands, Strain Reliefs & Cord Grips](#) category:

Click to view products by [Phihong](#) manufacturer:

Other Similar products are found below :

[1218](#) [1300980012](#) [1300980105](#) [DBZM-6828](#) [1498](#) [915](#) [300623](#) [5632NM](#) [1124](#) [1151](#) [561-MP6P4WH](#) [5534M](#) [9000005073](#) [52104486](#)
[5315817](#) [N16 025 0112 1](#) [N16 020 0112 1](#) [M6106](#) [7422](#) [NG-9516 Gasket](#) [N16 016 0112 1](#) [NG-9514 Gasket](#) [52006151](#) [2704](#) [BM4940L](#)
[BM4950L](#) [1.097.2012.50](#) [1.152.1300.01](#) [1.152.2000.50](#) [1.152.2100.01](#) [1.152.2500.50](#) [1.152.4000.50](#) [1.209.1218.70](#) [1.209.6400.71](#)
[1.609.1100.01](#) [1.609.2900.15](#) [1.609.3200.52](#) [1.609.3600.15](#) [1.609.5000.51](#) [1.676.2500.50](#) [52103150](#) [53112705](#) [53112715](#) [53112735](#)
[53119073](#) [54115405](#) [52004120](#) [52001894](#) [53018160](#) [APGPG36BA](#)