



## 18W Medical Grade Adapter



### Features

- Meets DoE Level VI
- IEC60601-1:2005+A1:2012 2xMOPP approved
- IEC60601-1-2 Ed4 2014 compliance
- Suitable for BF applications with system consideration
- OVP, OCP, SCP, OTP, brown-in and brown out protections
- LPS compliant

### Applications

- CPAP & BIPAP machines
- Medical imaging
- Nebulizers
- Blood pressure monitor

### Safety Approvals

- UL 60601-1
- IEC60601-1

### Mechanical Characteristics

- Length: 82mm (3.23in)
- Width: 43.2mm (1.7in)
- Height: 30mm (1.18in)

### Output Specifications

Model	DC Output Voltage	Load		Ripple <sup>(1)</sup> P-P (max.)	Regulation Line & Load	Case Color
		Min.	Max.			
PMA18A-120PHW-R	12V	0A	1.5A	150mV	±5%	White

Notes: (1)Test by 20Mhz bandwidth mode hi resolution with 10uF and 0.1uF capacitor

Phihong is not responsible for any error, and reserves the right to make changes without notice. Please visit our website at [www.phihong.com](http://www.phihong.com) for the most up-to-date specifications and contact information.

**Input:****AC Input Voltage Rating**

110 to 240V AC

**AC Input Voltage Range**

100 to 240V AC

**AC Input Frequency**

50 to 60Hz

**Input Current**

0.6A ~ 0.25A at 100VAC ~ 240VAC

**Leakage Current**

&lt;100uA at 264VAC/50Hz

**Inrush Current**

80A maximum at 240V AC

(Cold start &amp; at input rated voltage +/-12.5%)

**Output:****Efficiency**

DOE Level VI

**Environmental:****Temperature**

Operation 10°C to +40°C

Non-operation -20°C to +80°C

Relative Humidity 95% RH Max

**Emissions**

Complies with FCC Class B

Complies with EN55032 Class B

**Immunity**

ESD: EN 61000-4-2

RS : EN61000-4-3

EFT/Burst : EN61000-4-4

Surge: EN 61000-4-5

CS : EN61000-4-6

Power Frequency Magnetic Field : EN61000-4-8

Voltage Dips : EN61000-4-11

**Over-Voltage Protection**

16V maximum

**Short-Circuit Protection**

The power supply shall be protected when operating any output in overload condition, or when operating any output in a short. The power supply shall be self-recovering when the fault condition is removed circuit condition.

**Over-Current Protection**

The power supply will be protected when output power at 2.2A(min) of all rated dc output

**Over-Temperature Protection**

Over-temperature protection sensor

**Dielectric Withstand (Hi-pot) Test**

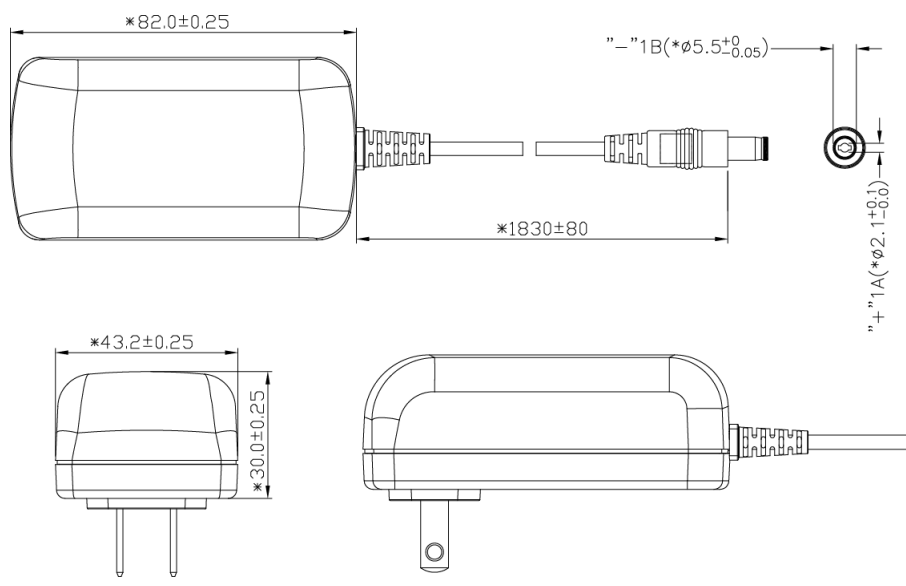
Pri. to Sec. &gt;4000VAC 10mA for 1 Minute

**DC Output Connector**

DC plug type 5.5 x 2.1 x 10mm (fork &amp; groove)

DC plug pin assignment: Inner (+V), Outer GND(-)

**Dimension Diagram Unit: mm (inch)**



**Supplier's Declaration of Conformity**  
**47 CFR § 2.1077 Compliance Information**

Phihong USA Corporation  
47800 Fremont Boulevard  
Fremont, CA 94538  
Telephone: (510) 445-0100  
[www.phihong.com](http://www.phihong.com)

NOTE: This model has/The models in this product series have been tested and found to comply with the limits for a Class B digital device, pursuant to part 15 of the FCC Rules. These limits are designed to provide reasonable protection against harmful interference in a residential installation. This equipment generates, uses and can radiate radio frequency energy and, if not installed and used in accordance with the instructions, may cause harmful interference to radio communications. However, there is no guarantee that interference will not occur in a particular installation. If this equipment does cause harmful interference to radio or television reception, which can be determined by turning the equipment off and on, the user is encouraged to try to correct the interference by one or more of the following measures:

- Reorient or relocate the receiving antenna.
- Increase the separation between the equipment and receiver.
- Connect the equipment into an outlet on a circuit different from that to which the receiver is connected.
- Consult the dealer or an experienced radio/TV technician for help.

Changes or modifications to equipment not expressly approved by PHIHONG could void the user's authority to operate the equipment.

## X-ON Electronics

Largest Supplier of Electrical and Electronic Components

*Click to view similar products for [Wall Mount AC Adapters](#) category:*

*Click to view products by [Phihong](#) manufacturer:*

Other Similar products are found below :

[ADP-163 E](#) [ADP-167 J](#) [ADP-168 K](#) [ADP-159 A](#) [ADP-165 G](#) [PSAC05A-050L6](#) [RLMDT361800](#) [P25A14E-R1C](#) [DA10-050CH](#) [DA5-050US-B](#) [DA10-050UK](#) [RLMDT701800](#) [WSU120-2000-R13](#) [WSU180-1330-13](#) [AC-DC ADAPTER 160W](#) [WSU120-2000-13](#) [WSU150-0800-13](#) [WSU075-3200-13](#) [WSU060-2000-R13](#) [WSU090-2500-13](#) [WSU050-2000-R13](#) [WSU240-1000-13](#) [WSU240-0500-R13](#) [WSU075-1500-13](#) [WSU050-3000-13](#) [WSU120-1500-13](#) [WSU120-1500-R13](#) [WSU045-1500-13](#) [WSU240-0750-13](#) [WSU090-2500-R13](#) [WSU240-1500-13](#) [WSU180-0660-13](#) [WSU075-1500-R13](#) [WSU090-1300-13](#) [WSU180-1330-R13](#) [BB-SMI1812VP230C1](#) [WSU050-1500-13](#) [WSU090-0800-13](#) [WSU120-0700-13](#) [WSU045-3000-13](#) [WSU180-0450-13](#) [WSU150-0560-R13](#) [WSU135-0880-13](#) [WSU120-3000-13](#) [WSU120-1000-R13](#) [WSU090-1300-R13](#) [WSU060-4000-13](#) [WSU060-1250-R13](#) [WSU060-1250-13](#) [WSU045-2000-R13](#)