



## DC-DC Power over Ethernet Splitter Fully Compliant IEEE802.3af PD Power Supply



### Features

- Fully Compliant IEEE802.3af DC Power Supply
- DC Good LED
- Non-Vented Case
- Gigabit Compatible
- Full Protection OTP, OCP, OVP
- 1 Year Warranty

### Applications

- IP Telephones
- Wireless Network Access Points
- Blue Tooth Access Points
- Security Cameras
- IP Print Servers

### Safety Approvals

- CE

### Mechanical Characteristics

- Length: 100mm (3.94in)
- Width: 56mm (2.2in)
- Height: 28mm (1.1in)
- Weight: 0.2Kg (7.05oz)

### Output Specifications

Model	DC Output Voltage	Output Current
POE14-033-R	3.3V	2.5A
POE14-050-R	5V	2.5A
POE14-120-R	12V	1.17A

Reference files: [POE14\\_user\\_manual.pdf](#)

**INPUT:**

**Input Voltage Range**

36 to 56V DC; Receives power from either data or spare pairs

**Input Current**

0.6A (DC) 36 V DC at max load

**Inrush Current**

0.4A maX

**OUTPUT:**

**Regulation**

Line and Load ±5%

**Ripple**

12V model 120mVp-p

5V & 3.3V models 75mVp-p

**Efficiency<sup>2</sup>**

72% (typical) at max load and 48V DC

**Output Power**

Output Model	Limit
3.3V	8.25W at 36-57V DC
5V	12.5W at 36-57V DC
12V	12W at 36-55V DC
12V	14W at 55-57V DC

**ENVIRONMENTAL:**

**Temperature**

Operation	0 to +40°C
Non-Operation	-25 to +65°C
Humidity	5 to 90%

**Immunity**

ESD:	EN61000-4-2 Level 3
RS:	EN61000-4-3 Level 2
EFT:	EN61000-4-4 Level 2
Surge:	EN61000-4-5 Level 3
CS:	EN61000-4-6 Level 2
Voltage Dips:	EN61000-4-11 Harmonic: EN61000-3-2

Note: CS, Surge, Harmonics and Dips tested with POE20U

**EMC**

Complies with FCC Class B

Complies with EN55032 Class B

**Dielectric withstand (HI-POT) Test**

1500V AC for 1 minute, 10mA

**Insulation Resistance**

Primary to secondary: >10M Ohm 500V DC

**FEATURES:**

**Short Circuit Protection**

Output can be shorted permanently without damage

**Over Voltage Protection**

By Zener clamping

**Indicators**

Green LED – Output Good

**Input and Output Data Connector**

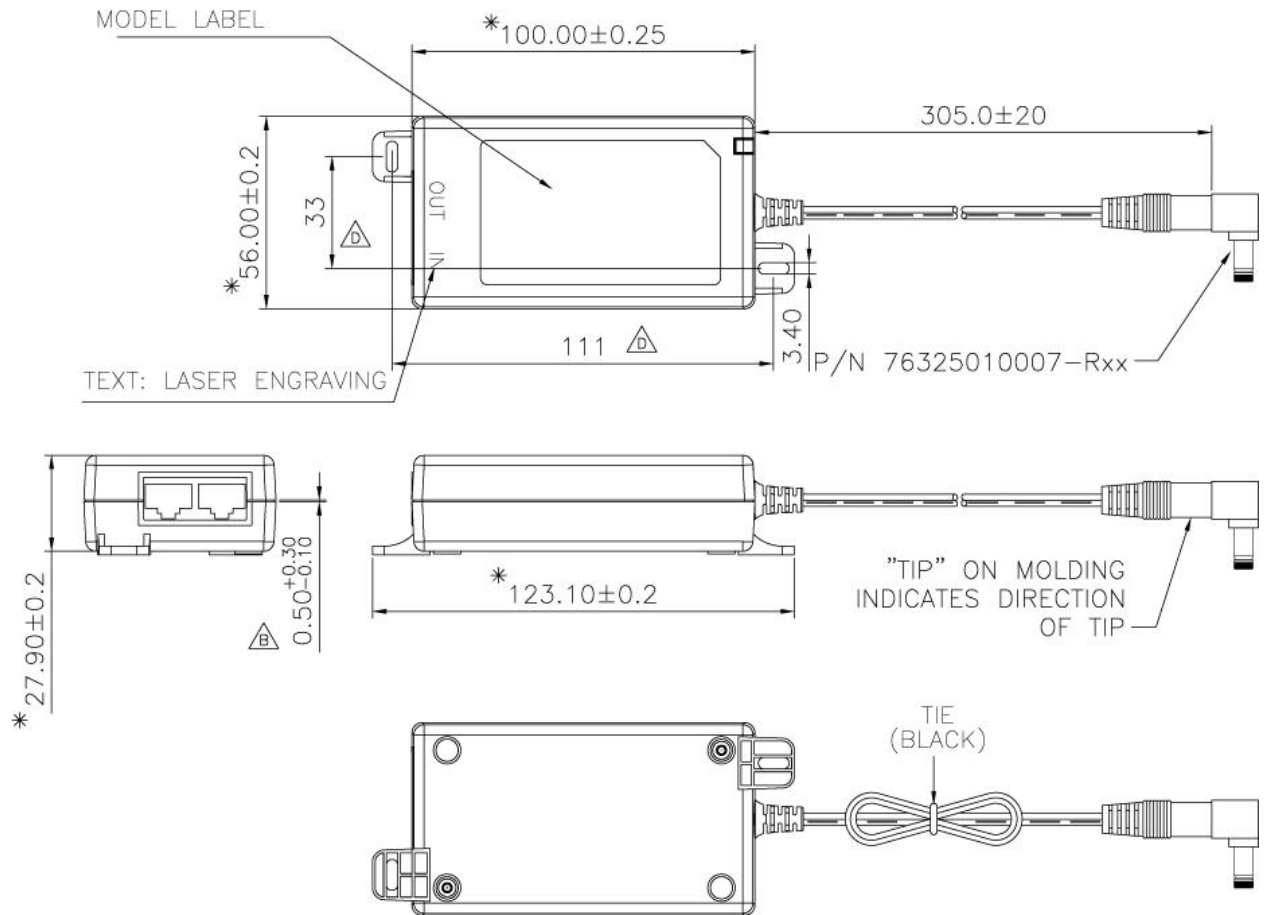
RJ45

**Output Connector**

Center Positive Barrel 9mm x 2.5mm x 5.5mm. Tip is user changeable for other sizes. Note: The + molded on replaceable tip must line up with the word “tip” on DC cord to ensure that the center pin DC jack is +.

Notes:

1. The characteristics defined are at ambient temperature of 25°C unless otherwise specified
2. Efficiency is measured after 30 minutes burn-in





**Supplier's Declaration of Conformity  
47 CFR § 2.1077 Compliance Information**

Phihong USA Corporation  
47800 Fremont Boulevard  
Fremont, CA 94538  
Telephone: (510) 445-0100  
[www.phihong.com](http://www.phihong.com)

*This device complies with/The devices in this product series comply with part 15 of the FCC Rules. Operation is subject to the following two conditions: (1) This device may not cause harmful interference, and (2) this device must accept any interference received, including interference that may cause undesired operation.*

## X-ON Electronics

Largest Supplier of Electrical and Electronic Components

*Click to view similar products for [Power over Ethernet - PoE category](#):*

*Click to view products by [Phihong manufacturer](#):*

Other Similar products are found below :

[PD-3504G/AC](#) [PD-9601G/AC](#) [PD-3504G/AC-EU](#) [180993-3001](#) [GHOSTBRIDGE-POE](#) [EKI-2701HPI-AE](#) [EKI-2701MPI-AE](#) [EKI-2701MPI-R-AE](#) [EKI-2701PSI-AE](#) [EKI-2741FHPI-AE](#) [PALS400-2482G](#) [PALS600-2482G](#) [AWPOE](#) [PD-9001GC/AC](#) [PD-9001GI/DC](#) [PD-9001GO-ET/AC](#) [PD-9001GR/AT/AC-EU](#) [PD-9601GC/AC-EU](#) [PD-9601GC/AC](#) [PD-9606GC/AC-EU](#) [PD-9612GC/AC-EU](#) [PD-9624GC/AC-EU](#) [PD-9624GC/AC-US](#) [PD-9624GC/AC](#) [PD-9001GR/AT/AC-JP](#) [PD-9501GC/AC-EU](#) [PD-6506G/AC/M](#) [PD-9001GRAC](#) [PD-OUT/MBK/G](#) [NPS-30W-B](#) [NPS-30W-WOC](#) [PD-9501GO-ET/AC](#) [PD-9601G/AC-EU](#) [PD-OUT/MBK/ET](#) [PD-OUT/MBK/S](#) [POE14-137-R](#) [POE16R-560L6](#) [POE16S-1AFG-R](#) [POE30S-1ATG-R](#) [POE370U-480-16N-R](#) [POE370U-480-16-R](#) [POE370U-480-8N-R](#) [POE370U-480-8-R](#) [POE45-120-R](#) [POE576U-16ATN-R](#) [POE60D-560G-R](#) [POE60S-1BT-R](#) [POE60S-4AF-R](#) [POE60U-1BT-5](#) [POE90U-1BT6-R](#)