



Single Port 15.4W Power over Ethernet Desktop POE15x-560 Passive Power Injector



Features

- No Detection – passive injector
- Non-Vented Case
- Small case size
- 1 Year Warranty
- Gigabit data rates
- Full Protection OCP, OVP
- Level VI Efficient
- Low Cost

Applications

- IP Telephones
- Wireless Network Access Points
- Security Cameras

Safety Approvals

- cUL/UL 60950
- IEC/EN 60950-1
- CE
- LPS

Mechanical Characteristics

- Length: 106mm (4.17in)
- Width: 40mm (1.57in)
- Height: 27mm (1.1in)
- Weight: 100g (3.5oz.)

Output Specifications

Model	DC Output Voltage	Load		Regulation		Input Connector	Output Power
		Min.	Max.	Line	Load		
POE15M-560	56V	0A	0.275A	±5%		C6	15.4W
POE15W-560	56V	0A	0.275A	±5%		C8	15.4W

Phihong is not responsible for any error, and reserves the right to make changes without notice. Please visit our website at www.phihong.com for the most up-to-date specifications and contact information.

INPUT:

AC Input Voltage Range

90 to 264VAC

AC Input Voltage Rating

100 to 240VAC

AC Input Current

0.5A (RMS) maximum for 90VAC

0.35A (RMS) maximum for 240VAC

Leakage Current

0.25mA maximum @ 254VAC 60Hz

AC Input Frequency

47-63Hz

AC Inrush Current

30A for 115VAC @max load

60A for 230VAC @max load

No Load Power Consumption

<100mW at 115Vac

<75mW at 230Vac

OUTPUT:

Total Output Power

15.4W

Ripple and Regulation

200mV max @25C, 115VAC, 60Hz & 230VAC, 50Hz

Efficiency

Meets Level VI requirements

Hold-up time:

16mS minimum at maximum load and 120VAC, 60Hz

ENVIRONMENTAL:

Temperature

Operation -20 to +50°C

Non-operation -25 to +75°C

Humidity 5 to 90%

EMC

FCC Part 15 Class B

EN55022 Class B

Immunity EN50082-1

ESD: EN61000-4-2. Level 3

RS: EN61000-4-3. Level 2

EFT: EN61000-4-4. Level 2

Surge: EN61000-4-5. Level 3

CS: EN61000-4-6. Level 2

Voltage Dips EN61000-4-11

Harmonic: EN61000-3-2 Class A

Isolation Test

Primary to Secondary: 3000VAC for 1 second 10mA

Insulation Resistance

Primary to Secondary: >10M OHM 500VDC

FEATURE:

Over Voltage Protection

Voltage between 2 SELV conductors shall not exceed 42.4Vpk or 60VDC for longer than 0.2 sec. Limit of 71 VPK or 120VDC shall not be exceeded – latching.

Over Current Protection

≤400mA

Short Circuit Protection

Continuous, no damage

Indicator

Solid BLUE: Power “ON”

Data in/Output Connector

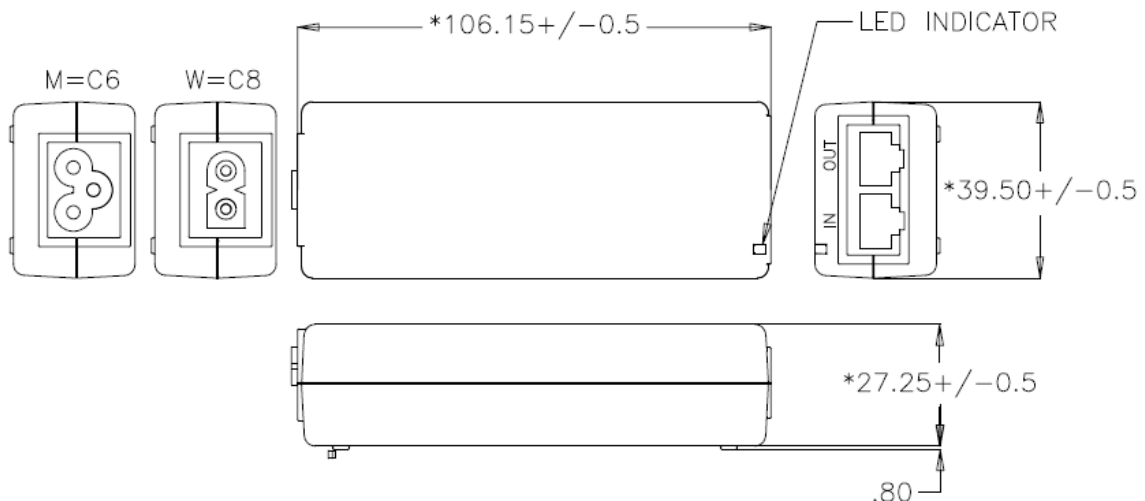
RJ45

E option = Earth grounded shielded Rj45 connectors

Output Connection

+pin 3,6 / -pins 1,2

Dimension Diagram Unit: mm (inch)



X-ON Electronics

Largest Supplier of Electrical and Electronic Components

Click to view similar products for [Power over Ethernet - PoE category](#):

Click to view products by [Phihong manufacturer](#):

Other Similar products are found below :

[PD-3504G/AC](#) [PD-9601G/AC](#) [PD-3504G/AC-EU](#) [180993-3001](#) [GHOSTBRIDGE-POE](#) [EKI-2701HPI-AE](#) [EKI-2701MPI-AE](#) [EKI-2701MPI-R-AE](#) [EKI-2701PSI-AE](#) [EKI-2741FHPI-AE](#) [PALS400-2482G](#) [PALS600-2482G](#) [AWPOE](#) [PD-9001GC/AC](#) [PD-9001GI/DC](#) [PD-9001GO-ET/AC](#) [PD-9001GR/AT/AC-EU](#) [PD-9601GC/AC-EU](#) [PD-9601GC/AC](#) [PD-9606GC/AC-EU](#) [PD-9612GC/AC-EU](#) [PD-9624GC/AC-EU](#) [PD-9624GC/AC-US](#) [PD-9624GC/AC](#) [PD-9001GR/AT/AC-JP](#) [PD-9501GC/AC-EU](#) [PD-6506G/AC/M](#) [PD-9001GRAC](#) [PD-OUT/MBK/G](#) [NPS-30W-B](#) [NPS-30W-WOC](#) [PD-9501GO-ET/AC](#) [PD-9601G/AC-EU](#) [PD-OUT/MBK/ET](#) [PD-OUT/MBK/S](#) [POE14-137-R](#) [POE15M-560E-R](#) [POE16R-560L6](#) [POE16S-1AFG-R](#) [POE30S-1ATG-R](#) [POE370U-480-16N-R](#) [POE370U-480-16-R](#) [POE370U-480-8N-R](#) [POE370U-480-8-R](#) [POE45-120-R](#) [POE576U-16ATN-R](#) [POE60D-560G-R](#) [POE60S-1BT-R](#) [POE60S-4AF-R](#) [POE60U-1BT-5](#)