



Single Port 15.4W Power over Ethernet Interchangeable* Wall Plug Adapter



*Plugs sold separately

Features

- DOE Level VI Compliant
- Fully Compliant with IEEE802.3af
- Non-Vented Case
- Field Interchangeable AC Clips*
- Limited Power Source (LPS)
- 1G and 2.5G Data Speed Options
- Low Cost
- Full Protection OCP, OVP
- Diagnostic LEDs
- 1 Year Warranty
- Australian GEMS Registered

Applications

- IP Telephones
- Wireless Network Access Points
- Blue Tooth Access Points
- Security Cameras
- IP Print Servers

Safety Approvals – varies per model

- cUL/UL 62368-1
- AS/NZS 62368.1
- IEC 62368-1

Mechanical Characteristics

- Length: 80mm (3.15in)
- Width: 45mm (1.77in)
- Height: 33mm (1.30in)
- Weight: 114g (4.0oz.)

Output Specifications

Model	DC Output Voltage	Load		Output Power	Data Speed	Regulation	
		Min.	Max.			Line	Load
POE16R-1AFG6-R ¹	56V	10mA	0.275A	15.4W	1G	+1V/-2V	
POE16R-1AFG6-2-R	56V	10mA	0.275A	15.4W	2.5G	+1V/-2V	

Notes:

1. Special order item. Minimum order quantity applies.

INPUT:

AC Input Voltage Range
90 to 264VAC

AC Input Voltage Rating
100 to 240VAC

AC Input Current
0.55A (RMS) max for 90VAC
0.35A (RMS) max for 240VAC

Leakage Current
0.5mA max @ 254VAC/50Hz

AC Input Frequency
47-63Hz

AC Inrush Current
30A (RMS) max for 115VAC
60A (RMS) max for 230VAC

OUTPUT:
Total Output Power
15.4W

Ripple and Regulation²
200mV max, 115VAC/60Hz and
230VAC/50Hz

Efficiency³
DOE Level VI
Australian GEMS

Transient O/P Voltage Protection
60V max at switch on/off, any AC line
phase

ENVIRONMENTAL:

Temperature

Operation -20 to +45°C
Non-operation -20 to +75°C
Humidity 5 to 90%

EMC

Complies with FCC Part 15 Class B
Complies with EN55032 Class B
Complies with AS/NZS CISPR 32 Class B

Immunity

Harmonic: EN61000-3-2 Class A
ESD: EN61000-4-2. Contact 6KV
Air 8KV. Criteria B
RS: EN61000-4-3. 3V/M
EFT: EN61000-4-4. 1KV input
0.5KV output
Surge: EN61000-4-5. L-N 1KV
L-G 2KV
CS: EN61000-4-6. 3V
Voltage Dips EN61000-4-11 Class 3

Dielectric withstand (HI-POT)
4242VDC for 1 sec, 10mA, 4 sec ramp time

Insulation Resistance
Primary to Secondary: >10M OHM 500VDC

FEATURES:
Over Current Protection
≤450mA

Over Voltage Protection
< 120VDC – Latching.

Short Circuit Protection
300-450mA for 50-75ms

Hold-up Time
16mS min. 120VAC/60Hz and max load

Data in/Output Connector
RJ45

Output Connection
+pin 3,6 / -pins 1,2

Warranty
1 Year

Notes:

1. The characteristics defined are at ambient temperature of 25°C unless otherwise specified
2. Measured with by-pass capacitors 0.1uf/10uf at output connector terminal and oscilloscope set at 20Mhz (tested by oscilloscope). 20 minutes warm-up required when operating at negative temperature.
3. Efficiency is measured after 30 minutes burn-in

LED Indicators

Bicolor LED GREEN/YELLOW

Blinking GREEN – Unit is “ON” Active with No Load

Solid GREEN – Unit has detected a Valid IEEE802.3af Load

Blinking YELLOW/GREEN – Unit has detected an Invalid Load

Blinking YELLOW – Unit is in Over Load/Short Condition

AC Input Clips (sold separately)

RPA– AB01B-H: US

RPB–AB01B-H: Brazil

RPC– AB01B-H: China

RPE– AB01B-H: Europe

RPH – AB01B-H: Korea

RPI– AB01B-H: India

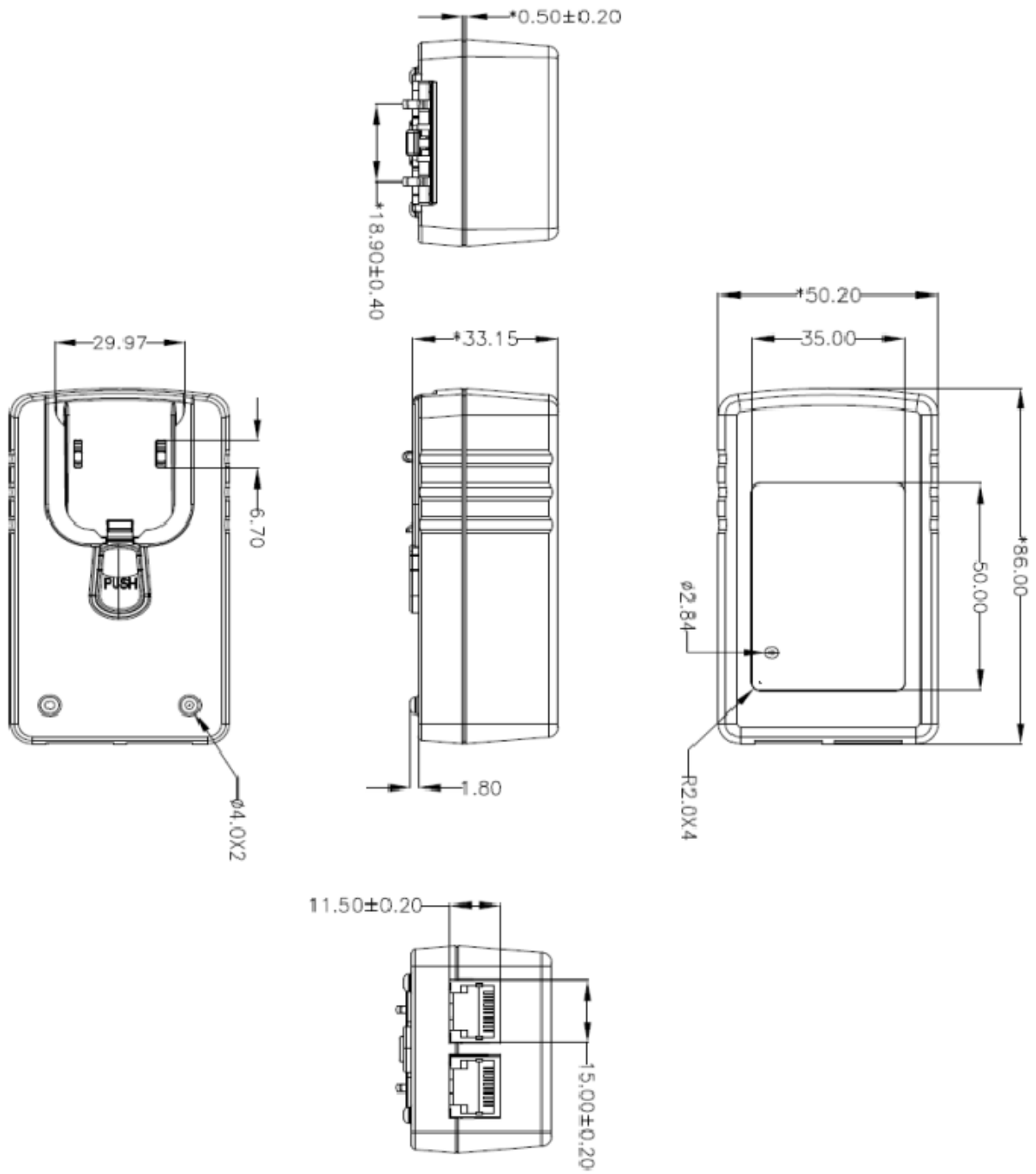
RPK– AB01B-H: UK

RPN – AB01B-H: Argentina

RPS – AB01B-H: Australia

RPBAG – AB01B-H: RPA-AB01B-H, RPE-AB01B-H, RPK-AB01B-H and RPS-AB01B-H

Dimensional Diagram Unit: mm






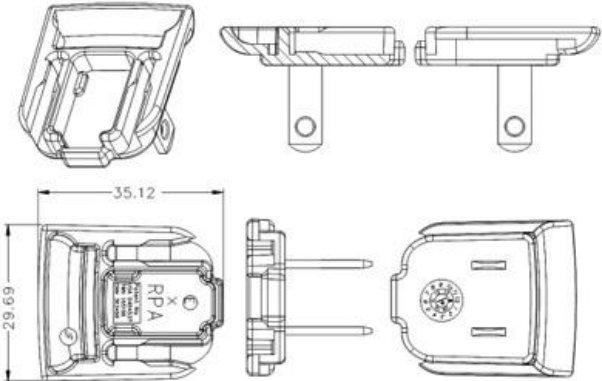

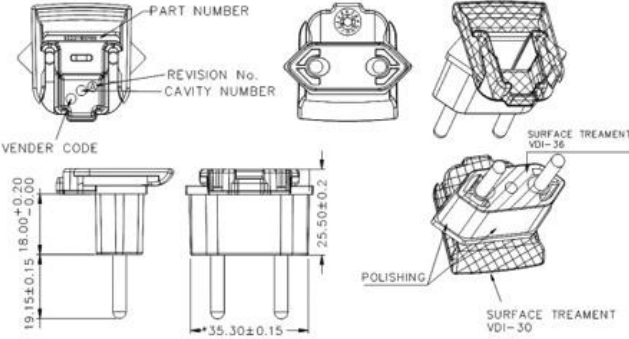

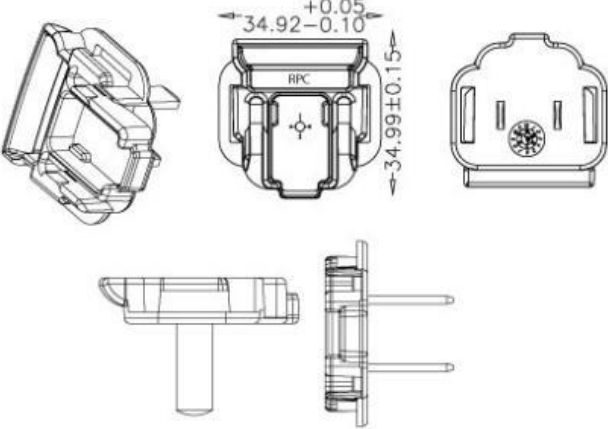
**Supplier's Declaration of Conformity
47 CFR § 2.1077 Compliance Information**


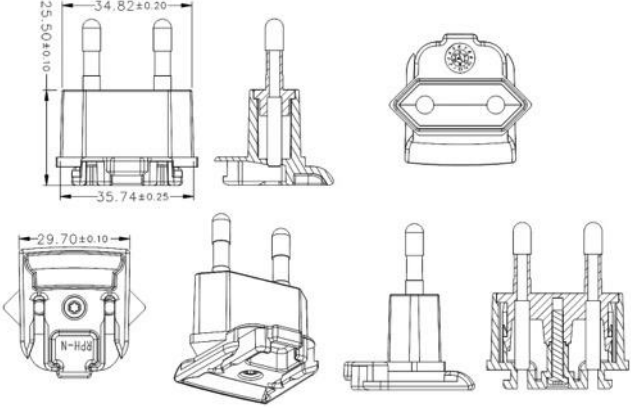

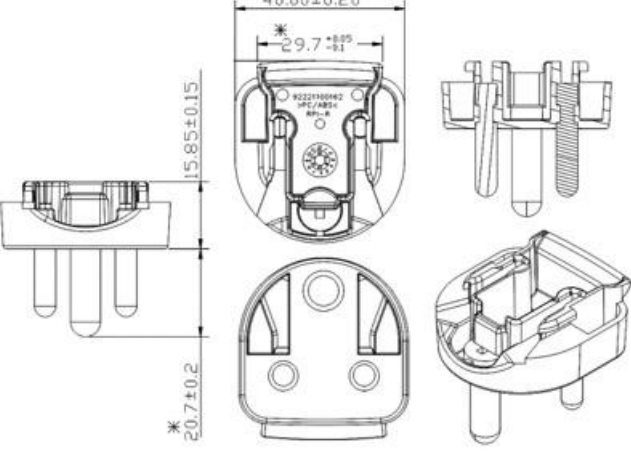

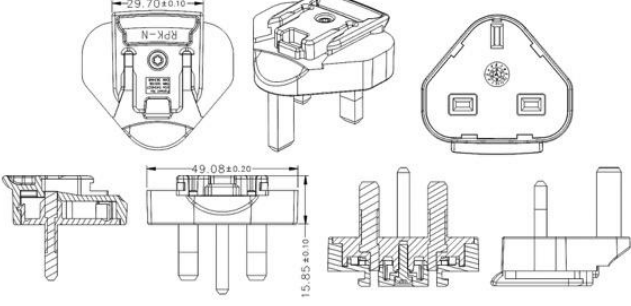
Phihong USA Corporation
47800 Fremont Boulevard
Fremont, CA 94538
Telephone: (510) 445-0100
www.phihong.com


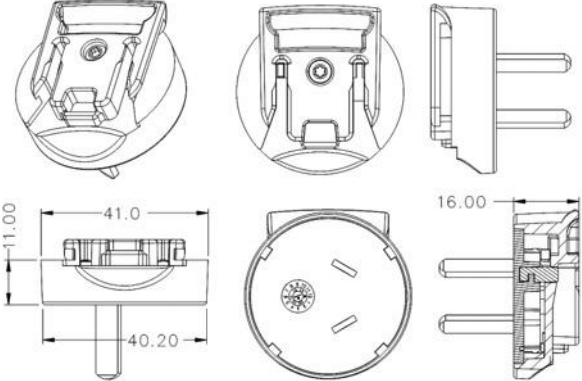

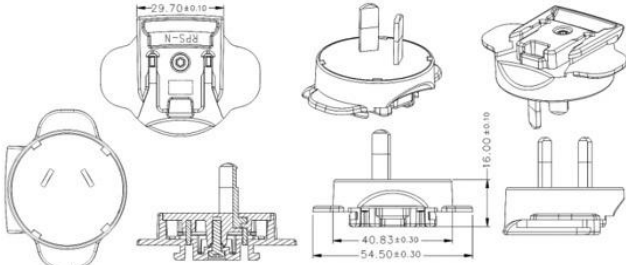

This device complies with/The devices in this product series comply with part 15 of the FCC Rules. Operation is subject to the following two conditions: (1) This device may not cause harmful interference, and (2) this device must accept any interference received, including interference that may cause undesired operation.



AC Input Clips – Sold Separately

Model	Photo	Description	Outline Drawing - mm
RPA-AB01B-H		US Clip	
RPB-AB01B-H		Brazil Clip	
RPC-AB01B-H		China Clip	

Model	Photo	Description	Outline Drawing - mm
RPH-AB01B-H		Korea Clip	
RPI-AB01B-H		India Clip	
RPK-AB01B-H		UK Clip	

Model	Photo	Description	Outline Drawing – mm
RPN-AB01B-H		Argentina Clip	
RPS-AB01B-H		Australia Clip	
RPBAG-AB01B-H	<p>RPA-AB01B-H, RPE-AB01B-H, RPK-AB01B-H and RPS-AB01B-H interchangeable clips in a plastic bag.</p> 		

X-ON Electronics

Largest Supplier of Electrical and Electronic Components

Click to view similar products for [Power over Ethernet - PoE category](#):

Click to view products by [Phihong manufacturer](#):

Other Similar products are found below :

[PD-3504G/AC](#) [PD-9601G/AC](#) [PD-3504G/AC-EU](#) [180993-3001](#) [GHOSTBRIDGE-POE](#) [EKI-2701HPI-AE](#) [EKI-2701MPI-5GPS-A](#) [EKI-2701MPI-5G-AE](#) [EKI-2701MPI-AE](#) [EKI-2701MPI-R-AE](#) [EKI-2701PSI-AE](#) [MAX5996CATE+](#) [PALS400-2482G](#) [PALS600-2482G](#) [AWPOE](#) [OAK-D-PoE](#) [PD-9001GC/AC](#) [PD-9001GI/DC](#) [PD-9001GO-ET/AC](#) [PD-9001GR/AT/AC-EU](#) [PD-9501GCI/DC](#) [PD-9601GC/AC-EU](#) [PD-9601GC/AC](#) [PD-9606GC/AC-EU](#) [PD-9612GC/AC-EU](#) [PD-9624GC/AC-EU](#) [PD-9624GC/AC-US](#) [PD-9624GC/AC](#) [PD-9001GR/AT/AC-JP](#) [PD-9501GC/AC-EU](#) [PD-6506G/AC/M](#) [PD-9001GRAC](#) [PD-OUT/MBK/G](#) [PS-56V-POE-EU-1](#) [NPS-30W-B](#) [NPS-30W-WOC](#) [PD-9501GO-ET/AC](#) [PD-9601G/AC-EU](#) [PD-OUT/MBK/ET](#) [PD-OUT/MBK/S](#) [POE14-137-R](#) [POE16R-1AFG6-2-R](#) [POE16R-560L6](#) [POE16S-1AFG-R](#) [POE240U-4BT-N-R](#) [POE30S-1ATG-R](#) [POE370U-480-16N-R](#) [POE370U-480-16-R](#) [POE370U-480-8N-R](#) [POE370U-480-8-R](#)