



## 21W DC-DC Power over Ethernet Splitter POE21 Gigabit IEEE802.3at Compliant Splitter



### Features

- Compliant with the IEEE802.3at Standard
- DC Good LED
- Gigabit Compatible
- Full Protection OTP, OCP, OVP
- Works with any layer 1 IEEE802.3at Power Sourcing Equipment
- User Changeable Tips
- Non-Vented Case
- 1 Year Warranty

### Applications

- IP Telephones
- Wireless Network Access Points
- Security Cameras
- IP Print Servers

### Safety Approvals

- CE

### Mechanical Characteristics

- Length: 100mm (3.97in)
- Width: 56mm (2.2in)
- Height: 27.9mm (1.1in)
- Weight: 0.142Kg (0.311lb)

### Output Specifications

Model	DC Output Voltage	Output Current
POE21-120-R <sup>1</sup>	12V	1.75A
POE21-240-R <sup>1</sup>	24V	0.875A

Notes:

1. Can only be used with unshielded cables

**INPUT:****Input Voltage Range**

Receives power from either data or spare pairs 45-57V DC

**Input Current**

0.6A (RMS) maximum

**OUTPUT:****Regulation**

Line and Load  $\pm 4\%$

**Ripple**

12V 120mVp-p

24V 240mVp-p

**Efficiency**

80% (typical) at maximum load 48V DC

**O/P Voltage Protection**

In case of output voltage overload, crowbar will short

**ENVIRONMENTAL****Temperature**

Operation 0 to +40°C

Non-operation -20 to +65°C

Humidity 5 to 90%

**Immunity**

ESD: EN61000-4-2 Level 3

RS: EN61000-4-3 Level 2

**EMC**

Complies with FCC Class B

Complies with EN55032 Class B

**Dielectric withstand (HI-POT) Test**

Primary to secondary: 2121VDC for 1 minute  
10mA

**Insulation Resistance**

Primary to secondary: >10M Ohm 500VDC

**FEATURES:****Indicators**

GREEN LED – Output Good

**Short Circuit Protection**

Output can be shorted permanently without damage

**Input and Output Data Connector**

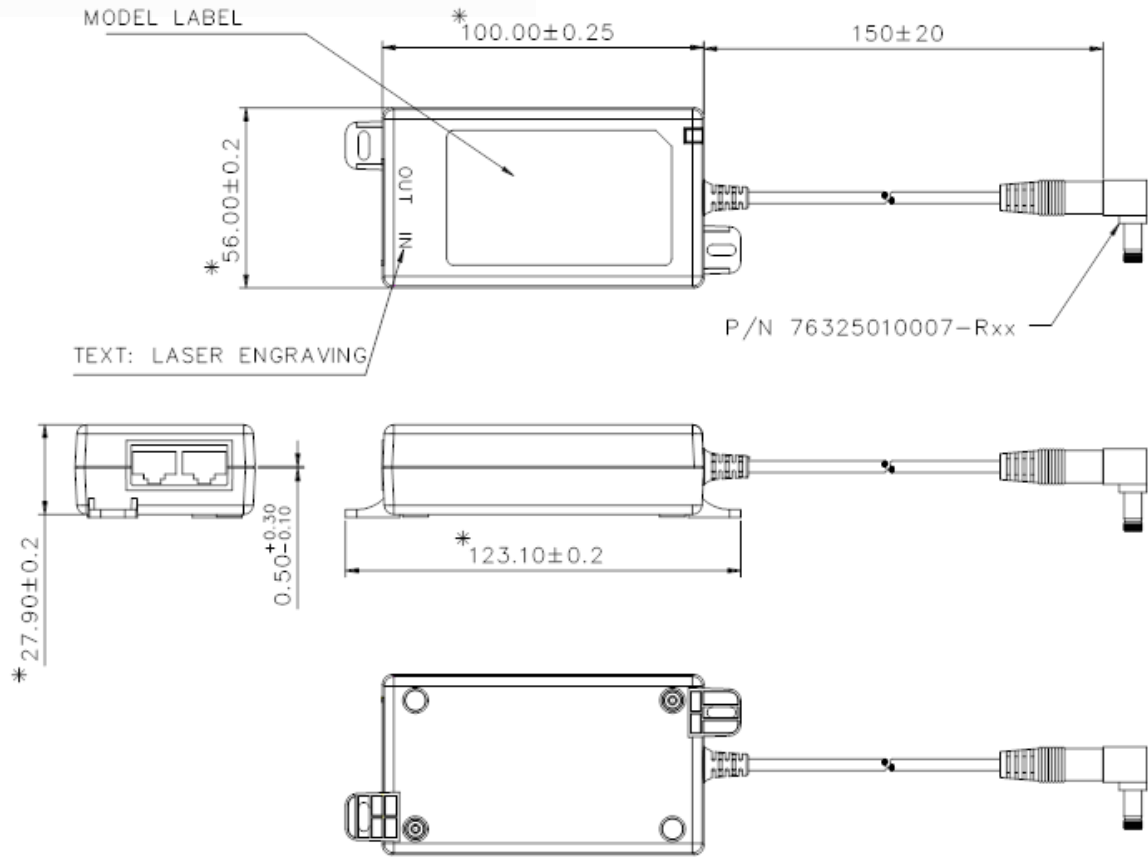
RJ45

**Output Connector**

Center Positive Barrel 12mm x 2.1mm x 5.5mm. Tip is user changeable for other sizes



**Dimension Diagram Unit: mm**





**Supplier's Declaration of Conformity  
47 CFR § 2.1077 Compliance Information**

Phihong USA Corporation  
47800 Fremont Boulevard  
Fremont, CA 94538  
Telephone: (510) 445-0100  
[www.phihong.com](http://www.phihong.com)

*This device complies with/The devices in this product series comply with part 15 of the FCC Rules. Operation is subject to the following two conditions: (1) This device may not cause harmful interference, and (2) this device must accept any interference received, including interference that may cause undesired operation.*

## X-ON Electronics

Largest Supplier of Electrical and Electronic Components

*Click to view similar products for [Power over Ethernet - PoE category](#):*

*Click to view products by [Phihong manufacturer](#):*

Other Similar products are found below :

[PD-3504G/AC](#) [PD-9601G/AC](#) [PD-3504G/AC-EU](#) [180993-3001](#) [GHOSTBRIDGE-POE](#) [EKI-2701HPI-AE](#) [EKI-2701MPI-AE](#) [EKI-2701MPI-R-AE](#) [EKI-2701PSI-AE](#) [EKI-2741FHPI-AE](#) [PALS400-2482G](#) [PALS600-2482G](#) [AWPOE](#) [PD-9001GC/AC](#) [PD-9001GI/DC](#) [PD-9001GO-ET/AC](#) [PD-9001GR/AT/AC-EU](#) [PD-9601GC/AC-EU](#) [PD-9601GC/AC](#) [PD-9606GC/AC-EU](#) [PD-9612GC/AC-EU](#) [PD-9624GC/AC-EU](#) [PD-9624GC/AC-US](#) [PD-9624GC/AC](#) [PD-9001GR/AT/AC-JP](#) [PD-9501GC/AC-EU](#) [PD-6506G/AC/M](#) [PD-9001GRAC](#) [PD-OUT/MBK/G](#) [NPS-30W-B](#) [NPS-30W-WOC](#) [PD-9501GO-ET/AC](#) [PD-9601G/AC-EU](#) [PD-OUT/MBK/ET](#) [PD-OUT/MBK/S](#) [POE14-137-R](#) [POE15M-560E-R](#) [POE16R-560L6](#) [POE16S-1AFG-R](#) [POE30S-1ATG-R](#) [POE370U-480-16N-R](#) [POE370U-480-16-R](#) [POE370U-480-8N-R](#) [POE370U-480-8-R](#) [POE45-120-R](#) [POE576U-16ATN-R](#) [POE60D-560G-R](#) [POE60S-1BT-R](#) [POE60S-4AF-R](#) [POE60U-1BT-5](#)