



## Single Port 30W Power-over-Ethernet Interchangeable\* Wall Plug Adapter



### Features

- DOE Level VI Compliant
- CoC Tier 2 Compliant
- Fully Compliant with IEEE802.3at
- Non-Vented Case
- Field Interchangeable AC Clips\*
- 2.5G Data Speed
- Low Cost
- Full Protection OCP, OVP
- Diagnostic LEDs
- 1 Year Warranty

### Applications

- IP Telephones
- Wireless Network Access Points
- Blue Tooth Access Points
- Security Cameras
- IP Print Servers

### Safety Approvals – Pending

- cUL/UL 62368-1
- IEC 62368-1

### Mechanical Characteristics

- Length: 91mm (3.58in)
- Width: 60.2mm (2.37in)
- Height: 35mm (1.38in)
- Weight: 300g (0.66lbs)

### Output Specifications

Model	DC Output Voltage	Load		Output Power	Data Speed	Regulation <sup>1</sup>	
		Min.	Max.			Line	Load
POE30R-1ATP-R	56V	10mA	0.536A	30W	2.5G	+1V/-2V	

Note:

1. Voltage measured within 5cm of output connector

**INPUT:**

**AC Input Voltage Range**  
90 to 264VAC

**AC Input Voltage Rating**  
100 to 240VAC

**AC Input Current**  
0.8A (RMS) max

**Leakage Current**  
0.25mA max

**AC Input Frequency**  
47-63Hz

**AC Inrush Current**  
70A max for 240VAC  
Using Chroma 61504 AC Source  
(Cold Start @ 25°C), (CPK > 1.5 at PP)

**OUTPUT:**

**Total Output Power**  
30W @40°C  
15W @50°C

**Ripple<sup>3</sup>**  
200mV max @25°C

**Efficiency<sup>4</sup>**  
DOE Level VI, CoC Tier 2

**Transient O/P Voltage Protection**  
60V max at switch on/off, any AC line phase

**ENVIRONMENTAL:****Temperature**

Operation -10 to +50°C  
Non-operation -20 to +70°C  
Operating Humidity 5% to 90% RH

**EMC**

Complies with FCC Part 15 Class B  
Complies with EN55032 Class B

**Immunity**

Harmonic: EN61000-3-2 Class A  
ESD: EN61000-4-2 Contact 8KV  
Air 15KV. Criteria A  
RS: EN61000-4-3 3V/M  
EFT: EN61000-4-4 1KV, Criteria A  
Surge: EN61000-4-5 L-L 2KV,  
Criteria A  
CS: EN61000-4-6 3V  
Voltage Dips EN61000-4-11 Class 3

**Dielectric withstand (HI-POT)**

4242VDC for 1 min., 10mA

**Insulation Resistance**

Primary to Secondary: >10M OHM 500VDC

**FEATURES:**

**Over Current Protection**  
≤750mA

**Over Voltage Protection**  
<60VDC for <0.2 seconds. Non-latching.

**Short Circuit Protection**  
Non-latching. Auto-recovery.

**Hold-up Time**  
10mS min. 120VAC/60Hz and max load

**Data in/Output Connector**  
Unshielded RJ45

**Output Connection**  
+pin 3,6 / -pins 1,2

**Warranty**  
1 Year

**Notes:**

- The characteristics defined are at ambient temperature of 25°C unless otherwise specified
- Measured with by-pass capacitors 0.1uF/10uF at output connector terminal and oscilloscope set at 20Mhz (tested by oscilloscope). 20 minutes warm-up required when operating at negative temperature.
- Efficiency is measured after 30 minutes burn-in

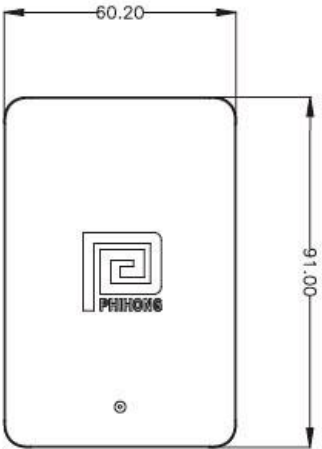
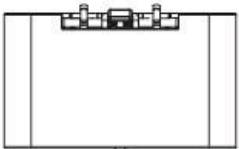
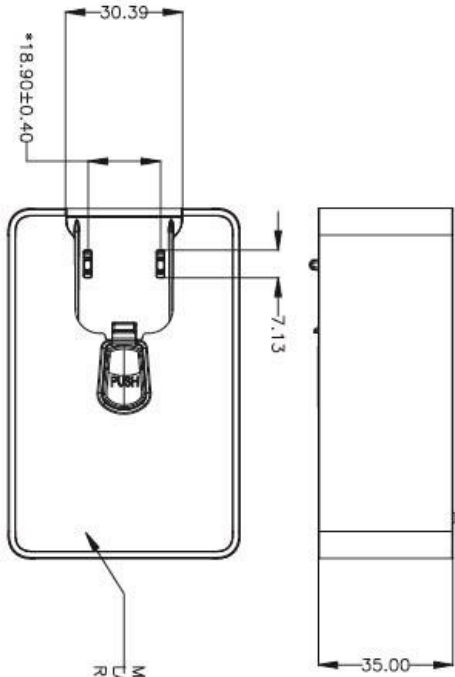
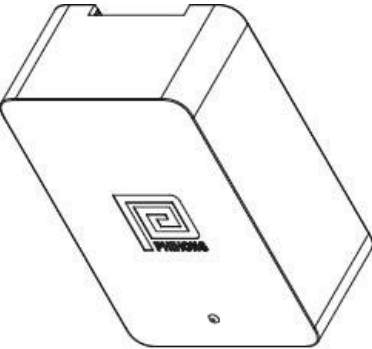
**LED Indicators**

Green blinking 1 per 3 seconds – Power Good  
Green LED blinking 1 per 5 seconds – No connection  
Yellow LED blinking – No Load  
Green/Yellow fast blink – Fault Detected  
Yellow solid – Over/Short Current Detected

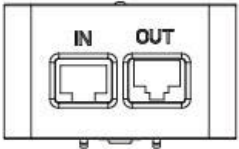
**AC Input Clips (sold separately)**

RPA– AB01B-H: US  
RPB–AB01B-H: Brazil  
RPC– AB01B-H: China  
RPE– AB01B-H: Europe  
RPH – AB01B-H: Korea  
RPI– AB01B-H: India  
RPK– AB01B-H: UK  
RPN – AB01B-H: Argentina  
RPS – AB01B-H: Australia  
RPBAG – AB01B-H: RPA-AB01B-H, RPE-AB01B-H, RPK-AB01B-H and RPS-AB01B-H

**Dimensional Diagram Unit: mm**



11






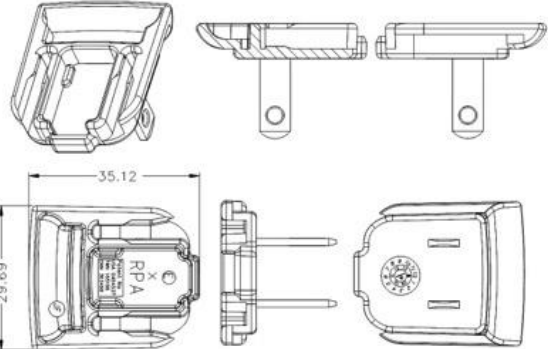

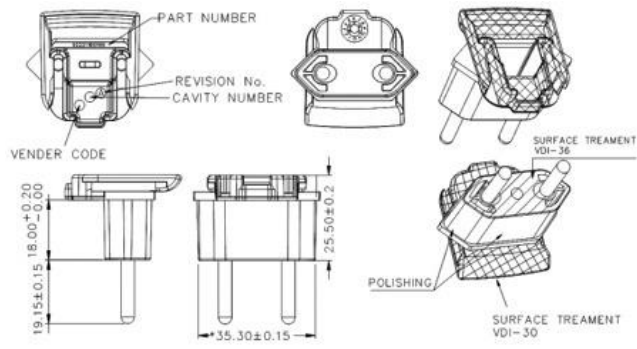

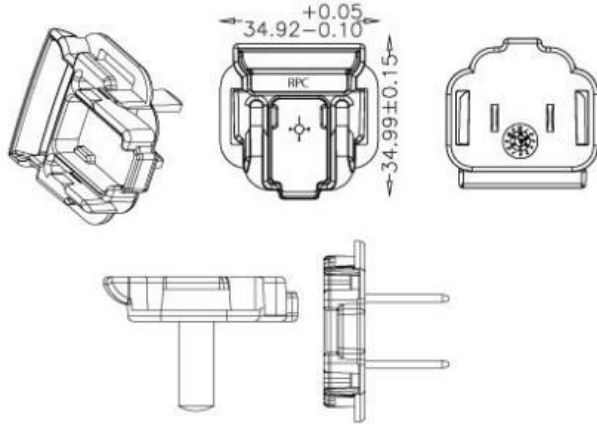
Supplier's Declaration of Conformity  
47 CFR § 2.1077 Compliance Information


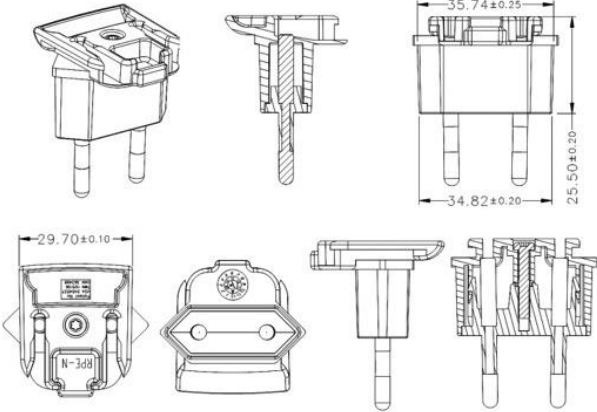

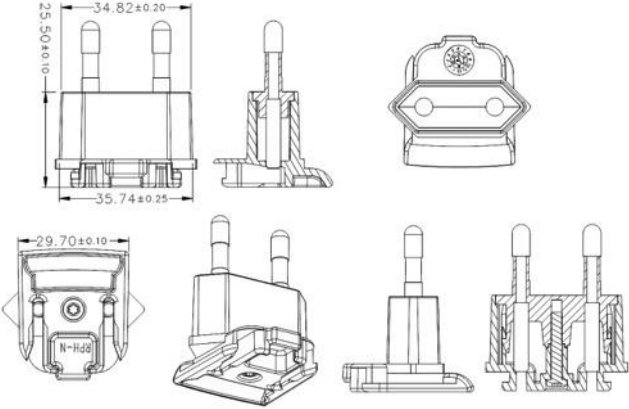

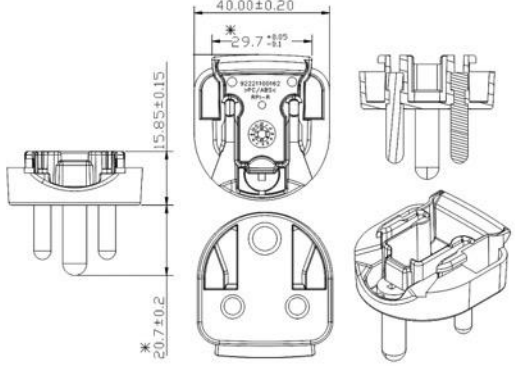

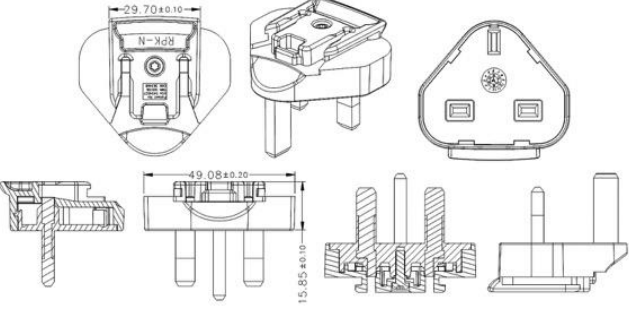
Phihong USA Corporation  
47800 Fremont Boulevard  
Fremont, CA 94538  
Telephone: (510) 445-0100  
[www.phihong.com](http://www.phihong.com)


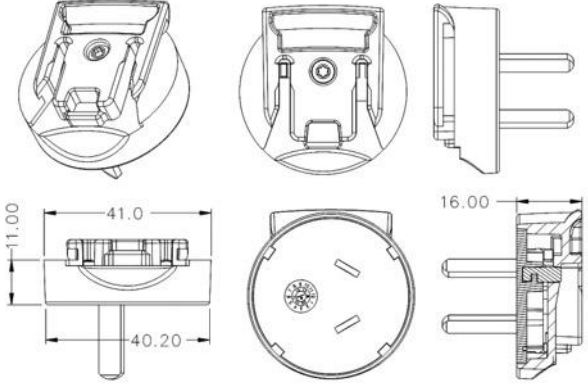

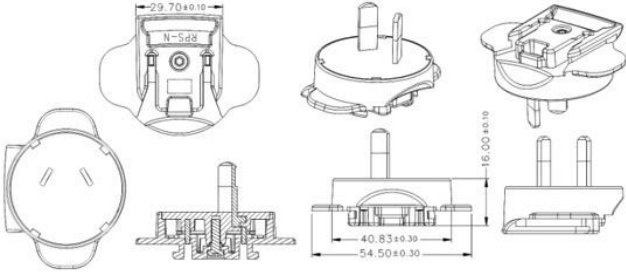

*This device complies with/The devices in this product series comply with part 15 of the FCC Rules. Operation is subject to the following two conditions: (1) This device may not cause harmful interference, and (2) this device must accept any interference received, including interference that may cause undesired operation.*



# AC Input Clips – Sold Separately

Model	Photo	Description	Outline Drawing - mm
RPA-AB01B-H		US Clip	
RPB-AB01B-H		Brazil Clip	 <p> PART NUMBER  REVISION No.  CAVITY NUMBER  VENDER CODE  19.15±0.15  18.00±0.00  25.50±0.2  35.30±0.15  SURFACE TREATMENT VDI-36  POLISHING  SURFACE TREATMENT VDI-30 </p>
RPC-AB01B-H		China Clip	 <p> +0.05  34.92-0.10  RPC  34.99±0.15 </p>

<p>RPE-AB01B-H</p>		<p>Europe Clip</p>	
<p>RPH-AB01B-H</p>		<p>Korea Clip</p>	
<p>RPI-AB01B-H</p>		<p>India Clip</p>	
<p>RPK-AB01B-H</p>		<p>UK Clip</p>	

<p>RPN-AB01B-H</p>		<p>Argentina Clip</p>	
<p>RPS-AB01B-H</p>		<p>Australia Clip</p>	
<p>RPBAG-AB01B-H</p>	<p>RPA-AB01B-H, RPE-AB01B-H, RPK-AB01B-H and RPS-AB01B-H interchangeable clips in a plastic bag.</p> 		



## X-ON Electronics

Largest Supplier of Electrical and Electronic Components

*Click to view similar products for [Wall Mount AC Adapters](#) category:*

*Click to view products by [Phihong](#) manufacturer:*

Other Similar products are found below :

[ADP-163 E](#) [ADP-167 J](#) [ADP-159 A](#) [PSAC05A-050L6](#) [DA10-050US](#) [WSU075-1000-R13](#) [WSU120-2000-R13](#) [WSU180-1330-13](#) [WSU120-2000-13](#) [WSU150-0800-13](#) [WSU075-3200-13](#) [WSU090-2500-13](#) [WSU050-2000-R13](#) [WSU240-1000-13](#) [WSU150-0560-13](#) [WSU240-0500-R13](#) [WSU075-1500-13](#) [WSU050-3000-13](#) [WSU120-1500-13](#) [WSU150-1200-13](#) [WSU120-1500-R13](#) [WSU240-0750-13](#) [WSU090-2500-R13](#) [WSU240-1500-13](#) [WSU180-0660-13](#) [WSU090-1300-13](#) [WSU050-1500-13](#) [WSU090-0800-13](#) [WSU120-0700-13](#) [WSU045-3000-13](#) [WSU120-3000-13](#) [WSU120-1000-R13](#) [WSU090-1300-R13](#) [WSU075-1000-13](#) [WSU060-1250-R13](#) [WSU060-1250-13](#) [WSU045-1500-R13](#) [PSAC05A-050L6M](#) [392007-01](#) [AC PLUG-AU3](#) [AC PLUG-MIX3](#) [TRE-A](#) [223-00011](#) [223-00012](#) [AA20R-480A-R](#) [223-00010](#) [KT1001US](#) [BB-SMI6B12V-P230C1](#) [FPBAG1-H](#) [QFWC-05-05](#)