



## 60W Single Port Power over Ethernet Midspan IEEE802.3bt Compliant Power Injector



### Features

- Compliant with IEEE802.3bt Standard
- Compliant with Phihong Proprietary 12.5K Detection
- Non-Vented Case
- 4 Pair Powering +3,6,4,5 / - 1,2,7,8
- Full Protection OVP, OCP
- Limited Power Source
- Single Source 4 Pair Power Current Sharing
- Broken Wire Detection
- Gigabit Compatible
- 1 Year Warranty

### Applications

- IP Telephones
- Wireless Access Points
- Bluetooth® Access Points
- Security Cameras
- IP Print Servers
- WiMAX® Access Points

### Safety Approvals

- cUL/UL
- CE

### Mechanical Characteristics

- Length: 140mm (5.51in.)
- Width: 65mm (2.55in.)
- Height: 36mm (1.42in.)
- Weight: 0.2Kg (0.47lbs)

### Output Specifications

| Model      | AC Input   | DC Output Voltage | Load |                   | Regulation <sup>1</sup>   |      |
|------------|------------|-------------------|------|-------------------|---------------------------|------|
|            |            |                   | Min. | Max. <sup>2</sup> | Line                      | Load |
| POE60U-1BT | 3 Wire C14 | 56V               | 10mA | 1.07A             | +56VDC +1V/-3V (57-53VDC) |      |

Notes:

1. Voltage measured within 2" of the output RJ45 connector on data pairs 3,6(+) and 1,2(-)
2. Combined output on data pairs and spare pairs. Otherwise 535mA on data pairs 3,6(+) 1, 2(-) and spare pairs 4,5(+) 7,8(-)

Phihong is not responsible for any error, and reserves the right to make changes without notice. Please visit our website at [www.phihong.com](http://www.phihong.com) for the most up-to-date specifications and contact information.

**INPUT:****AC Input Voltage Range**

90VAC to 264VAC

**AC Input Voltage Rating**

100 to 240VAC

**AC Input Current**

2.0A (RMS) max for 90VAC

1.2A (RMS) max for 240VAC

**Leakage Current**

3.5mA max @ 264VAC/50Hz

**AC Inrush Current**

40A (RMS) max for 115VAC

80A (RMS) max for 230VAC

**OUTPUT:****Total Output Power**

60W @40C

30W @50C

**Output Ripple**

100mV max @25C, 100-240VAC

**Efficiency**

75% (typical) at max load,120VAC 60Hz

**Hold-up Time**

10mS min. 120VAC/60Hz max load

**ENVIRONMENTAL:****Temperature**

Operation -10°C to +40°C for 60W  
 >40°C to +50°C for 30W

Non-operation -20°C to +65°C

Humidity 5 to 90%

**EMC**

Complies with FCC Class B

Complies with EN55032 Class B

**Isolation Test**

Primary to Secondary: 4242VDC for 1min  
 10mA

Primary to Field Ground: 2121VDC for 1min,  
 10mA

**Immunity**

ESD: IEC61000-4-2. Level 3

RS: IEC61000-4-3. Level 3

EFT: IEC61000-4-4. Level 2

Surge: IEC61000-4-5. Level 3

CS: IEC61000-4-6. Level 2

Voltage Dips IEC61000-4-11

Harmonic: IEC61000-3-2 Class A

**Insulation Resistance**

Primary to Secondary: &gt;10M OHM 500VDC

Primary to Field Ground: >10M OHM  
 500VDC

**FEATURES:****Over Current Protection**

Output #1(OUT) &lt;650mA

Output #2(OUT) &lt;650mA

Output #1 and #2 Combined(OUT) &lt;1300mA

**Over Voltage Protection**

Meets UL requirements

**Short Circuit Protection**

Output can be shorted permanently without  
 damage

**LED Indicators***No LED* - Power failure

*Green LED short Blinking* - POE power ready  
 but no connection

*Green LED solid* - POE output power good

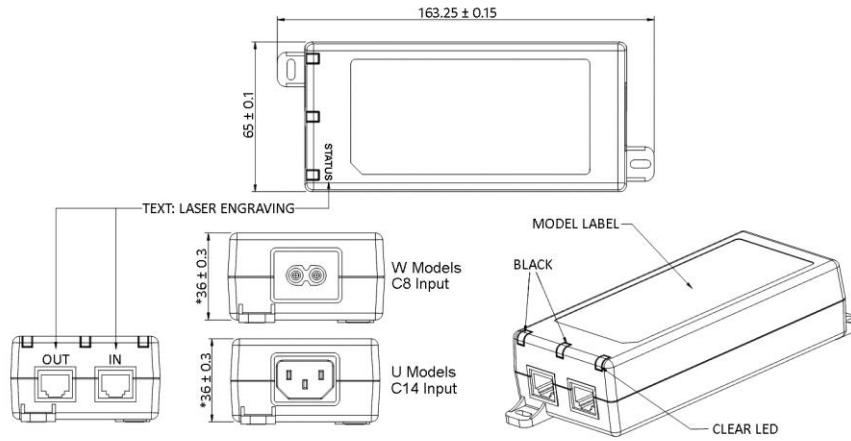
*Green/Red LED alternate short blinking* - POE  
 detection failure

*Green LED short/Red long blinking* - POE  
 output over power or short

**Input Connector**  
IEC320 inlet 3 pin

**Output Connection**  
+pins 3,6,4,5 / -pins 1,2,7,

**Dimension Diagram Unit: mm**



## X-ON Electronics

Largest Supplier of Electrical and Electronic Components

*Click to view similar products for [Power over Ethernet - PoE category](#):*

*Click to view products by [Phihong manufacturer](#):*

Other Similar products are found below :

[PD-3504G/AC](#) [PD-9601G/AC](#) [PD-3504G/AC-EU](#) [180993-3001](#) [GHOSTBRIDGE-POE](#) [EKI-2701HPI-AE](#) [EKI-2701MPI-AE](#) [EKI-2701MPI-R-AE](#) [EKI-2701PSI-AE](#) [EKI-2741FHPI-AE](#) [PALS400-2482G](#) [PALS600-2482G](#) [AWPOE](#) [PD-9001GC/AC](#) [PD-9001GI/DC](#) [PD-9001GO-ET/AC](#) [PD-9001GR/AT/AC-EU](#) [PD-9601GC/AC-EU](#) [PD-9601GC/AC](#) [PD-9606GC/AC-EU](#) [PD-9612GC/AC-EU](#) [PD-9624GC/AC-EU](#) [PD-9624GC/AC-US](#) [PD-9624GC/AC](#) [PD-9001GR/AT/AC-JP](#) [PD-9501GC/AC-EU](#) [PD-6506G/AC/M](#) [PD-9001GRAC](#) [PD-OUT/MBK/G](#) [NPS-30W-B](#) [NPS-30W-WOC](#) [PD-9501GO-ET/AC](#) [PD-9601G/AC-EU](#) [PD-OUT/MBK/ET](#) [PD-OUT/MBK/S](#) [POE14-137-R](#) [POE16R-560L6](#) [POE16S-1AFG-R](#) [POE30S-1ATG-R](#) [POE370U-480-16N-R](#) [POE370U-480-16-R](#) [POE370U-480-8N-R](#) [POE370U-480-8-R](#) [POE45-120-R](#) [POE576U-16ATN-R](#) [POE60D-560G-R](#) [POE60S-1BT-R](#) [POE60S-4AF-R](#) [POE60U-1BT-5](#) [POE90U-1BT6-R](#)