



90W Power over Ethernet Splitter POE90D-560SS IEEE BT PoE Gigabit Splitter



Designed to work with
POE90U-1BT Single port



Features

- Detection, Disconnect and Overload Protection per IEEE802.3bt
- Gigabit Compatible
- Non-Vented Case
- Designed to Work with POE90U-1BT Single Port Injector
- Diagnostic LED – DC good
- 1 Year Warranty

Applications

- WiMAX Access Point
- Last Mile Wireless
- Computer Workstation
- Multi Radio Access Points

Safety Approvals

- CE

Mechanical Characteristics

- Length: 100mm (3.94in)
- Width: 56mm (2.25in)
- Height: 27.9mm (1.09in)
- Weight: 142g (5.0oz)

Output Specifications

Model	DC Output Voltage	Output Current
POE90D-560SS	44-57V when powered by <i>POE90U-1BT with worse case cable drops</i>	1.6A

Phihong is not responsible for any error, and reserves the right to make changes without notice. Please visit our website at www.phihong.com for the most up-to-date specifications and contact information.

INPUT:

Input Voltage Range

Receives power from both data and spare pairs as per IEEE BT standard single signature PD. 52 to 57Vdc

Input Current

1.6A (DC) max.

OUTPUT:

Regulation

Unregulated

Power

90W for 52-57VDC input range
85W for 50VDC input range

Efficiency

96% (typical) at maximum load 56Vinput

Short Circuit Protection

Output can be shorted permanently without damage

ENVIRONMENTAL:

Temperature

Operation	0 to +40°C
Non-operation	-20 to +65°C
Humidity	5 to 90%

Immunity

ESD:	EN61000-4-2. Level 3
RS:	EN61000-4-3. Level 2
CS:	EN61000-4-6. Level 2

EMC when powered by POE90U-1BT

Complies with FCC Class B
Complies with EN55032 Class B

Isolation Test

The splitter output is non-isolated from incoming PoE voltages

Indicators

GREEN LED – Output Good

Cable

Designed to operate up to 100 meters per IEEE 802.3, CAT 5e or CAT6

Input and Output Data Connector

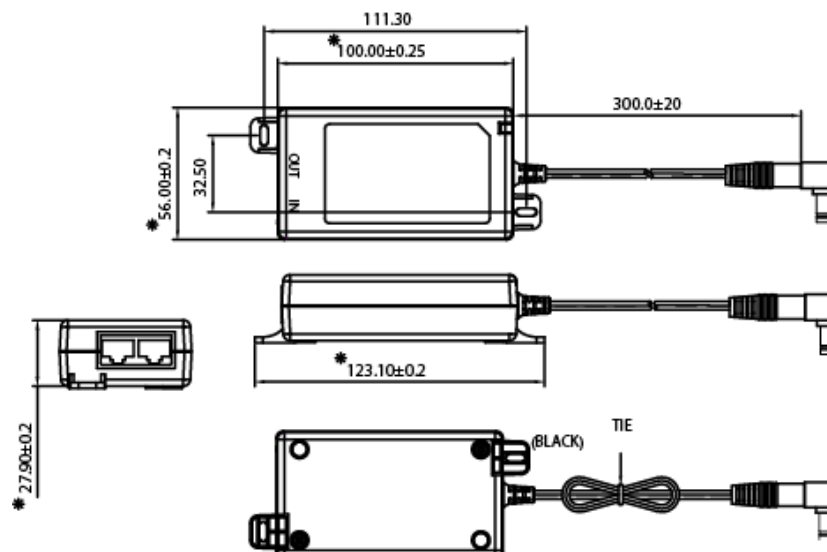
RJ45

Output Connector

Center Positive Barrel 9mm x 2.5mm ID x 5.5mm OD. Tip is user changeable for other sizes



Dimension Diagram Unit: mm



X-ON Electronics

Largest Supplier of Electrical and Electronic Components

Click to view similar products for [Power over Ethernet - PoE category](#):

Click to view products by [Phihong manufacturer](#):

Other Similar products are found below :

[PD-3504G/AC](#) [PD-9601G/AC](#) [PD-3504G/AC-EU](#) [180993-3001](#) [GHOSTBRIDGE-POE](#) [EKI-2701HPI-AE](#) [EKI-2701MPI-AE](#) [EKI-2701MPI-R-AE](#) [EKI-2701PSI-AE](#) [PALS400-2482G](#) [PALS600-2482G](#) [AWPOE](#) [PD-9001GC/AC](#) [PD-9001GI/DC](#) [PD-9001GO-ET/AC](#) [PD-9001GR/AT/AC-EU](#) [PD-9601GC/AC-EU](#) [PD-9601GC/AC](#) [PD-9606GC/AC-EU](#) [PD-9612GC/AC-EU](#) [PD-9624GC/AC-EU](#) [PD-9624GC/AC-US](#) [PD-9624GC/AC](#) [PD-9001GR/AT/AC-JP](#) [PD-9501GC/AC-EU](#) [PD-6506G/AC/M](#) [PD-9001GRAC](#) [PD-OUT/MBK/G](#) [NPS-30W-B](#) [NPS-30W-WOC](#) [PD-9501GO-ET/AC](#) [PD-9601G/AC-EU](#) [PD-OUT/MBK/ET](#) [PD-OUT/MBK/S](#) [POE14-137-R](#) [POE16R-560L6](#) [POE16S-1AFG-R](#) [POE30S-1ATG-R](#) [POE370U-480-16N-R](#) [POE370U-480-16-R](#) [POE370U-480-8N-R](#) [POE370U-480-8-R](#) [POE45-120-R](#) [POE576U-16ATN-R](#) [POE60D-560G-R](#) [POE60S-1BT-R](#) [POE60S-4AF-R](#) [POE60U-1BT-5](#) [POE90U-1BT6-R](#) [POEA30U-1AT-2](#)