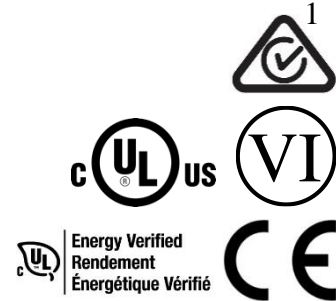




## 30W, IEEE802.3at Single Port PoE Active Injectors



### Features

- IEEE802.3at Complaint
- DOE VI Efficiency
- Australian GEMS Registered<sup>1</sup>
- Compact Size
- Limited Power Source
- Three Wire Input Models
- Full Over-Voltage and Over-Current Protection
- Non-Vented Case
- 1 Year Warranty

### Applications

- IP Telephones
- Wireless Access Points
- Bluetooth<sup>®</sup> Access Points
- Security Cameras
- IP Print Servers
- WiMAX<sup>®</sup> Access Points

### Safety Approvals

- cUL/UL (62368-1)
- CB (IEC62368-1)
- CE
- UL, cUL, CB 60950-1
- AS/NZS 60950.1<sup>1</sup>

### Mechanical Characteristics

- Length: 126mm (4.96in.)
- Width: 45.5mm (1.79in.)
- Height: 30mm (1.18in.)
- Weight: 0.16kg (5.64oz)

### Output Specifications

Model	Data Speed	DC Output Voltage	Load		Regulation <sup>2</sup>	
			Min.	Max.	Line	Load
POEA30U-1ATE-R	1G	56V	10mA	536mA	54-57V	
POEA30U-1AT-2-R	2.5G	56V	10mA	536mA	54-57V	
POEA30U-1AT-5-R	5G	56V	10mA	536mA	54-57V	
POEA30U-1AT-X-R	10G	56V	10mA	536mA	54-57V	

Notes:

1. Only applies to POEA30U-1ATE-R, POEA30U-1AT-2-R and POEA30U-1AT-5-R models
2. Voltage measured within 2" of the output RJ45 connector on data pairs 3,6(+) and 1,2(-)

**INPUT:****AC Input Voltage Range**

90 to 264VAC

**AC Input Current**

0.8A (RMS) max

**AC Input Frequency**

47Hz to 63Hz

**Leakage Current**

3.5mA max @254V, 50Hz

**Max In-rush Current**60A max at 240VAC and max load  
(Cold Start at ambient 25°C)**OUTPUT:****Output Power**

30W, de-rated up to 15W at 50°C

**Hold up Time**

10mSec min at max load at 120VAC, 60Hz

**Efficiency<sup>2</sup>**

Minimum 85% @max load

**ENVIRONMENTAL****Temperature**

Operating -10°C to +40°C

Non-operating -20°C to +70°C

Relative Humidity 5 to 90%

**EMI**

EN55032 Class B, FCC part 15 Class B

AS/NZS CISPR 32, Class B<sup>3</sup>**Immunities**IEC61000-4-2 (ESD) 8KV Contact/15KV Air<sup>4</sup>

IEC61000-4-3 (RS) 3V/m

IEC61000-44(EFT) 1KV Input 0.5KV Output

IEC61000-4-5 (Surge) 1KV L-L, 2KV L-PE

IEC61000-4-6 (CS) 3V

IEC61000-4-11 (Dips) Class 3

IEC61000-3-2 (Harmonic) Class D

**Isolation (HI-POT)**

4242VDC for 1 minute, 10mA

**Insulation Resistance**

Primary to secondary:&gt;10M Ohm 500VDC

**MTBF**

150,000 Hours Min@ Max Load 115VAC 25°C

**FEATURES:****Over Voltage Protection**

Non-Latching auto recovery

**Over Current Protection**

&lt;750mA Non-latch

**Short Circuit Protection**

Non-Latching auto recovery. Output can be shorted permanently without damage

**LED Indicators**

Green LED Slow Blinking – No connection

Green LED Fast Blinking – No Load

Green Solid – Power Good

Green/Yellow Fast Blink – Fault Detected

Yellow Solid with Green Blink – Over/Short Current Detected

**AC Input Connector**

IEC320 C14

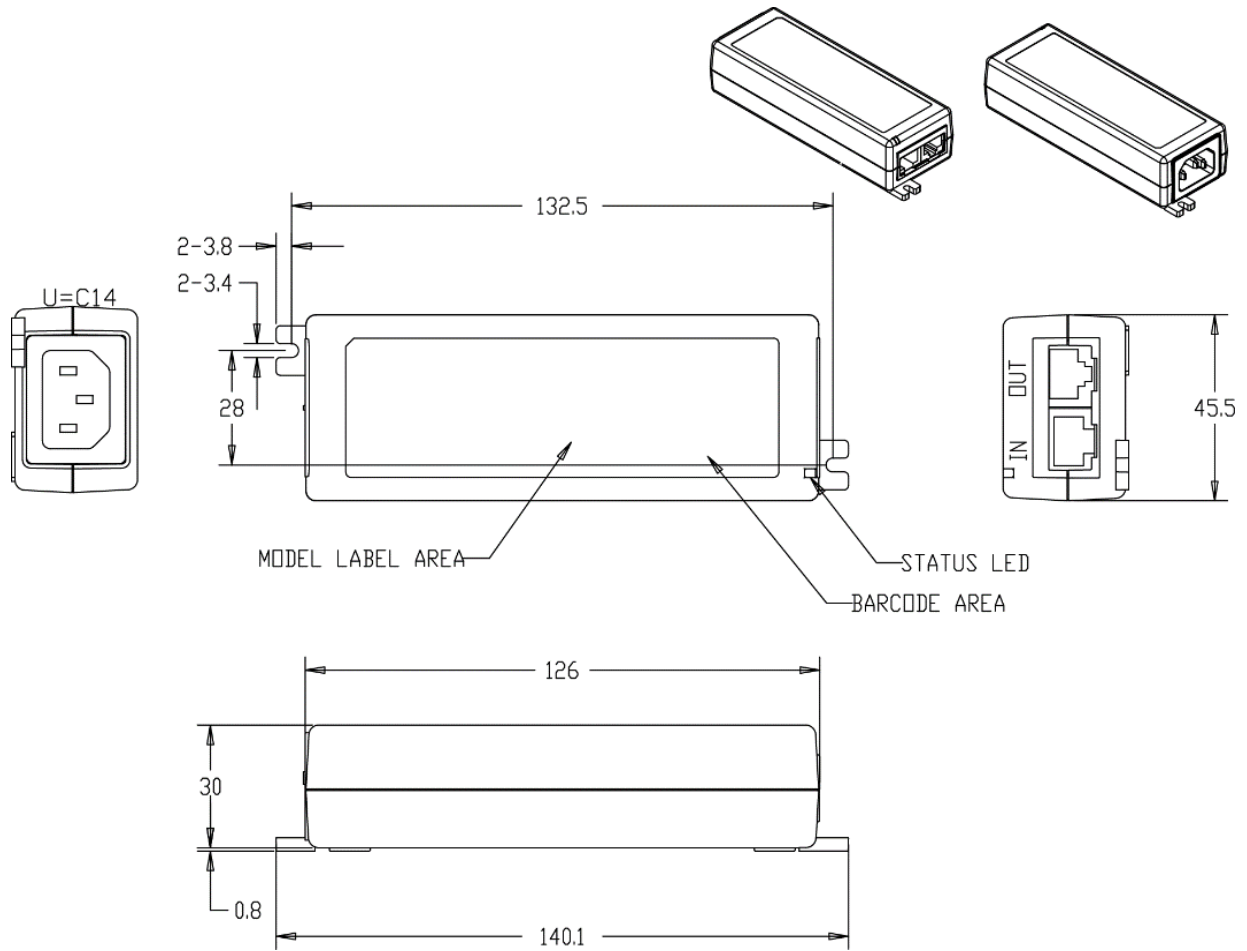
**Output Connection**

56VDC RJ45 Pins 3&amp;6

56VRTN RJ45 Pins 1&amp;2

**Notes:**

1. The characteristics defined are at ambient temperature of 25°C unless otherwise specified.
2. Efficiency is measured after 30 minutes burn-in.
3. Only applies to POEA30U-1ATE-R, POEA30U-1AT-2-R and POEA30U-1AT-5-R models.
4. Applies to builds after 05/2021. Original spec is 6KV Contact/8KV Air.





**Supplier's Declaration of Conformity  
47 CFR § 2.1077 Compliance Information**

Phihong USA Corporation  
47800 Fremont Boulevard  
Fremont, CA 94538  
Telephone: (510) 445-0100  
[www.phihong.com](http://www.phihong.com)

*This device complies with/The devices in this product series comply with part 15 of the FCC Rules. Operation is subject to the following two conditions: (1) This device may not cause harmful interference, and (2) this device must accept any interference received, including interference that may cause undesired operation.*

## X-ON Electronics

Largest Supplier of Electrical and Electronic Components

*Click to view similar products for [Power over Ethernet - PoE category](#):*

*Click to view products by [Phihong manufacturer](#):*

Other Similar products are found below :

[PD-3504G/AC](#) [PD-9601G/AC](#) [PD-3504G/AC-EU](#) [180993-3001](#) [GHOSTBRIDGE-POE](#) [EKI-2701HPI-AE](#) [EKI-2701MPI-AE](#) [EKI-2701MPI-R-AE](#) [EKI-2701PSI-AE](#) [EKI-2741FHPI-AE](#) [PALS400-2482G](#) [PALS600-2482G](#) [AWPOE](#) [PD-9001GC/AC](#) [PD-9001GI/DC](#) [PD-9001GO-ET/AC](#) [PD-9001GR/AT/AC-EU](#) [PD-9601GC/AC-EU](#) [PD-9601GC/AC](#) [PD-9606GC/AC-EU](#) [PD-9612GC/AC-EU](#) [PD-9624GC/AC-EU](#) [PD-9624GC/AC-US](#) [PD-9624GC/AC](#) [PD-9001GR/AT/AC-JP](#) [PD-9501GC/AC-EU](#) [PD-6506G/AC/M](#) [PD-9001GRAC](#) [PD-OUT/MBK/G](#) [NPS-30W-B](#) [NPS-30W-WOC](#) [PD-9501GO-ET/AC](#) [PD-9601G/AC-EU](#) [PD-OUT/MBK/ET](#) [PD-OUT/MBK/S](#) [POE14-137-R](#) [POE16R-560L6](#) [POE16S-1AFG-R](#) [POE30S-1ATG-R](#) [POE370U-480-16N-R](#) [POE370U-480-16-R](#) [POE370U-480-8N-R](#) [POE370U-480-8-R](#) [POE45-120-R](#) [POE576U-16ATN-R](#) [POE60D-560G-R](#) [POE60S-1BT-R](#) [POE60S-4AF-R](#) [POE60U-1BT-5](#) [POE90U-1BT6-R](#)