



5W Compact Fixed Blade USB Power Adapter (Europe)



Features

- Fixed Blade
- Ecodesign ErP Directive 2009/125/EC level 2 annex 1b Compliant
- Low Cost
- Low Profile
- Halogen Free

Applications

- Smart Phones
- PDA
- Personal Electronics
- Digital Camera

Safety Approvals

- CE

Mechanical Characteristics

- Length: 60.2mm (2.37in)
- Width: 43mm (1.65in)
- Height: 21.0mm (0.87in)

Output Specifications

Model	DC Output Voltage	Load		Ripple ⁽¹⁾ P-P (Max)	Regulation		Case Color
		Min.	Max.		Line	Load	
PSA05E-050QA-H	5V	0A	1A	200mV	±5%		Black
PSA05E-050QW-H	5V	0A	1A	200mV	±5%		White

Notes: (1) Measured after 10 minutes with by-pass capacitors 0.1uF // 10uF at output connector terminal and oscilloscope set at 20MHz.

Phihong is not responsible for any error, and reserves the right to make changes without notice. Please visit our website at www.phihong.com for the most up-to-date specifications and contact information.

INPUT:**AC Input Voltage Rating**

100 to 240VAC

AC Input Voltage Range

90 to 264VAC

AC Input Current

0.15A(RMS) max.

Leakage Current5 μ A maximum**Input Power Saving**

<30mW max

OUTPUT:**Power**

5W Continuous

Efficiency

Meets Level V Efficiency Requirements

Short Circuit Protection

Output may be shorted permanently without damage

Over-voltage Protection

Output shall not exceed 10V

ENVIRONMENTAL:**Temperature**

Operation 0 to +40°C

Non-operation -40 to +85°C

Humidity 90%

Immunity

ESD: EN61000-4-2. Level 4

Surge: EN61000-4-5. Level 3

Harmonic: EN61000-3-2

Flicker: EN61000-3-3

Emissions

FCC Class B

EN55022 Class B

Dielectric Withstand (Hi-pot) Test

Primary to Secondary: 3000VAC, 10mA for 1 minute

Insulation Resistance

Primary to Secondary: 10M ohm 500VDC

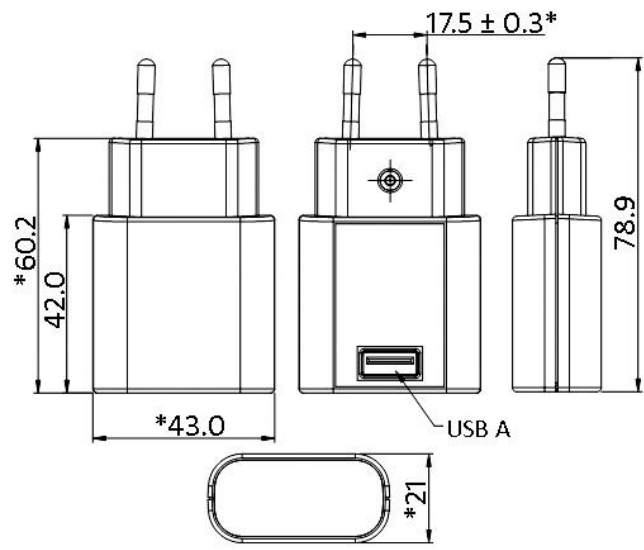
MTBF

100K Hrs min. (MIL-HDBK-217F) at max load

DC Output Connector

USB A

Dimension Diagram Unit: mm



X-ON Electronics

Largest Supplier of Electrical and Electronic Components

Click to view similar products for [Wall Mount AC Adapters](#) category:

Click to view products by [Phihong](#) manufacturer:

Other Similar products are found below :

[ADP-163 E](#) [ADP-167 J](#) [ADP-168 K](#) [ADP-159 A](#) [ADP-165 G](#) [PSAC05A-050L6](#) [RLMDT361800](#) [P25A14E-R1C](#) [DA10-050CH](#) [DA5-050US-B](#) [DA10-050UK](#) [RLMDT701800](#) [WSU120-2000-R13](#) [WSU180-1330-13](#) [AC-DC ADAPTER 160W](#) [WSU120-2000-13](#) [WSU150-0800-13](#) [WSU075-3200-13](#) [WSU060-2000-R13](#) [WSU090-2500-13](#) [WSU050-2000-R13](#) [WSU240-1000-13](#) [WSU240-0500-R13](#) [WSU075-1500-13](#) [WSU050-3000-13](#) [WSU120-1500-13](#) [WSU120-1500-R13](#) [WSU045-1500-13](#) [WSU240-0750-13](#) [WSU090-2500-R13](#) [WSU240-1500-13](#) [WSU180-0660-13](#) [WSU075-1500-R13](#) [WSU090-1300-13](#) [WSU180-1330-R13](#) [BB-SMI1812VP230C1](#) [WSU050-1500-13](#) [WSU090-0800-13](#) [WSU120-0700-13](#) [WSU045-3000-13](#) [WSU180-0450-13](#) [WSU150-0560-R13](#) [WSU135-0880-13](#) [WSU120-3000-13](#) [WSU120-1000-R13](#) [WSU090-1300-R13](#) [WSU060-1250-R13](#) [WSU060-1250-13](#) [WSU045-2000-R13](#) [WSU045-1500-R13](#)