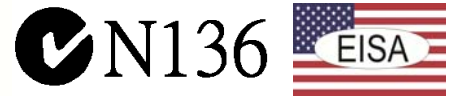




**5 Watt – Compact Folding Blade Adapter
PSA05F Adapter Meets EISA and Level V Efficiency Requirements**



Features

- Folding Blades
- CC & CV Control
- ErP Directive 2009/125/EC level 2 annex 1b Compliant
- 15mm Thick with Blades Folded
- 5 Start Standby Power < 0.03W
- Level V Efficiency Compliance

Applications

- MPEG Players
- PDA
- Personal Electronics
- Digital Camera

Safety Approvals

- cUL/UL
- IEEE1725 Approved
- C-Tick
- CE
- SAA

Mechanical Characteristics

- Length: 60mm (2.36in)
- Width: 47mm (1.85in)
- Height: 15.0mm (0.59in)
- Weight: 80g (3oz)

Output Specifications

Model	DC Output Voltage	Load		Ripple ⁽¹⁾ P-P (max.)	Regulation Line & Load	Efficiency Level
		Min.	Max.			
PSA05F-050Q-H	5V	0A	1.0A	100mV	±5%	V

(1) Measured after 10 minutes with by-pass capacitors 0.1uF/ / 10uF at output connector terminal.

Input:**AC Input Voltage Rating**

100 to 240V AC

AC Input Voltage Range

90 to 264V AC

AC Input Frequency

47 to 63Hz

Input Current

0.3A (RMS) maximum

Input Power Saving

< 0.03W

Output:**Power**

5W continuous

Efficiency

68% minimum; level V

Ripple and Noise

100mV

Power Saving Mode

<30mW at 115V AC/230V AC and no load

Over-Current Protection

1.1A maximum

Over-Voltage Protection

8.5V DC maximum, Zener Clamping

Short-Circuit Protection

Output can be shorted permanently without damage

Interchangeable Clips

FPBAG-H (FPE, FPK, FPS)

FPB: Brazil FPK: UK
 FPC: China FPN: Argentina
 FPE: Europe FPS: Australia
 FPH: Korea
 (Sold Separately)

Environmental:**Temperature**

Operation 0 to +40°C
 Non-operation -40 to +85°C
 Relative Humidity 10 to 90%

Emissions

FCC Class B part 15
 EN55022 Class B

Immunity

EN61000-4-2 Level 4
 EN61000-4-5 Level 4
 Harmonic: EN61000-3-2 Class A
 Flicker: EN61000-3-3

Dielectric Withstand (Hi-pot) Test

Primary to Secondary: 3000V AC for 1 min., 10mA

Insulation Resistance

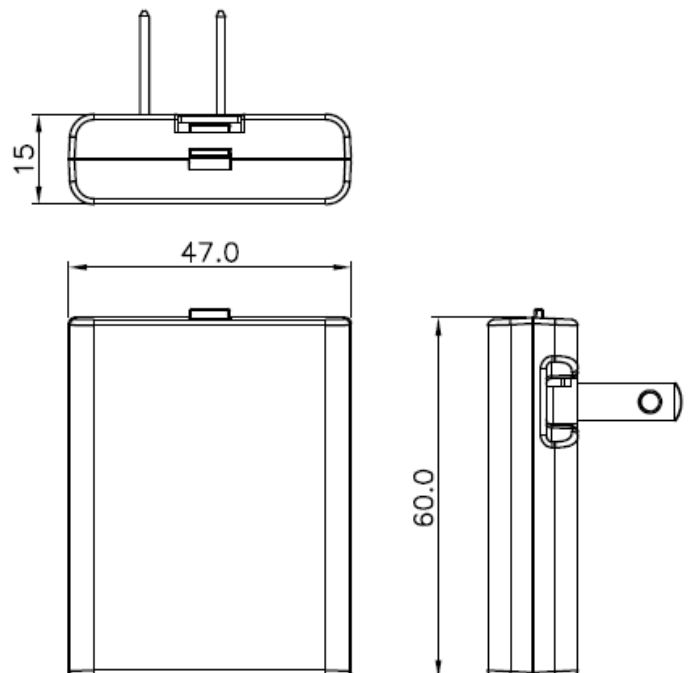
Primary to Secondary: 7 M ohm 500V DC

Reliability

MTBF: 200K hours minimum at 120V AC and max load at 25°C ambient temperature.

DC Output Connector

USB Type A

Dimension Diagram Unit: mm

X-ON Electronics

Largest Supplier of Electrical and Electronic Components

Click to view similar products for [Wall Mount AC Adapters](#) category:

Click to view products by [Phihong](#) manufacturer:

Other Similar products are found below :

[76000738](#) [76000756-B10](#) [ADP-163 E](#) [ADP-159 A](#) [PSAC05A-050L6](#) [RLMDT361800](#) [TE30A1803F01](#) [0650-00005](#) [P25A14E-R1C](#) [SWI24-12-N-P6R](#) [TRH25033-A-02E01-Level-VI](#) [DA5-050US-B](#) [DA5-050UK-B](#) [RLMDT701800](#) [76000756](#) [DA5-050EU-B](#) [WSU120-2000-R13](#) [5V1A-USB](#) [AC-DC ADAPTER 160W](#) [WSU120-2000-13](#) [WSU150-0800-13](#) [76000980](#) [WSU075-3200-13](#) [WSU090-2500-13](#) [WSU050-2000-R13](#) [WSU240-1000-13](#) [WSU090-3500-R13](#) [WSU075-1500-13](#) [WSU135-1330-13](#) [WSU045-1500-13](#) [WSU090-2500-R13](#) [WSU240-1500-13](#) [WSU180-0660-13](#) [WSU075-1500-R13](#) [WSU090-1300-13](#) [WSU180-1330-R13](#) [NTPS-24-TT-700](#) [BB-SMI1812VP230C1](#) [WSU150-1600-13](#) [WSU050-1500-13](#) [WSU090-0800-13](#) [WSU180-0450-13](#) [WSU150-0560-R13](#) [WSU135-0880-13](#) [WSU120-3000-13](#) [WSU120-1000-R13](#) [WSU090-1300-R13](#) [WSU060-4000-13](#) [WSU060-1250-13](#) [WSU050-4000-13](#)