



5W Compact Fixed Blade USB Power Adapter (UK)



Features

- Fixed Blade
- Ecodesign ErP Directive 2009/125/EC level 2 annex 1b Compliant
- Low Cost
- Low Profile
- Halogen Free

Applications

- Smart Phones
- PDA
- Personal Electronics
- Digital Camera

Safety Approvals

- CE

Mechanical Characteristics

- Length: 49mm (1.93in)
- Width: 43mm (1.65in)
- Height: 21.0mm (0.87in)

Output Specifications

Model	DC Output Voltage	Load		Ripple ⁽¹⁾ P-P (Max)	Regulation		Case Color
		Min.	Max.		Line	Load	
PSA05K-050QA-H	5V	0A	1A	200mV	±5%		Black
PSA05K-050QW-H	5V	0A	1A	200mV	±5%		White

Notes: (1) Measured after 10 minutes with by-pass capacitors 0.1uf // 10uf at output connector terminal and oscilloscope set at 20MHz.

INPUT:**AC Input Voltage Rating**

100 to 240VAC

AC Input Voltage Range

90 to 264VAC

AC Input Current

0.15A(RMS) max.

Leakage Current5 μ A maximum**Input Power Saving**

<30mW max

OUTPUT:**Power**

5W Continuous

Efficiency

Meets Level V Efficiency Requirements

Short Circuit Protection

Output may be shorted permanently without damage

Over-voltage Protection

Output shall not exceed 10V

ENVIRONMENTAL:**Temperature**

Operation 0 to +40°C

Non-operation -40 to +85°C

Humidity 90%

Immunity

ESD: EN61000-4-2. Level 4

Surge: EN61000-4-5. Level 3

Harmonic: EN61000-3-2

Flicker: EN61000-3-3

Emissions

FCC Class B

EN55022 Class B

Dielectric Withstand (Hi-pot) Test

Primary to Secondary: 3000VAC, 10mA for 1 minute

Insulation Resistance

Primary to Secondary: 10M ohm 500VDC

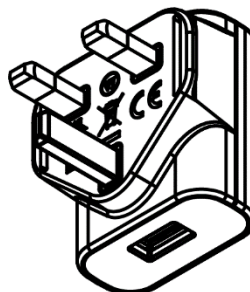
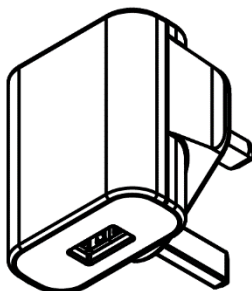
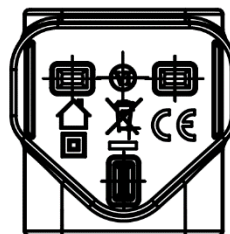
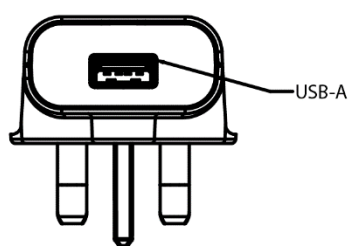
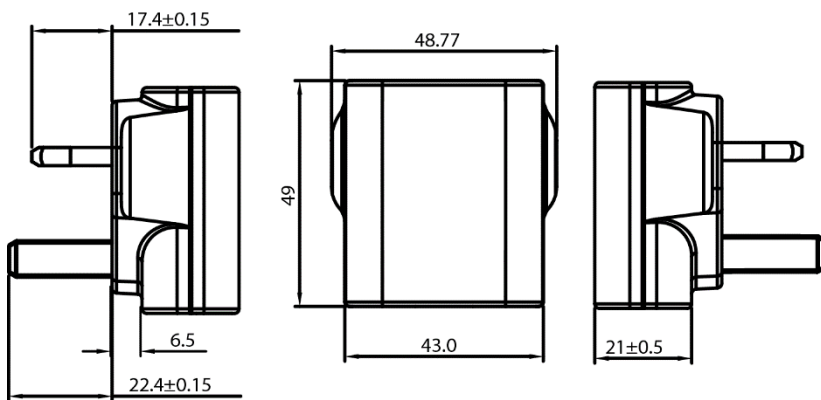
MTBF

100K Hrs min. (MIL-HDBK-217F) at max load

DC Output Connector

USB A

Dimension Diagram Unit: mm



X-ON Electronics

Largest Supplier of Electrical and Electronic Components

Click to view similar products for [Wall Mount AC Adapters](#) category:

Click to view products by [Phihong](#) manufacturer:

Other Similar products are found below :

[ADP-163 E](#) [ADP-167 J](#) [ADP-168 K](#) [ADP-159 A](#) [ADP-165 G](#) [PSAC05A-050L6](#) [RLMDT361800](#) [P25A14E-R1C](#) [DA10-050CH](#) [DA5-050US-B](#) [DA10-050UK](#) [RLMDT701800](#) [WSU120-2000-R13](#) [WSU180-1330-13](#) [AC-DC ADAPTER 160W](#) [WSU120-2000-13](#) [WSU150-0800-13](#) [WSU075-3200-13](#) [WSU060-2000-R13](#) [WSU090-2500-13](#) [WSU050-2000-R13](#) [WSU240-1000-13](#) [WSU240-0500-R13](#) [WSU075-1500-13](#) [WSU050-3000-13](#) [WSU120-1500-13](#) [WSU120-1500-R13](#) [WSU045-1500-13](#) [WSU240-0750-13](#) [WSU090-2500-R13](#) [WSU240-1500-13](#) [WSU180-0660-13](#) [WSU075-1500-R13](#) [WSU090-1300-13](#) [WSU180-1330-R13](#) [BB-SMI1812VP230C1](#) [WSU050-1500-13](#) [WSU090-0800-13](#) [WSU120-0700-13](#) [WSU045-3000-13](#) [WSU180-0450-13](#) [WSU150-0560-R13](#) [WSU135-0880-13](#) [WSU120-3000-13](#) [WSU120-1000-R13](#) [WSU090-1300-R13](#) [WSU060-4000-13](#) [WSU060-1250-R13](#) [WSU060-1250-13](#) [WSU045-2000-R13](#)