



**5W Compact Fixed Blade USB Power Adapter  
(Australia/New Zealand)**



**Features**

- Fixed Blade
- Level V Efficient
- No-Load Power Draw <0.3mW
- Low Cost
- Low Profile
- Halogen Free

**Applications**

- Smart Phones
- PDA
- Personal Electronics
- Digital Camera

**Safety Approvals**

- C-Tick
- SAA

**Mechanical Characteristics**

- Length: 53.2mm (2.09in)
- Width: 43mm (1.69in)
- Height: 25.0mm (0.98in)

**Output Specifications**

Model	DC Output Voltage	Load		Ripple <sup>(1)</sup> P-P (Max)	Regulation		Case Color
		Min.	Max.		Line	Load	
PSA05S-050QA-H	5V	0A	1A	200mV	±5%		Black
PSA05S-050QW-H	5V	0A	1A	200mV	±5%		White

Note: (1) Measured after 10 minutes with by-pass capacitors 0.1uf // 10uf at output connector terminal and oscilloscope set at 20MHz.

Phihong is not responsible for any error, and reserves the right to make changes without notice. Please visit our website at [www.phihong.com](http://www.phihong.com) for the most up-to-date specifications and contact information.

**INPUT:****AC Input Voltage Rating**

100 to 240VAC

**AC Input Voltage Range**

90 to 264VAC

**AC Input Current**

0.15A(RMS) max.

**Leakage Current**5 $\mu$ A maximum**Input Power Saving**

&lt;30mW max

**OUTPUT:****Power**

5W Continuous

**Efficiency**

Meets Level V Efficiency Requirements

**Short Circuit Protection**

Output may be shorted permanently without damage

**Over-voltage Protection**

Output shall not exceed 10V

**ENVIRONMENTAL:****Temperature**

Operation 0 to +40°C

Non-operation -40 to +85°C

Humidity 90%

**Immunity**

ESD: EN61000-4-2. Level 4

Surge: EN61000-4-5. Level 3

Harmonic: EN61000-3-2

Flicker: EN61000-3-3

**Emissions**

FCC Class B

EN55022 Class B

**Dielectric Withstand (Hi-pot) Test**

Primary to Secondary: 3000VAC, 10mA for 1 minute

**Insulation Resistance**

Primary to Secondary: 10M ohm 500VDC

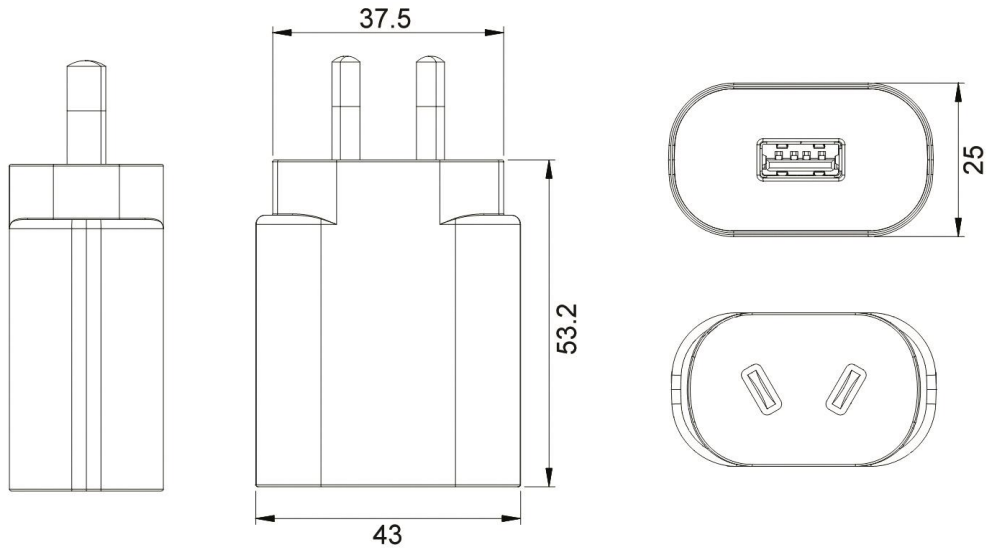
**MTBF**

100K Hrs min. (MIL-HDBK-217F) at max load

**DC Output Connector**

USB A

**Dimension Diagram Unit: mm**



## X-ON Electronics

Largest Supplier of Electrical and Electronic Components

*Click to view similar products for [Wall Mount AC Adapters](#) category:*

*Click to view products by [Phihong](#) manufacturer:*

Other Similar products are found below :

[ADP-163 E](#) [ADP-167 J](#) [ADP-168 K](#) [ADP-159 A](#) [ADP-165 G](#) [PSAC05A-050L6](#) [RLMDT361800](#) [P25A14E-R1C](#) [DA10-050CH](#) [DA5-050US-B](#) [DA10-050UK](#) [RLMDT701800](#) [WSU120-2000-R13](#) [WSU180-1330-13](#) [AC-DC ADAPTER 160W](#) [WSU120-2000-13](#) [WSU150-0800-13](#) [WSU075-3200-13](#) [WSU060-2000-R13](#) [WSU090-2500-13](#) [WSU050-2000-R13](#) [WSU240-1000-13](#) [WSU240-0500-R13](#) [WSU075-1500-13](#) [WSU050-3000-13](#) [WSU120-1500-13](#) [WSU120-1500-R13](#) [WSU045-1500-13](#) [WSU240-0750-13](#) [WSU090-2500-R13](#) [WSU240-1500-13](#) [WSU180-0660-13](#) [WSU075-1500-R13](#) [WSU090-1300-13](#) [WSU180-1330-R13](#) [BB-SMI1812VP230C1](#) [WSU050-1500-13](#) [WSU090-0800-13](#) [WSU120-0700-13](#) [WSU045-3000-13](#) [WSU180-0450-13](#) [WSU150-0560-R13](#) [WSU135-0880-13](#) [WSU120-3000-13](#) [WSU120-1000-R13](#) [WSU090-1300-R13](#) [WSU060-4000-13](#) [WSU060-1250-R13](#) [WSU060-1250-13](#) [WSU045-2000-R13](#)