



15 Watt Interchangeable Plug Series PSA15R Series meets Level V Efficiency Requirements



Features

- Double Insulated
- Class B EMI
- Limited Power Source
- Level V Efficiency Compliant
- EISA Compliant

Applications

- Wireless Communications
- Network Equipment
- Peripherals
- Gaming

Safety Approvals

- CE
- C-Tick
- TUV
- cUL/UL
- SAA

Mechanical Characteristics

- Length: 71.6mm (2.82in)
- Width: 50mm (1.97in)
- Height: 31mm (1.22in)
- Weight: 151g (5.32oz)

Output Specifications

Model	DC Output Voltage	Load		Ripple ⁽²⁾ P-P (max.)	Efficiency Level
		Min.	Max.		
PSA15R-050PV	5V	0A	3.000A	100mV	V
PSA15R-060PV ⁽¹⁾	6V	0A	2.500A	100mV	V
PSA15R-075PV ⁽¹⁾	7.5V	0A	2.000A	100mV	V
PSA15R-090PV	9V	0A	1.667A	100mV	V
PSA15R-120PV	12V	0A	1.250A	120mV	V
PSA15R-150PV	15V	0A	1.000A	150mV	V
PSA15R-240PV	24V	0A	0.625A	240mV	V
PSA15R-480PV	48V	0A	0.313A	480mV	V

Note (1): Special order item, minimum order quantity required. Contact Pihong Sales for more information.

Note (2): Ripple measured by using a 12-inch twisted pair terminated with 10uF capacitor and 0.1uF ceramic in parallel with oscilloscope set to 20Mhz measured after a warm-up of 10minutes.

Pihong is not responsible for any error, and reserves the right to make changes without notice. Please visit our website at www.pihong.com for the most up-to-date specifications and contact information.

AC Input

Input Voltage Rating

100 to 240VAC

AC Input Voltage Range

90 to 264VAC

AC Input Current

0.5A (RMS), 120VAC at maximum load
0.25A (RMS), 240VAC at maximum load

AC Input Frequency

47 to 63Hz

In-rush Current

30A for 120VAC at maximum load
60A for 240VAC at maximum load
(cold start at ambient 25°C)

Leakage Current

0.25mA maximum

DC Output

Output Power
15W

Efficiency

Meets Level V Requirements
>76% minimum 5V
>79% minimum 6V – 48V

No Load Power Consumption

<0.3W

Hold up time

8mS minimum at maximum load, 120VAC

Environmental

Operating Temperature 0°C to +40°C
Storage Temperature -20°C to +75°C
Humidity 20 to 90%

EMI

FCC class B, EN55022 Class B

Immunity

EN61000-4-2 Level 3
EN61000-4-3 Level 2
EN61000-4-4 Level 2
EN61000-4-5 Level 3
EN61000-4-6 Level 2
EN61000-4-11

Isolation (HI-POT test)

Input to Output: 3000VAC for 1 minute, 10mA

Insulation Resistance

Input to Output: 500VDC 500M Ohm minimum

Over Current Protection

Short Circuit Auto-restart

Short Circuit Protection

Output can be shorted without damage

Over Voltage Protection

By Zener clamping

MTBF

Minimum 50K hours

DC Cord

1500mm (18~24AWG)

DC Output Connector (Tuning Fork Type)

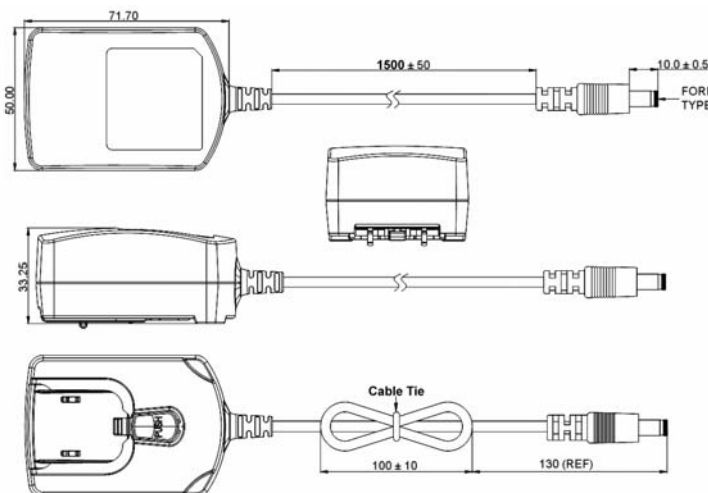
5.5mm x 2.1mm x 10mm Center Positive

Interchangeable AC Clips

RPA: US RPK: UK
RPB: Brazil RPI: India
RPC: China RPN: Argentina
RPE: Europe RPS: Australia
RPH: Korea RPX: IEC320 C8

(Sold Separately)

Dimension Diagram Unit:mm



X-ON Electronics

Largest Supplier of Electrical and Electronic Components

Click to view similar products for [Wall Mount AC Adapters](#) category:

Click to view products by [Phihong](#) manufacturer:

Other Similar products are found below :

[ADP-163 E](#) [ADP-167 J](#) [ADP-168 K](#) [ADP-159 A](#) [ADP-165 G](#) [PSAC05A-050L6](#) [RLMDT361800](#) [P25A14E-R1C](#) [DA10-050CH](#) [DA5-050US-B](#) [DA10-050UK](#) [RLMDT701800](#) [WSU120-2000-R13](#) [WSU180-1330-13](#) [AC-DC ADAPTER 160W](#) [WSU120-2000-13](#) [WSU150-0800-13](#) [WSU075-3200-13](#) [WSU060-2000-R13](#) [WSU090-2500-13](#) [WSU050-2000-R13](#) [WSU240-1000-13](#) [WSU240-0500-R13](#) [WSU075-1500-13](#) [WSU050-3000-13](#) [WSU120-1500-13](#) [WSU120-1500-R13](#) [WSU045-1500-13](#) [WSU240-0750-13](#) [WSU090-2500-R13](#) [WSU240-1500-13](#) [WSU180-0660-13](#) [WSU075-1500-R13](#) [WSU090-1300-13](#) [WSU180-1330-R13](#) [BB-SMI1812VP230C1](#) [WSU050-1500-13](#) [WSU090-0800-13](#) [WSU120-0700-13](#) [WSU045-3000-13](#) [WSU180-0450-13](#) [WSU150-0560-R13](#) [WSU135-0880-13](#) [WSU120-3000-13](#) [WSU120-1000-R13](#) [WSU090-1300-R13](#) [WSU060-1250-R13](#) [WSU060-1250-13](#) [WSU045-2000-R13](#) [WSU045-1500-R13](#)