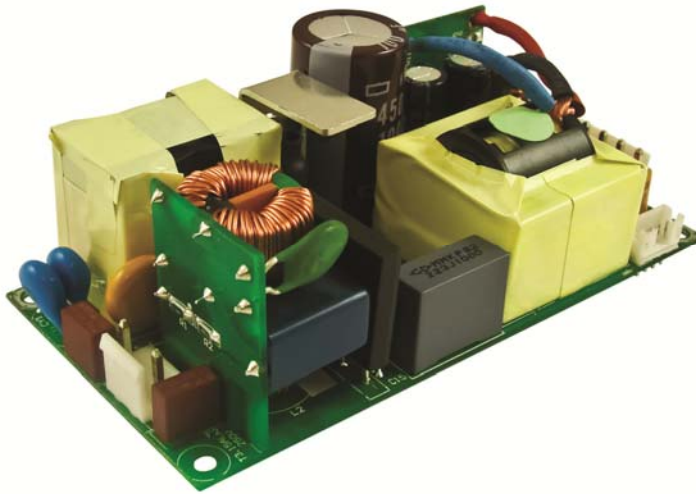




160 Watt Low Cost Open Frame Power Supply PSA160U 1U Switching Power Supply for IT Solutions



Features

- 2" x 4" footprint
- Class B EMI
- Fits 1U height requirements
- OCP, OVP and Short Circuit Protection

Applications

- IT Equipment
- Cable TV
- Networking Equipment
- Multimedia Equipment

Safety Approvals

- CE
- cUL/UL

Mechanical Characteristics ⁽¹⁾

- Length: 101.6mm (4in)
- Width: 50.8mm (2in)
- Height: 34.5mm (1.36in)
- Weight: 184-195g (6.49-6.88oz)

Output Specifications

Model	DC Output Voltage	Load		Ripple P-P (max.)	Regulation		Max Power ⁽³⁾
		Min.	Max. ⁽²⁾		Line	Load	
PSA160-210-R	12V	50mA	13.34A	200mV	±5%		159.6W
	12V-fan	50mA	0.4A		+30%	-20%	4.8W
PSA160-212-R	24V	50mA	6.67A	270mV	±5%		160.1W
	12V-fan	50mA	0.4A		+30%	-20%	4.8W
PSA160-218-R	48V	50mA	3.34A	400mV	±5%		160.3W
	12V-fan	50mA	0.4A		+30%	-20%	4.8W
PSA160-216-R	56V	50mA	2.86A	480mV	±5%		160.2W
	12V-fan	50mA	0.4A		+30%	-20%	4.8W

Notes (1) – 12V model has a weight of 184g, while all other models weigh 195g

Notes (2) – CFM forced air required, load drops to 56.3% of maximum without fan

Notes (3) – CFM forced air required for full power – 90W without fan

Phihong is not responsible for any error, and reserves the right to make changes without notice. Please visit our website at www.phihong.com for the most up-to-date specifications and contact information.

INPUT:**AC Input Range**

90 to 264VAC

AC Input Rating

100 to 240VAC

AC Input Frequency

47-63Hz

AC Input Current

2.2A (RMS) maximum at 115VAC

1.2A (RMS) maximum at 230VAC

AC Inrush Current

40A maximum at 115VAC

70A maximum at 230VAC

Leakage Current

1mA maximum

OUTPUT:**Output Power**

160W with fan

90W without fan

4.8W – Fan output

Efficiency (at full power)

86-88% at 115VAC

88-90% at 230VAC

ENVIRONMENTAL:

Operating temperature -20°C to 70°C

Storage Temperature -40°C to 85°C

Humidity 20 to 90% RH

Cooling

12.6 CFM for full power

w/ fan - 160W, 100% load at maximum 45°C

w/o fan – 90W, 56.3% load with 35°C

EMC

EN55022 Class B

EMI

EN61000-4-2

EN61000-4-3

EN61000-4-4

EN61000-4-5

EN61000-4-6

EN61000-4-100

EN61000-4-11

EN61000-3-2 Class D

EN61000-3-3

Dielectric Withstand (HI-POT) Test

Primary to Secondary: 3000VAC for 1 minute

Primary to Ground: 1500VAC for 1 minute

Insulation Resistance:

Primary to Secondary: >7M ohm 500VDC

Over-Voltage Protection

135% maximum

Over Current Protection

105~150%, Auto recovery

Short Circuit Protection

Output can be shorted permanently without damage

AC Input Connector

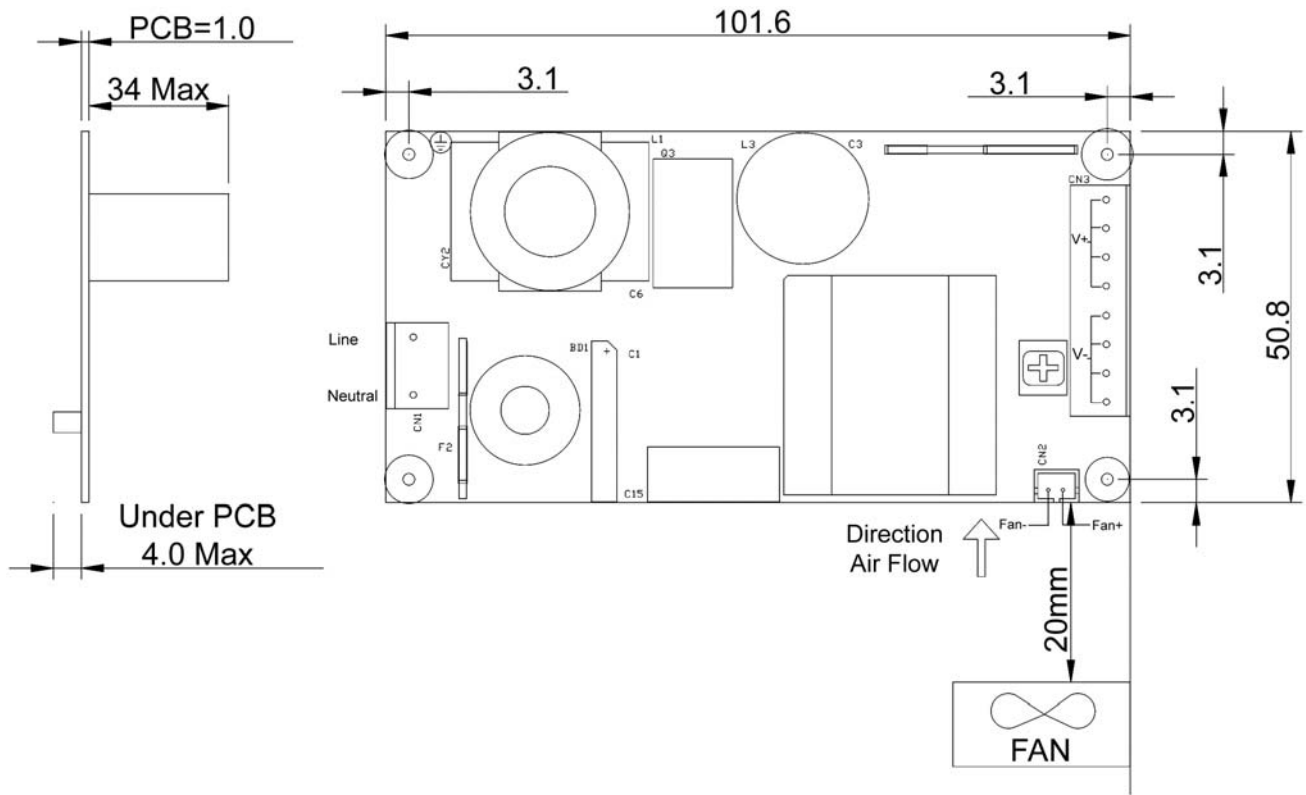
3 Pin 3.96mm, PIN 2 N.C.

DC Output Connector

8 Pin 3.96mm

Fan Output Connector

2 Pin 2.00mm



X-ON Electronics

Largest Supplier of Electrical and Electronic Components

Click to view similar products for [Switching Power Supplies](#) category:

Click to view products by [Phihong](#) manufacturer:

Other Similar products are found below :

[70841011](#) [73-551-0005](#) [73-551-0048](#) [PS3E-B12F](#) [PS3E-E12F](#) [AAD600S-4-OP](#) [R22095](#) [KD0204](#) [9021](#) [LDIN100150](#) [LPM000-BBAR-01](#)
[LPX17S-C](#) [EVS57-10R6/R](#) [FP80](#) [FRV7000G](#) [22929](#) [PS3E-F12F](#) [CQM1IA121](#) [40370121900](#) [VI-PU22-EXX](#) [40370121910](#) [LDIN5075](#)
[LPM615-CHAS](#) [LPX140-C](#) [09-160CFG](#) [70841025](#) [VPX3000-CBL-DC](#) [LPM000-BBAR-05](#) [LPM000-BBAR-08](#) [LPM124-OUTA1-48](#)
[LPM000-BBAR-07](#) [LPM109-OUTA1-10](#) [LPM616-CHAS](#) [08-30466-1055G](#) [08-30466-2175G](#) [08-30466-2125G](#) [DMB-EWG](#) [TVQF-1219-](#)
[18S](#) [6504-226-2101](#) [CQM1IPS01](#) [SP-300-5](#) [CQM1-IPS02](#) [VI-MUL-ES](#) [22829](#) [08-30466-0065G](#) [VI-RU031-EWWX](#) [08-30466-0028G](#) [VI-](#)
[LUL-EU](#) [EP3000AC48INZ](#) [VP-C2104853](#)