



**24 Watt – Wall Plug Adapter
PSA24A-120(P) Adapter Meets EISA and CEC Requirements**



Features

- Class B EMI
- No Load Power Consumption <0.3W
- Short-Circuit Protection
- Class II Double Insulated
- EISA and CEC Compliant
- Over-Voltage, Over-Current Protection

Applications

- Portable Equipment
- Peripherals
- Access Devices

Safety Approvals

- cUL/UL
- BSMI

Mechanical Characteristics

- Length: 83.5mm (3.29in)
- Width: 35.0mm (1.38in)
- Height: 73.5mm (2.89in)
- Weight: 165g (5.82oz)

Output Specifications

Model	DC Output Voltage	Load		Ripple P-P (max.)	Regulation Line & Load	Efficiency Level
		Min.	Max.			
PSA24A-120(P)	12V	0A	2.0A	150mV	±5%	

(1) Measured after 30 minutes with by-pass capacitors 0.1uF/10uF at output connector terminal and oscilloscope set at 20MHz.

Phihong is not responsible for any error, and reserves the right to make changes without notice. Please visit our website at www.phihong.com for the most up-to-date specifications and contact information.

Input:

AC Input Voltage Rating

100 to 240V AC

AC Input Voltage Range

90 to 264V AC

AC Input Frequency

50 to 60Hz

Input Current

0.6A (RMS) maximum at 100V AC

Leakage Current

0.25mA maximum

Inrush Current

85A maximum at 230V AC
(Cold start at ambient 25°C)

Input Power Saving

0.3W maximum at no load

Output:

Efficiency

80% average efficiency

Hold-up Time

8mS minimum at maximum load and 120V AC

Over-Voltage Protection

Output Voltage shall not exceed 20V

Over-Current Protection

5.0A maximum at 230V AC

Short-Circuit Protection

Output can be shorted permanently without damage

Environmental:

Temperature

Operation	0 to +40°C
Non-operation	-40 to +85°C
Humidity	10 to 90%

Emissions

FCC Class B
EN55022 Class B

Immunity

EN50082-1:	(EN55024)
EN61000-4-2	Level 4
EN61000-4-5	Level 2

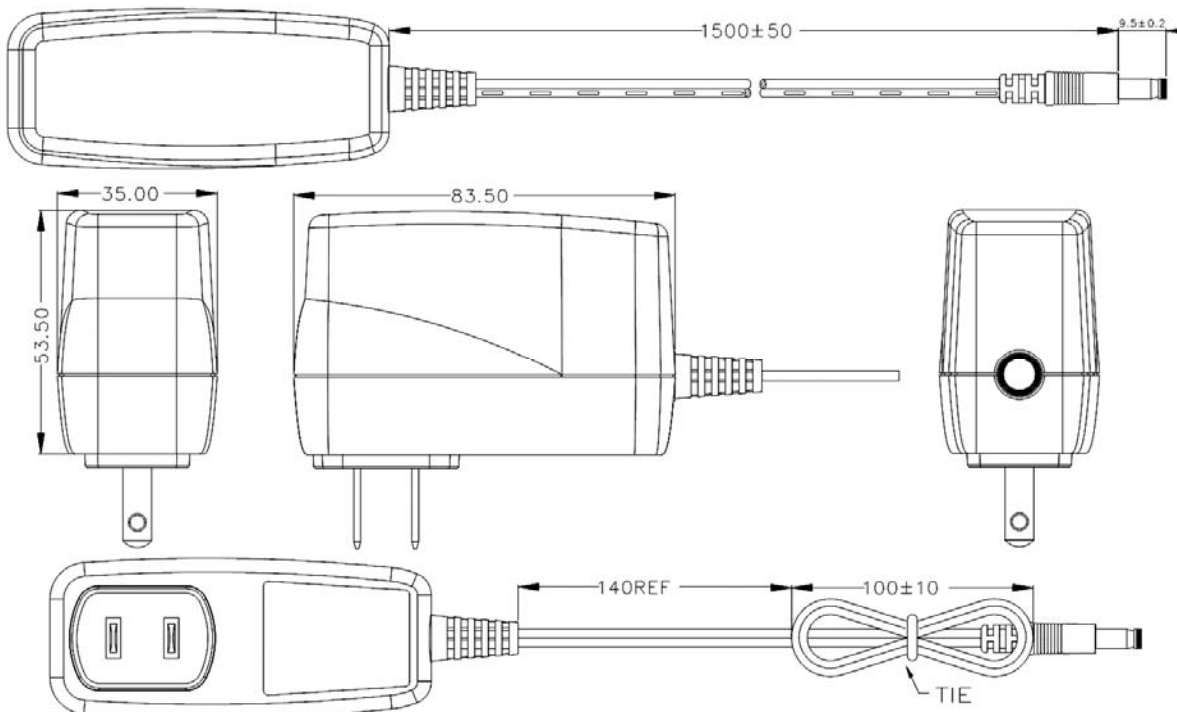
Dielectric Withstand (Hi-pot) Test

Primary to Secondary: 3000V AC for 1 min., 10mA

DC Output Connector

2.1 x 5.5mm Center Positive Barrel

Dimension Diagram Unit: mm (inch)



X-ON Electronics

Largest Supplier of Electrical and Electronic Components

Click to view similar products for [Wall Mount AC Adapters](#) category:

Click to view products by [Phihong](#) manufacturer:

Other Similar products are found below :

[76000738](#) [76000756-B10](#) [ADP-163 E](#) [ADP-159 A](#) [PSAC05A-050L6](#) [RLMDT361800](#) [TE30A1803F01](#) [0650-00005](#) [P25A14E-R1C](#) [SWI24-12-N-P6R](#) [TRH25033-A-02E01-Level-VI](#) [DA5-050US-B](#) [DA5-050UK-B](#) [RLMDT701800](#) [76000756](#) [DA5-050EU-B](#) [WSU120-2000-R13](#) [5V1A-USB](#) [AC-DC ADAPTER 160W](#) [WSU120-2000-13](#) [WSU150-0800-13](#) [76000980](#) [WSU075-3200-13](#) [WSU090-2500-13](#) [WSU050-2000-R13](#) [WSU240-1000-13](#) [WSU090-3500-R13](#) [WSU075-1500-13](#) [WSU135-1330-13](#) [WSU045-1500-13](#) [WSU090-2500-R13](#) [WSU240-1500-13](#) [WSU180-0660-13](#) [WSU075-1500-R13](#) [WSU090-1300-13](#) [WSU180-1330-R13](#) [NTPS-24-TT-700](#) [BB-SMI1812VP230C1](#) [WSU150-1600-13](#) [WSU050-1500-13](#) [WSU090-0800-13](#) [WSU180-0450-13](#) [WSU150-0560-R13](#) [WSU135-0880-13](#) [WSU120-3000-13](#) [WSU120-1000-R13](#) [WSU090-1300-R13](#) [WSU060-4000-13](#) [WSU060-1250-13](#) [WSU050-4000-13](#)