



Smallest 30W Universal 2-Wire Input Adapter PSA30W Adapter is Level V Efficient



Features

- Very Small
- Low Cost
- Low Leakage
- Level V Efficiency Compliance
- Class B EMI
- Ecodesign ErP Directive 2009/125/EC Compliant
- Input Power Saving <0.2W

Applications

- Portable Equipment
- Peripherals
- Netbook Computing
- Gaming Machines

Safety Approvals

- CE
- TUV
- cUL/UL

Mechanical Characteristics

- Length: 80mm (3.14in)
- Width: 35mm (1.38in)
- Height: 24mm (0.94in)
- Weight: 110g (3.9oz)

Output Specifications

Model	DC Output Voltage Range	Load			Ripple P-P (max.)	Efficiency Level
		Min.	Max.	Peak.		
PSA30W-190A-R	18.05~19.95V	0A	1.6A	1.8A	190mV	V

INPUT:

AC Input Voltage Range
90 to 264VAC

AC Input Voltage Rating
100 to 240VAC

AC Input Frequency
47 to 63Hz

Max In-Rush Current
60A maximum for 230VAC at maximum load

AC Input Current
0.8A (RMS) maximum at 110VAC

Leakage Current
0.25mA maximum at all line conditions

Input Power Saving
<0.2W for 240VAC at no load

OUTPUT:

Output Power
30W continuous

Efficiency
Meets requirements for Level V marking

Hold up time
>5ms at 100VAC, 50Hz and full load

ENVIRONMENTAL

Operating Temperature 0 to 40°C
Storage Temperature -20 to 80°C

Operating Humidity 20 to 80% ±

EMI

EN55022 class B, FCC Part 15 class B

Immunity

IEC61000-4-2
IEC61000-4-3
IEC61000-4-4
IEC61000-4-5
IEC61000-4-6
IEC61000-4-8
IEC61000-4-11
EN61000-3-2
EN61000-3-3

Isolation (Hi-POT)

Input to Output: 3000VAC for 5mA, 1 minute

Insulation Resistance

Input to Output: 500VDC 100M ohm, 1minute

FEATURES

Over Current Protection

2.0~2.8A at nominal input and full load

Short Circuit Protection

The output can be shorted permanently without damage

Over Voltage Protection

23V (min) ~ 34V (max) Vo

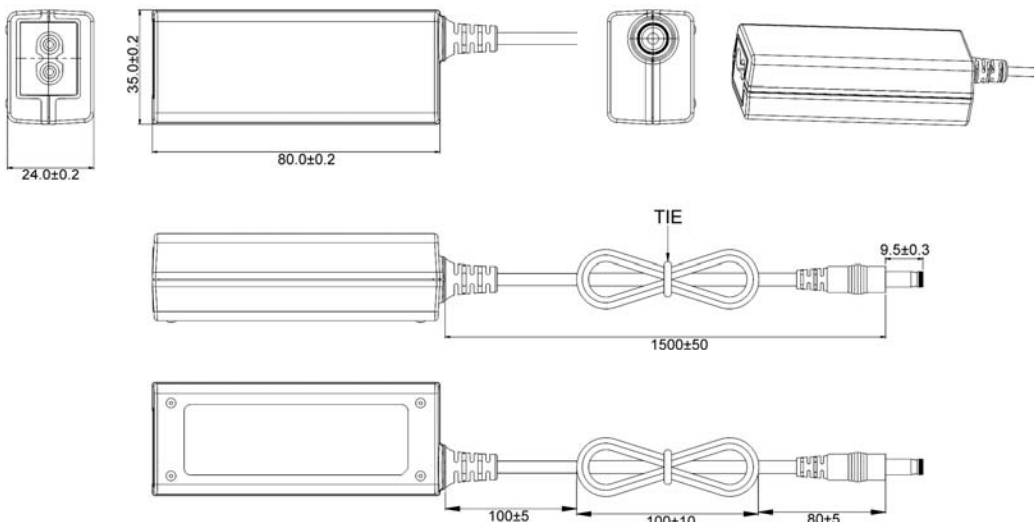
AC Input Connector

IEC320 C8 two-wire

DC Output Connector

2.5 x 5.5mm center positive barrel

Dimension Diagram Unit: mm



X-ON Electronics

Largest Supplier of Electrical and Electronic Components

Click to view similar products for [Desktop AC Adapters](#) category:

Click to view products by [Phihong](#) manufacturer:

Other Similar products are found below :

[212A2136](#) [ADP485-01](#) [SWA-1202](#) [SWA-1501](#) [212A2220](#) [KR8-PS01](#) [1894875](#) [FWE050024B-10A](#) [820A4080G](#) [825A0057-03](#) [SWA-1704W](#) [AD5012N2LM-\(401\)](#) [TRH21A120-49E03-Level-VI](#) [FWC100024A-11A](#) [FWE050012B-10A](#) [AC-DC ADAPTER 90W w/ Cable](#) [FWA065024A-11A](#) [PSA120U-560L6](#) [96PSA-A63W18V1-M](#) [1895235](#) [PW-C0725-W2-B](#) [57-U1](#) [57-U2](#) [SED80N2-16.0](#) [SED80N3-16.0](#) [RFQ43442-01](#) [YS50-1903150](#) [50966124050E](#) [MEA-045AA2C K-A](#) [PCM50UT04](#) [PCM50UT05](#) [CPSUNOTAKY-07056](#) [CPSUNOTAKY-07168](#) [CPSUNOTAKY-07169](#) [CPSUNOTAKY-07234](#) [CPSUNOTAKY-07236](#) [CPSUNOTAKY-07288](#) [CPSUNOTAKY-07312](#) [CPSUNOTAKY-07342](#) [CPSUNOTAKY-07388](#) [TE30A0503F01](#) [TE30A4803F01](#) [TE40A2403F01](#) [TE40A2403N01](#) [ME30A1803N01](#) [ME30A4803F01](#) [ME40A1203N01](#) [ME40A2403N01](#) [MENT1150A2451F01](#) [125530040F](#)