



## 60W Interchangeable Clip Wall Plug Series PSA60R Adapter Series Meets EISA and Ecodesign Regulations



### Features

- Class B EMI
- Very low leakage
- Ecodesign ErP Directive Compliant
- Double Insulated
- Efficiency Level V
- EISA Compliant
- Interchangeable AC Clips
- No load power saving

### Applications

- Portable Equipment
- Gaming Machines
- Networking
- Peripherals

### Safety Approvals

- CE
- SAA
- cUL/UL
- C-Tick

### Mechanical Characteristics

- Length: 103mm (4.06in)
- Width: 66mm (2.59in)
- Height: 40mm (1.57in)
- Weight: 270g (9.5oz)

### Output Specifications

Model	DC Output Voltage	Load		Ripple <sup>(1)</sup> P-P (max.)	Efficiency Level
		Min.	Max.		
PSA60R-120	12V	0A	5.0A	150mV	V
PSA60R-240	24V	0A	2.5A	240mV	V
PSA60R-560	56V	0A	1.07A	560mV	V

Note (1): Measured with by-pass capacitors 0.1uf/10uf at output connector terminal and oscilloscope set at 20MHz.

Phihong is not responsible for any error, and reserves the right to make changes without notice. Please visit our website at [www.phihong.com](http://www.phihong.com) for the most up-to-date specifications and contact information.

**Input:**

**AC Input Voltage Rating**  
100 to 240V AC

**AC Input Voltage Range**  
90 to 264V AC

**AC Input Frequency**  
47 to 63Hz

**Input Current**  
1.5A (RMS) maximum at 120V AC

**Leakage Current**  
0.25mA maximum

**Inrush Current**  
<60A for 100V AC at maximum load  
<100A for 240V AC at maximum load  
(Cold start at ambient 25°C)

**Input Power Saving**  
0.3W maximum at no load

**Rise Time**  
100mS maximum at full load, 120V AC

**Output:**  
**Efficiency**  
87-92%; meets requirements for Level V efficiency marking

**Environmental:**

**Temperature**  
Operation 0 to +40°C  
Non-operation -25 to +70°C  
Humidity 0 to 90%

**Emissions**  
FCC Class B  
EN55022 Class B

**Immunity**  
IEC61000-4-2 Level 4  
IEC61000-4-3  
IEC61000-4-4  
IEC61000-4-5  
IEC61000-4-6  
IEC61000-4-8  
IEC61000-4-11  
EN61000-3-2

**Over-Voltage/Over-Current Protection**  
Auto restart without damage

**Short-Circuit Protection**  
Output can be shorted without damage

**Dielectric Withstand (Hi-pot) Test**  
Input to Output: 3000V AC for 1 min., 10mA

**Insulation Resistance**  
Input to output: 7M ohm, 500V DC

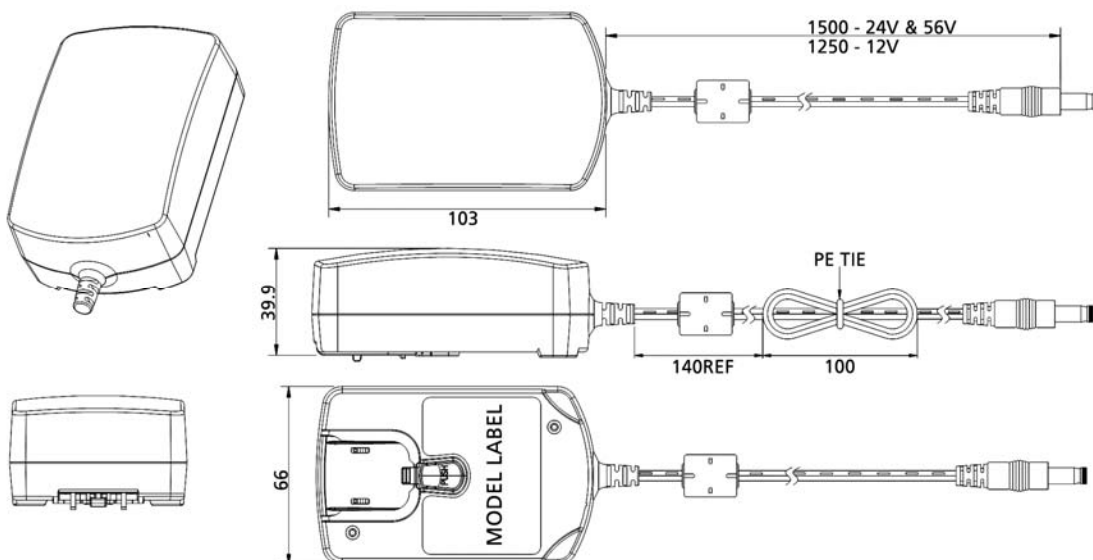
**DC Output Connector (Barrel Type)**  
2.1 x 5.5 x 9.5mm Center Positive Standard

**DC Cord Length**  
1.25m for 12V Model, 1.5m for 24V & 56V models

**AC Input Clips (sold separately)**

RPA: US	RPI: India
RPB: Brazil	RPK: UK
RPC: China	RPN: Argentina
RPE: Europe	RPS: Australia
RPH: Korea	RPX: IEC320 C8

**Dimension Diagram Unit: mm**



## X-ON Electronics

Largest Supplier of Electrical and Electronic Components

*Click to view similar products for [Wall Mount AC Adapters](#) category:*

*Click to view products by [Phihong](#) manufacturer:*

Other Similar products are found below :

[76000738](#) [76000756-B10](#) [ADP-163 E](#) [ADP-159 A](#) [PSAC05A-050L6](#) [RLMDT361800](#) [TE30A1803F01](#) [0650-00005](#) [P25A14E-R1C](#) [SWI24-12-N-P6R](#) [TRH25033-A-02E01-Level-VI](#) [DA5-050US-B](#) [DA5-050UK-B](#) [RLMDT701800](#) [76000756](#) [DA5-050EU-B](#) [WSU120-2000-R13](#) [5V1A-USB](#) [AC-DC ADAPTER 160W](#) [WSU120-2000-13](#) [WSU150-0800-13](#) [76000980](#) [WSU075-3200-13](#) [WSU090-2500-13](#) [WSU050-2000-R13](#) [WSU240-1000-13](#) [WSU090-3500-R13](#) [WSU075-1500-13](#) [WSU135-1330-13](#) [WSU045-1500-13](#) [WSU090-2500-R13](#) [WSU240-1500-13](#) [WSU180-0660-13](#) [WSU075-1500-R13](#) [WSU090-1300-13](#) [WSU180-1330-R13](#) [NTPS-24-TT-700](#) [BB-SMI1812VP230C1](#) [WSU150-1600-13](#) [WSU090-0800-13](#) [WSU180-0450-13](#) [WSU150-0560-R13](#) [WSU135-0880-13](#) [WSU120-3000-13](#) [WSU120-1000-R13](#) [WSU090-1300-R13](#) [WSU060-4000-13](#) [WSU060-1250-13](#) [WSU050-4000-13](#) [WSU045-2000-R13](#)