



6W Wall Mount Adapter



Features

- Double Insulated
- Efficiency Level VI Compliance
- Small Package Size
- Low Leakage Current
- Low Cost
- Class B EMI

Applications

- MPEG Players
- PDAs
- Personal Electronics
- Digital Cameras

Safety Approvals

- cUL/UL 60950-1

Mechanical Characteristics

- Length: 66.5mm (2.62in)
- Width: 28mm (1.1in)
- Height: 39mm (1.42in)
- Weight: 57g (2oz)

Output Specifications

Model	DC Output Voltage	Load		Ripple ¹ P-P (max.)	Regulation Line & Load
		Min.	Max.		
PSAA06A-120L6-R ²	12V	0A	0.5A	240mV	±5%

Notes:

1. Measured with an oscilloscope with 20MHz (or over) bandwidth. Outputs should be bypassed at a connector with a 0.1uF ceramic capacitor and a 10uF electrolytic capacitor.
2. Not recommended for new designs. Built to order.

Phihong is not responsible for any error, and reserves the right to make changes without notice. Please visit our website at www.phihong.com for the most up-to-date specifications and contact information.

INPUT**AC Input Voltage Rating**

100 to 240V AC

AC Input Voltage Range

90 to 264V AC

AC Input Frequency

47 to 63Hz

Input Current

0.2A (RMS) maximum at 115V AC

0.1A (RMS) maximum at 230V AC

Leakage Current

<0.25mA at 264V AC

Inrush Current

40A maximum at 115V AC/60Hz

60A maximum at 230V AC/50Hz

(Cold start at ambient 25°C)

Input Power Saving $\leq 0.075W$ @no load at 115VAC/60Hz,

230VAC/50Hz

OUTPUT**Efficiency**

DoE Level VI

ENVIRONMENTAL:**Temperature**

Operation 0 to +40°C

Non-operation -25 to +85°C

Humidity 10 to 90%

Emissions

Complies with FCC Class B

Complies with EN55032 Class B

Immunity

EN 61000-4-2 Criteria B

EN 61000-4-3 Criteria A

EN 61000-4-4 Criteria B

EN 61000-4-5 Criteria B

EN 61000-4-6 Criteria A

EN 61000-4-8 Criteria A

EN 61000-4-11

Over-Voltage Protection

<20.4V max at 90-264Vac, max load

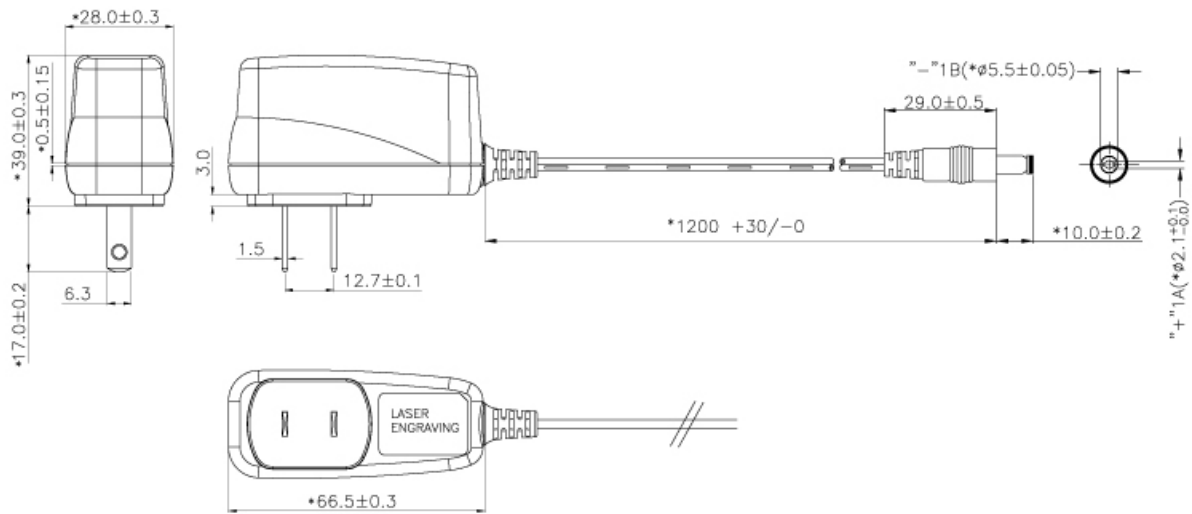
Over-Current Protection

<1A max at 90-264Vac, max load

Dielectric Withstand (Hi-pot) TestPrimary to Secondary: 3000V AC for 1 min.,
10mA**DC Output Connector**

2.1mm x 5.5mm x 10.0mm

Dimension Diagram Unit: mm





**Supplier's Declaration of Conformity
47 CFR § 2.1077 Compliance Information**

Phihong USA Corporation
47800 Fremont Boulevard
Fremont, CA 94538
Telephone: (510) 445-0100
www.phihong.com

This device complies with/The devices in this product series comply with part 15 of the FCC Rules. Operation is subject to the following two conditions: (1) This device may not cause harmful interference, and (2) this device must accept any interference received, including interference that may cause undesired operation.

X-ON Electronics

Largest Supplier of Electrical and Electronic Components

Click to view similar products for [Wall Mount AC Adapters](#) category:

Click to view products by [Phihong](#) manufacturer:

Other Similar products are found below :

[ADP-163 E](#) [ADP-167 J](#) [ADP-168 K](#) [ADP-159 A](#) [ADP-165 G](#) [PSAC05A-050L6](#) [RLMDT361800](#) [P25A14E-R1C](#) [DA10-050CH](#) [DA5-050US-B](#) [DA10-050UK](#) [RLMDT701800](#) [WSU120-2000-R13](#) [WSU180-1330-13](#) [AC-DC ADAPTER 160W](#) [WSU120-2000-13](#) [WSU150-0800-13](#) [WSU075-3200-13](#) [WSU060-2000-R13](#) [WSU090-2500-13](#) [WSU050-2000-R13](#) [WSU240-1000-13](#) [WSU240-0500-R13](#) [WSU075-1500-13](#) [WSU050-3000-13](#) [WSU120-1500-13](#) [WSU120-1500-R13](#) [WSU045-1500-13](#) [WSU240-0750-13](#) [WSU090-2500-R13](#) [WSU240-1500-13](#) [WSU180-0660-13](#) [WSU075-1500-R13](#) [WSU090-1300-13](#) [WSU180-1330-R13](#) [BB-SMI1812VP230C1](#) [WSU050-1500-13](#) [WSU090-0800-13](#) [WSU120-0700-13](#) [WSU045-3000-13](#) [WSU180-0450-13](#) [WSU150-0560-R13](#) [WSU135-0880-13](#) [WSU120-3000-13](#) [WSU120-1000-R13](#) [WSU090-1300-R13](#) [WSU060-4000-13](#) [WSU060-1250-R13](#) [WSU060-1250-13](#) [WSU045-2000-R13](#)