



10W Compact Fixed Blade USB Adapter



Features

- Fixed Blade
- Very low leakage
- Level VI Compliant
- Low Cost
- 5 Star Standby power <0.03W
- OVP, OCP and short circuit protection

Applications

- Tablets
- Portable GPS Devices
- Personal Electronics
- Digital Camera

Safety Approvals

- cUL/UL

Mechanical Characteristics

- Length: 47mm (1.88in)
- Width: 38mm (1.48in)
- Height: 22.3mm (0.87in)
- Weight: 40g (1.41oz)

Output Specifications

Model	DC Output Voltage	Load		Ripple ¹ P-P (max)	Regulation		Case Color
		Min.	Max.		Line	Load	
PSAA10A-050QL6A-H	5V	0A	2.0A	150mV	±5%		Black
PSAA10A-050QL6W-H	5V	0A	2.0A	150mV	±5%		White

Note: (1) Measured after 10 minutes with by-pass capacitors 0.1uF // 10uF at output connector terminal and oscilloscope set at 20MHz.

Phihong is not responsible for any error, and reserves the right to make changes without notice. Please visit our website at www.phihong.com for the most up-to-date specifications and contact information.

INPUT:**AC Input Voltage Rating**

100 to 240VAC

AC Input Voltage Range

90 to 264VAC

AC Input Current

0.28A (RMS) maximum at 115VAC input

0.16A (RMS) maximum at 230VAC input

Leakage Current20 μ A maximum @254Vac/50Hz**Inrush Current (cold)**

<60A for 240VAC at max. load

(Cold start @ ambient 25°C)

Input Power Saving \leq 30mW @no load at 230Vac/50Hz**OUTPUT:****Power**

10W Continuous

Efficiency

DOE Level VI

Hold-up Time

6mS minimum at 115Vac/60Hz

Emissions

Complies with FCC Class B

Complies with EN55022 Class B

ENVIRONMENTAL:**Temperature**

Operation 0°C to +40°C

Non-operation -20°C to +70°C

Humidity 90%

Immunity

ESD: EN61000-4-2 Level 4

RS: EN61000-4-3 Level 2

EFT: EN61000-4-4 Level 2

Surge: EN61000-4-5 Level 3

Dip: EN61000-4-11Level 3

Harmonic: EN61000-3-2

Flicker: EN61000-3-3

Dielectric Withstand (Hi-pot) Test

Primary to Secondary: 3000VAC, 10mA, for 1min

Insulation Resistance

Primary to Secondary: >10M ohm 500VDC

FEATURES**Over-voltage Protection**

Output voltage shall not exceed 8V

Over-current Protection

Output current shall not exceed 3A

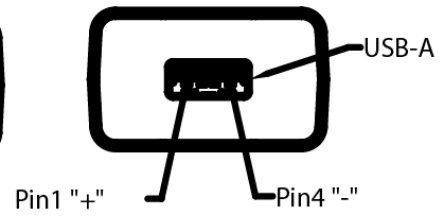
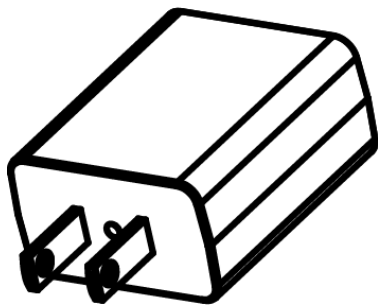
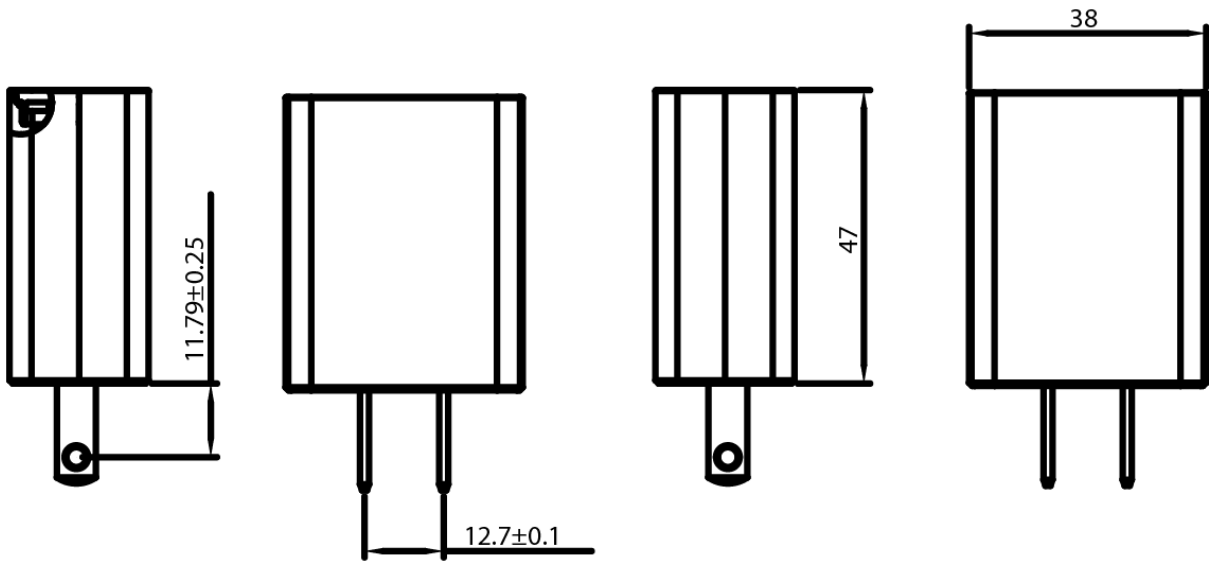
Short Circuit Protection

Auto recovery and no component damage

DC Output Connector

USB A

Dimension Diagram Unit: mm





**Supplier's Declaration of Conformity
47 CFR § 2.1077 Compliance Information**

Phihong USA Corporation
47800 Fremont Boulevard
Fremont, CA 94538
Telephone: (510) 445-0100
www.phihong.com

This device complies with/The devices in this product series comply with part 15 of the FCC Rules. Operation is subject to the following two conditions: (1) This device may not cause harmful interference, and (2) this device must accept any interference received, including interference that may cause undesired operation.

X-ON Electronics

Largest Supplier of Electrical and Electronic Components

Click to view similar products for [Wall Mount AC Adapters](#) category:

Click to view products by [Phihong](#) manufacturer:

Other Similar products are found below :

[ADP-163 E](#) [ADP-167 J](#) [ADP-168 K](#) [ADP-159 A](#) [ADP-165 G](#) [PSAC05A-050L6](#) [RLMDT361800](#) [P25A14E-R1C](#) [DA10-050CH](#) [DA5-050US-B](#) [DA10-050UK](#) [RLMDT701800](#) [WSU120-2000-R13](#) [WSU180-1330-13](#) [AC-DC ADAPTER 160W](#) [WSU120-2000-13](#) [WSU150-0800-13](#) [WSU075-3200-13](#) [WSU060-2000-R13](#) [WSU090-2500-13](#) [WSU050-2000-R13](#) [WSU240-1000-13](#) [WSU240-0500-R13](#) [WSU075-1500-13](#) [WSU050-3000-13](#) [WSU120-1500-13](#) [WSU120-1500-R13](#) [WSU045-1500-13](#) [WSU240-0750-13](#) [WSU090-2500-R13](#) [WSU240-1500-13](#) [WSU180-0660-13](#) [WSU075-1500-R13](#) [WSU090-1300-13](#) [WSU180-1330-R13](#) [BB-SMI1812VP230C1](#) [WSU050-1500-13](#) [WSU090-0800-13](#) [WSU120-0700-13](#) [WSU045-3000-13](#) [WSU180-0450-13](#) [WSU150-0560-R13](#) [WSU135-0880-13](#) [WSU120-3000-13](#) [WSU120-1000-R13](#) [WSU090-1300-R13](#) [WSU060-4000-13](#) [WSU060-1250-R13](#) [WSU060-1250-13](#) [WSU045-2000-R13](#)