



12W Wall Plug Adapter



Features

- Double Insulated
- Class B EMI
- < 0.075W No-Load Current
- DOE Level VI
- Over-Voltage & Short-Circuit protections

Applications

- Wireless Communications
- Networking
- Portable Equipment
- Peripherals

Safety Approvals

- UL/cUL 62638-1

Mechanical Characteristics

- Length: 71.2mm (2.80in)
- Width: 34mm (1.34in)
- Height: 46mm (1.81in)
- Weight: 85g (3.00oz) Ref

Output Specifications

Model	Prong Style	DC Output Voltage	Load		Ripple ¹ P-P (max.)	Regulation Line & Load
			Min.	Max.		
PSAA12A-120L6-R	US	12V	0A	1A	240mV	±5%

Notes:

1. Measured with by-pass capacitors 0.1uf /10uf at output connector terminal and oscilloscope set at 20 MHz (tested by oscilloscope) after 30 minutes warm-up

Input:**AC Input Voltage Rating**

100 to 240 V AC

AC Input Voltage Range

90 to 264V AC

AC Input Frequency

47 to 63Hz

Input Current

0.5A (RMS) max at 100VAC, max load

Leakage Current

0.25mA max

Inrush Current

60A @230VAC, 25°C, at max load

Input Power Saving

<0.075W at 230Vac, no load

Output:**Efficiency²**

DOE Level VI

Hold-up Time

10mS Min. at Max load and 120Vac 60Hz

Short Circuit Protection

Units protected against a continuous short circuit and over current condition over the operating range.

Over-Voltage Protection

Output voltage shall not exceed 20V

Over-Current Protection

2A max

Environmental:**Temperature**

Operation 0°C to +40°C

Non-operation -40°C to +85°C

Humidity 90%RH Max

Emissions

Complies with FCC Class B

Complies with EN55022 Class B

Immunity

EN50082-1:

EN61000-4-2 Level 4

EN61000-4-5 Level 3

EN61000-3-2

EN61000-3-3

EN55024

IEC610004-2

IEC610004-3

IEC610004-4

IEC610004-5

IEC610004-6

IEC610004-8

IEC610004-11

Dielectric Withstand (Hi-pot) Test

Primary to Secondary: 3000V AC for 1 min.,
10mA

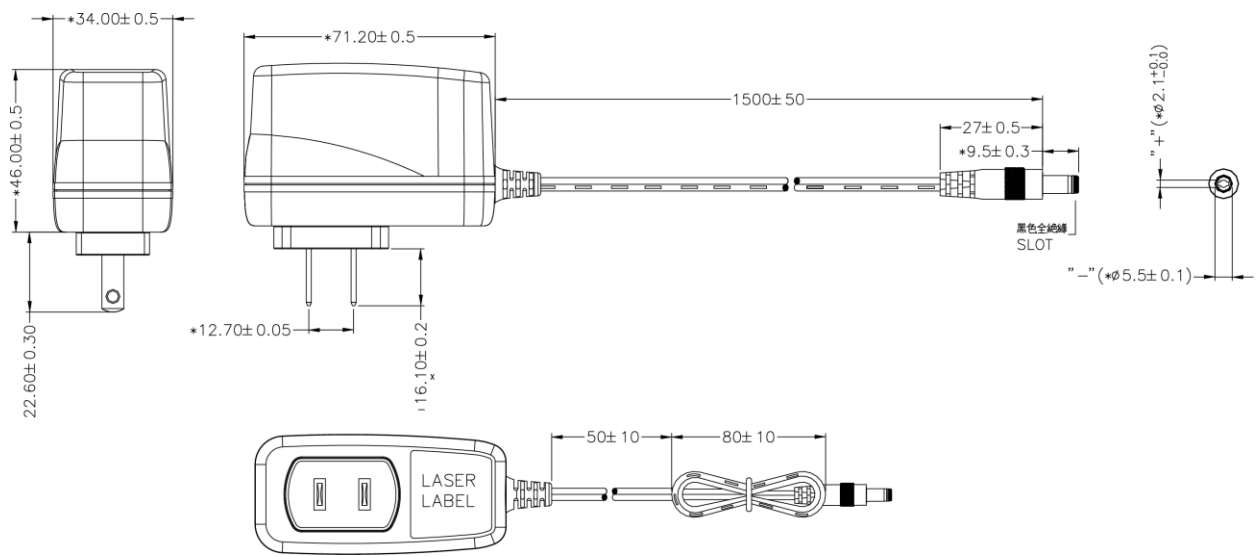
DC Output Connector

The output dc cord shall be 1200mm 26AWG in length. Matte black PVC insulation. DC plug: (-) GND outside; (+) Output inside

Notes:

1. The characteristics defined are at ambient temperature of 25°C unless otherwise specified
2. Efficiency is measured after 30 minutes burn-in

Dimension Diagram Unit: mm





**Supplier's Declaration of Conformity
47 CFR § 2.1077 Compliance Information**

Phihong USA Corporation
47800 Fremont Boulevard
Fremont, CA 94538
Telephone: (510) 445-0100
www.phihong.com

This device complies with/The devices in this product series comply with part 15 of the FCC Rules. Operation is subject to the following two conditions: (1) This device may not cause harmful interference, and (2) this device must accept any interference received, including interference that may cause undesired operation.

X-ON Electronics

Largest Supplier of Electrical and Electronic Components

Click to view similar products for [Wall Mount AC Adapters](#) category:

Click to view products by [Phihong](#) manufacturer:

Other Similar products are found below :

[ADP-163 E](#) [ADP-167 J](#) [ADP-168 K](#) [ADP-159 A](#) [ADP-165 G](#) [PSAC05A-050L6](#) [RLMDT361800](#) [P25A14E-R1C](#) [DA10-050CH](#) [DA5-050US-B](#) [DA10-050UK](#) [RLMDT701800](#) [WSU120-2000-R13](#) [WSU180-1330-13](#) [AC-DC ADAPTER 160W](#) [WSU120-2000-13](#) [WSU150-0800-13](#) [WSU075-3200-13](#) [WSU060-2000-R13](#) [WSU090-2500-13](#) [WSU050-2000-R13](#) [WSU240-1000-13](#) [WSU240-0500-R13](#) [WSU075-1500-13](#) [WSU050-3000-13](#) [WSU120-1500-13](#) [WSU120-1500-R13](#) [WSU045-1500-13](#) [WSU240-0750-13](#) [WSU090-2500-R13](#) [WSU240-1500-13](#) [WSU180-0660-13](#) [WSU075-1500-R13](#) [WSU090-1300-13](#) [WSU180-1330-R13](#) [BB-SMI1812VP230C1](#) [WSU050-1500-13](#) [WSU090-0800-13](#) [WSU120-0700-13](#) [WSU045-3000-13](#) [WSU180-0450-13](#) [WSU150-0560-R13](#) [WSU135-0880-13](#) [WSU120-3000-13](#) [WSU120-1000-R13](#) [WSU090-1300-R13](#) [WSU060-4000-13](#) [WSU060-1250-R13](#) [WSU060-1250-13](#) [WSU045-2000-R13](#)