



**15 Watt Universal 2-Wire Input Desktop Adapter  
PSAA15W Single Output Series Meets Level V Requirements**



**Features**

- No Load Power Saving <0.3W
- Efficiency Level V Compliance
- Class B EMI
- <0.25mA Leakage Current
- Compact Size

**Applications**

- Portable Equipment
- Peripherals and Terminals
- Low-Power Computers
- Networking

**Safety Approvals**

- CE
- cUL/UL

**Mechanical Characteristics**

- Length: 81.2mm (3.20in)
- Width: 50mm (1.97in)
- Height: 29.8mm (1.17in)
- Weight: 140g (4.94oz)

**Output Specifications**

Model	DC Output Voltage	Load		Ripple P-P (max.)	Regulation Line & Load	Efficiency Level
		Min.	Max.			
PSAA15W-050V	5V	0A	3.00A	70mV	±5%	V
PSAA15W-120V	12V	0A	1.25A	120mV	±5%	V
PSAA15W-180V	18V	0A	0.83A	180mV	±5%	V
PSAA15W-240V	24V	0A	0.63A	240mV	±5%	V
PSAA15W-480V	48V	0A	0.31A	480mV	±5%	V

Phihong is not responsible for any error, and reserves the right to make changes without notice. Please visit our website at [www.phihong.com](http://www.phihong.com) for the most up-to-date specifications and contact information.

**Input:**

**AC Input Voltage Rating**

100 to 240V AC

**AC Input Voltage Range**

90 to 264V AC

**AC Input Frequency**

47 to 63Hz

**Input Current**

0.5A (RMS) maximum at 120V AC

0.25A (RMS) maximum at 240V AC

**Leakage Current**

0.25mA maximum

**Inrush Current**

30A for 120V AC at maximum load

60A for 240V AC at maximum load

(Cold start at ambient 25°C)

**Input Power Saving**

<0.3W maximum at no load

**Output:**

**Efficiency**

Meets requirements for Level V marking

**Hold-up Time**

10mS minimum at 120V AC and maximum load

**Environmental:**

**Temperature**

Operation 0 to +40°C

Non-operation -25 to +75°C

Humidity 20 to 90%

**Emissions**

FCC Class B

EN55022 Class B

**Immunity**

IEC61000-4-2

IEC61000-4-3

IEC61000-4-4

IEC61000-4-5

IEC61000-4-6

IEC61000-4-8

IEC61000-4-11

EN61000-3-2

**Over Voltage Protection**

By Zener clamping, adapter will be shut down

**Over Current Protection**

Output equipped with short circuit protection with auto restart

**Short Circuit Protection**

Output can be shorted without damage

**Dielectric Withstand (Hi-pot) Test**

Primary to Secondary: 3000VAC for 1 minute, 10mA

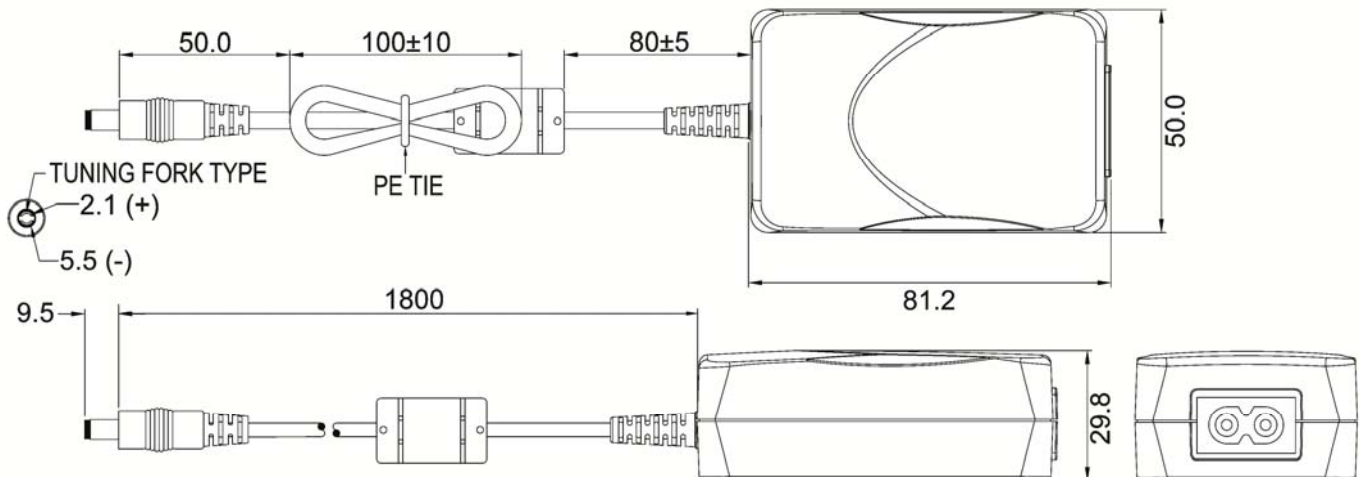
**DC Output Connector (Tuning Fork Type)**

2.1 x 5.5 x 9.5mm Center Positive Standard

**AC Input Connector**

IEC320 C8

**Dimension Diagram Unit: mm**



## X-ON Electronics

Largest Supplier of Electrical and Electronic Components

*Click to view similar products for [Desktop AC Adapters](#) category:*

*Click to view products by [Phihong](#) manufacturer:*

Other Similar products are found below :

[212A2136](#) [ADP485-01](#) [SWA-1202](#) [SWA-1501](#) [212A2220](#) [KR8-PS01](#) [1894875](#) [FWE050024B-10A](#) [820A4080G](#) [825A0057-03](#) [SWA-1704W](#) [AD5012N2LM-\(401\)](#) [TRH21A120-49E03-Level-VI](#) [FWC100024A-11A](#) [FWE050012B-10A](#) [AC-DC ADAPTER 90W w/ Cable](#) [FWA065024A-11A](#) [PSA120U-560L6](#) [96PSA-A63W18V1-M](#) [1895235](#) [PW-C0725-W2-B](#) [57-U1](#) [57-U2](#) [SED80N2-16.0](#) [SED80N3-16.0](#) [RFQ43442-01](#) [YS50-1903150](#) [50966124050E](#) [MEA-045AA2C K-A](#) [PCM50UT04](#) [PCM50UT05](#) [CPSUNOTAKY-07056](#) [CPSUNOTAKY-07168](#) [CPSUNOTAKY-07169](#) [CPSUNOTAKY-07234](#) [CPSUNOTAKY-07236](#) [CPSUNOTAKY-07288](#) [CPSUNOTAKY-07312](#) [CPSUNOTAKY-07342](#) [CPSUNOTAKY-07388](#) [TE30A0503F01](#) [TE30A4803F01](#) [TE40A2403F01](#) [TE40A2403N01](#) [ME30A1803N01](#) [ME30A4803F01](#) [ME40A1203N01](#) [ME40A2403N01](#) [MENT1150A2451F01](#) [125530040F](#)