



18 Watt Universal 3-Wire Input Adapter PSAA18U Adapter Meets EISA and Ecodesign Requirements



Features

- Low Cost
- Efficiency Level V Compliance
- Ecodesign ErP Directive 2009/125/EC level 2 annex 1b Compliant
- Non-vented/Spill-proof Case
- Low Profile Design
- Class B EMI

Applications

- Portable Equipment
- Access Devices
- Peripherals
- Network Hubs

Safety Approvals

- cUL/UL
- CE

Mechanical Characteristics

- Length: 103mm (4.06in)
- Width: 49mm (1.93in)
- Height: 33.5mm (1.32in)
- Weight: 140g (4.94oz.)

Output Specifications

Model	DC Output Voltage	Load		Ripple ⁽¹⁾ P-P (max.)	Regulation Line & Load	Efficiency Level
		Min.	Max.			
PSAA18U-090	+9V	0A	2.0A	110mV	±5%	Ⓧ
PSAA18U-120	+12V	0A	1.5A	120mV	±5%	Ⓧ
PSAA18U-150	+15V	0A	1.2A	150mV	±5%	Ⓧ
PSAA18U-240	+24V	0A	0.75A	240mV	±5%	Ⓧ

(1) Measured after 10 minutes warm up at 25°C with 12-inch twisted pair terminated with a 10uF capacitor and 0.1uF ceramic in parallel.

Phihong is not responsible for any error, and reserves the right to make changes without notice. Please visit our website at www.phihong.com for the most up-to-date specifications and contact information.

Input:

AC Input Voltage Rating

100 to 240V AC

AC Input Voltage Range

90 to 264V AC

AC Input Frequency

47 to 63Hz

Input Current

0.6A (RMS) maximum at 100V AC

0.3A (RMS) maximum at 240V AC

Leakage Current

0.25mA maximum at 250V AC and 50Hz

Inrush Current

60A for 100V AC at maximum load

150A for 240V AC at maximum load

(Cold start at ambient 25°C)

Input Power Saving

0.3W maximum at no load

Output:

Efficiency

≥80.3% average efficiency

Compliant for Level V Marking

Over-Voltage Protection

Auto restart

Over-Current Protection

Auto restart

Short-Circuit Protection

Output can be shorted permanently without damage

Environmental:

Temperature

Operation 0 to +40°C

Non-operation -20 to +75°C

Relative Humidity 0 to 90%

Emissions

FCC Class B

EN55022 Class B/CISPR22 Class B

Immunity

EN50082-1: (EN55024)

EN61000-4-2 Level 4

EN61000-4-3 Level 2

EN61000-4-4 Level 2

EN61000-4-5 Level 3

EN61000-4-6 Level 2

EN61000-4-8 Level 1

EN61000-4-11

Insulation Resistance

Input to Output : > 10M ohm, 500V DC

Input to Field Ground: > 10M ohm, 500V DC

Dielectric Withstand (Hi-pot) Test

Primary to Secondary: 3000V AC for 1 min., 10mA

Primary to F.G.: 1500V AC for 1 min., 10mA

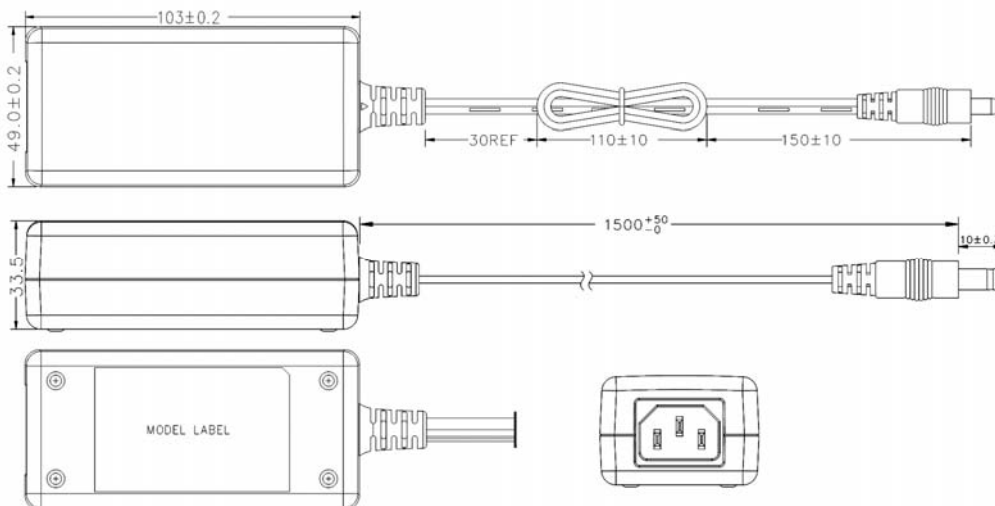
Input Connector

IEC C14

DC Output Connector

2.1mm x 5.5mm center positive standard

Dimension Diagram Unit: mm



X-ON Electronics

Largest Supplier of Electrical and Electronic Components

Click to view similar products for [Desktop AC Adapters](#) category:

Click to view products by [Phihong](#) manufacturer:

Other Similar products are found below :

[YS50-1903150](#) [DTA27-3X-W-5](#) [212A2136](#) [ADP485-01](#) [SWA-1202](#) [SWA-1501](#) [212A2220](#) [432703037451](#) [TRH100A280-01E13-Level-VI](#)
[TRH100A280-11E13-Level-VI](#) [TRH50A120-12E01-Level-VI](#) [TRH50A120-40E01-Level-VI](#) [TRH50A150-12E12-Level-VI](#) [TRH50A180-11E03-Level-VI](#) [TRH70A120-11E01-Level-VI](#) [TRH70A150-02E02-Level-VI](#) [TRH70A190-11E03-Level-VI](#) [TRH70A240-11E03-Level-VI](#)
[TRH70A480-11E03-Level-VI](#) [DA10-050US](#) [DTA27-0512FWX-W3](#) [TRH100A120-02E12-Level-VI](#) [TRH100A150-11E12-Level-VI](#)
[TRH100A240-36E13-Level-VI](#) [TRH100A280-12E13-Level-VI](#) [TRH50A120-11E01-Level-VI](#) [TRH50A120-49E01-Level-VI](#) [TRH50A150-12E02-Level-VI](#) [TRH70A120-01E01-Level-VI](#) [KR8-PS01](#) [1894875](#) [FWE030012A-10A](#) [FWE050024B-10A](#) [820A4080G](#) [825A0057-03](#)
[SWA-1704W](#) [AD5012N2LM-\(401\)](#) [DA10-050CH](#) [SDI65-24-UDC-P5R](#) [DA10-050UK](#) [TRH70A180-11E03-Level-VI](#) [TRH21A120-49E03-Level-VI](#) [TRH100A240-12E13-Level-VI](#) [TRH70A150-11E02-Level-VI](#) [TRH70A120-23E11-Level-VI](#) [TRH70A240-02E03-Level-VI](#)
[TRH70A190-12E03-Level-VI](#) [FWE050012B-10A](#) [AC-DC ADAPTER 90W w/ Cable](#) [PWR-247-CE](#)