



20 Watt Interchangeable Plug Series



Interchangeable Clips Sold Separately



Features

- Efficiency Level VI Compliant
- Class B EMI
- Ecodesign ErP Directive 2009/125/EC Level 2 annex 1b Compliant
- No-load Power Saving
- High Efficiency
- Compact Size
- Class II Double Insulated

Applications

- Peripherals
- Gaming Machines
- Point of Sale Equipment
- Network Equipment

Safety Approvals

- UL/cUL 60950-1
- CE
- CB
- SAA+C-TICK+MEPS

Mechanical Characteristics

- Length: 82.7mm (3.26in)
- Width: 55mm (2.17in)
- Height: 39mm (1.54in)
- Weight: 180g (6.35oz)

Output Specifications

Model	DC Output Voltage	Load		Regulation		Ripple ¹ P-P (max.)	Output Power
		Min.	Max.	Line	Load		
PSAA20R-050L6	5V	0A	4.00A	±5%		100mV	20W

Notes:1- Measured with by-pass capacitors 0.1uF/10uF at output connector terminal & oscilloscope set at 20 MHz.(30 minute warm up period)

Phihong is not responsible for any error, and reserves the right to make changes without notice. Please visit our website at www.phihong.com for the most up-to-date specifications and contact information.

Input:**AC Input Voltage Rating**

100 to 240V AC

AC Input Voltage Range

90V AC to 264V AC

AC Input Frequency

47 to 63Hz

Input Current

0.8A (RMS) Max. @120VAC & Max. load

0.5A (RMS) Max. @240VAC & Max. load

Leakage Current

0.25mA maximum at 264V AC/60Hz

Inrush Current

60A Max. @100VAC & Max. load

100A Max. @240VAC & Max. load (Cold start at ambient 25°C)

Input Power Saving

<0.1W Max. @230VAC, 50Hz

Output**Efficiency**

DOE Level VI

Hold-up Time

10ms Min. @ full load 115VAC/ 60Hz

Over-Current Protection

Auto Restart.

Short-Circuit Protection

Output can be shorted permanently without damage

Over Voltage Protection

10VDC max

Environmental:**Temperature**

Operation 0 to +40°C

Non-operation -20 to +75°C

Humidity 20 to 90%

Emissions

Complies with FCC Class B

Complies with EN55032 Class B

Immunity

EN61000-4-2 Level 4

EN61000-4-3 Level 2

EN61000-4-4 Level 2

EN61000-4-5 Level 2

EN61000-4-6 Level 2

EN61000-4-8 Level 1

EN61000-4-11

Dielectric Withstand (Hi-pot) TestPrimary to Secondary: 3000 Vac or 4242 Vdc ,
10 mA 1minute. 3600 Vac or 5090 Vdc , 10
mA 3Second.**DC Output Connector**2.1mm x 5.5mm x 10mm Center conductor
positive**DC Cord Length**

1000mm

AC Input clips (sold separately)

RPA – US

RPB – Brazil

RPC – China

RPE – Europe

RPH – Korea

RPI – India

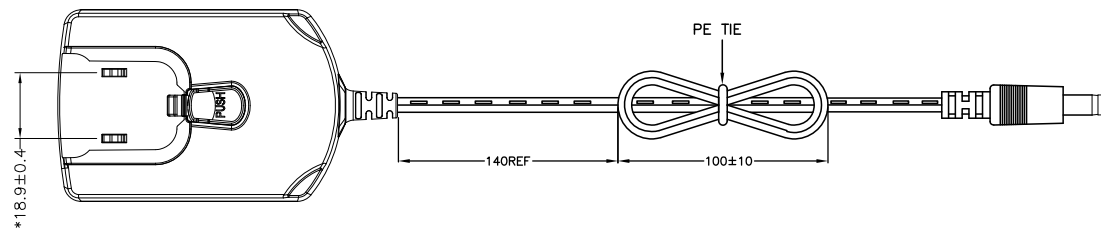
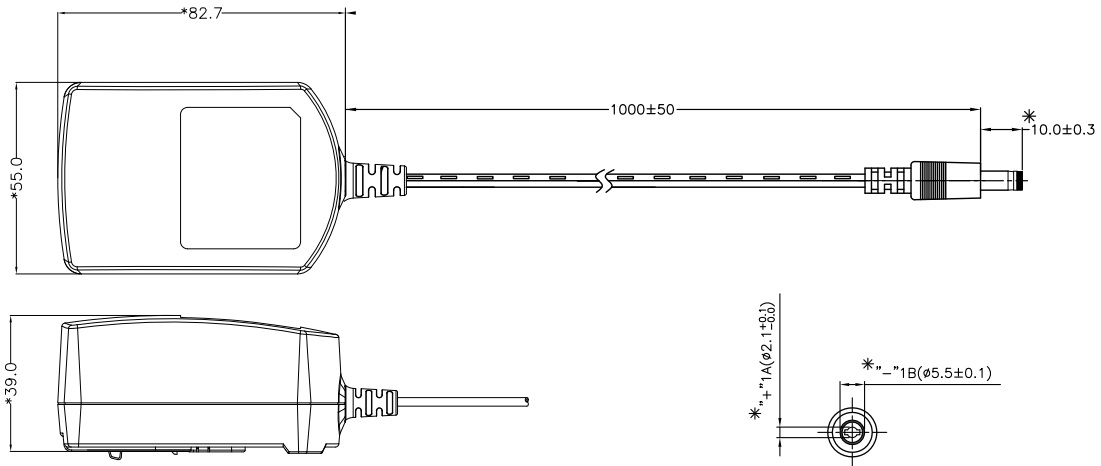
RPK – UK

RPN – Argentina

RPS – Australia

RPX – IEC320 C8

Dimension Diagram Unit: mm (inch)



X-ON Electronics

Largest Supplier of Electrical and Electronic Components

Click to view similar products for [Wall Mount AC Adapters](#) category:

Click to view products by [Phihong](#) manufacturer:

Other Similar products are found below :

[ADP-163 E](#) [ADP-167 J](#) [ADP-168 K](#) [ADP-159 A](#) [ADP-165 G](#) [PSAC05A-050L6](#) [RLMDT361800](#) [P25A14E-R1C](#) [DA10-050CH](#) [DA5-050US-B](#) [DA10-050UK](#) [RLMDT701800](#) [WSU120-2000-R13](#) [WSU180-1330-13](#) [AC-DC ADAPTER 160W](#) [WSU120-2000-13](#) [WSU150-0800-13](#) [WSU075-3200-13](#) [WSU060-2000-R13](#) [WSU090-2500-13](#) [WSU050-2000-R13](#) [WSU240-1000-13](#) [WSU240-0500-R13](#) [WSU075-1500-13](#) [WSU050-3000-13](#) [WSU120-1500-13](#) [WSU120-1500-R13](#) [WSU045-1500-13](#) [WSU240-0750-13](#) [WSU090-2500-R13](#) [WSU240-1500-13](#) [WSU180-0660-13](#) [WSU075-1500-R13](#) [WSU090-1300-13](#) [WSU180-1330-R13](#) [BB-SMI1812VP230C1](#) [WSU050-1500-13](#) [WSU090-0800-13](#) [WSU120-0700-13](#) [WSU045-3000-13](#) [WSU180-0450-13](#) [WSU150-0560-R13](#) [WSU135-0880-13](#) [WSU120-3000-13](#) [WSU120-1000-R13](#) [WSU090-1300-R13](#) [WSU060-4000-13](#) [WSU060-1250-R13](#) [WSU060-1250-13](#) [WSU045-2000-R13](#)