



**60 Watt Universal 2-Wire Input Adapter  
PSAA60W Power Supply Meets EISA & Ecodesign Requirements**



**Features**

- Low Cost
- Efficiency Level V Compliance<sup>(1)</sup>
- Class B EMI
- Ecodesign ErP Directive 2009/125/EC level 2 annex 1b Compliant<sup>(1)</sup>
- Non-vented/Spill-proof Case
- No Load Power consumption <0.5W
- Low Profile Design
- EISA Compliant

**Applications**

- Portable Equipment
- Peripherals
- Networking
- Gaming Machines

**Safety Approvals**

- cUL/UL
- CE
- TUV

**Mechanical Characteristics**

- Length: 130mm (5.12in)
- Width: 60mm (2.36in)
- Height: 32mm (1.30in)
- Weight: 300g (10.58oz)

**Output Specifications**

Model	DC Output Voltage	Load		Ripple <sup>(2)</sup> P-P (max.)	Regulation Line & Load	Efficiency Level <sup>(3)</sup>
		Min.	Max.			
PSAA60W-120	+12V	0A	5.0A	120mV	±5%	IV
PSAA60W-150	+15V	0A	4.0A	150mV	±5%	V
PSAA60W-180	+18V	0A	3.3A	180mV	±5%	V
PSAA60W-240	+24V	0A	2.5A	240mV	±5%	V
PSAA60W-480	+48V	0A	1.25A	480mV	±5%	V

(1) Excludes 12V model which remains Level IV. Products not meeting requirements for Ecodesign Directive may not longer be shipped to the European Union for commercial or consumer purposes.  
 (2) Measured after 10 minutes warm up at 25°C with 12-inch twisted pair terminated with a 10uF capacitor and 0.1uF ceramic in parallel.  
 (3) 15V-48V models may be marked as Level IV despite Level V compliance. If Level V marking is required, please contact Phihong directly to ensure stock is marked accordingly.

Phihong is not responsible for any error, and reserves the right to make changes without notice. Please visit our website at [www.phihong.com](http://www.phihong.com) for the most up-to-date specifications and contact information.

**Input:**

**AC Input Voltage Rating**

100 to 240V AC

**AC Input Frequency**

47 to 63Hz

**Input Current**

1.6A at 100V AC

0.7A at 240V AC

**Leakage Current**

0.25mA maximum at 254V AC and 60Hz

**Inrush Current**

90A maximum at 100V AC

150A maximum at 240V AC

**Input Power Saving**

<0.5W at no load

**Output:**

**Output Power**

60W

**Efficiency**

Meets Level V efficiency requirements

**Environmental:**

**Temperature**

Operation 0 to +40°C

Non-operation -20 to +80°C

Humidity 10 to 90%

**Emissions**

FCC Class B

EN55022 Class B

VCCI Class B

**Immunity**

IEC61000-4-2

IEC61000-4-3

IEC61000-4-4

IEC61000-4-5

IEC61000-4-6

IEC61000-4-11

EN61000-3-2

**Over-Voltage Protection**

Circuit will latch then auto-restart.

**Over-Current Protection**

Circuit will latch

**Short-Circuit Protection**

Output can be shorted permanently without damage

**Isolation**

Primary to Secondary: 500V DC >100M OHM

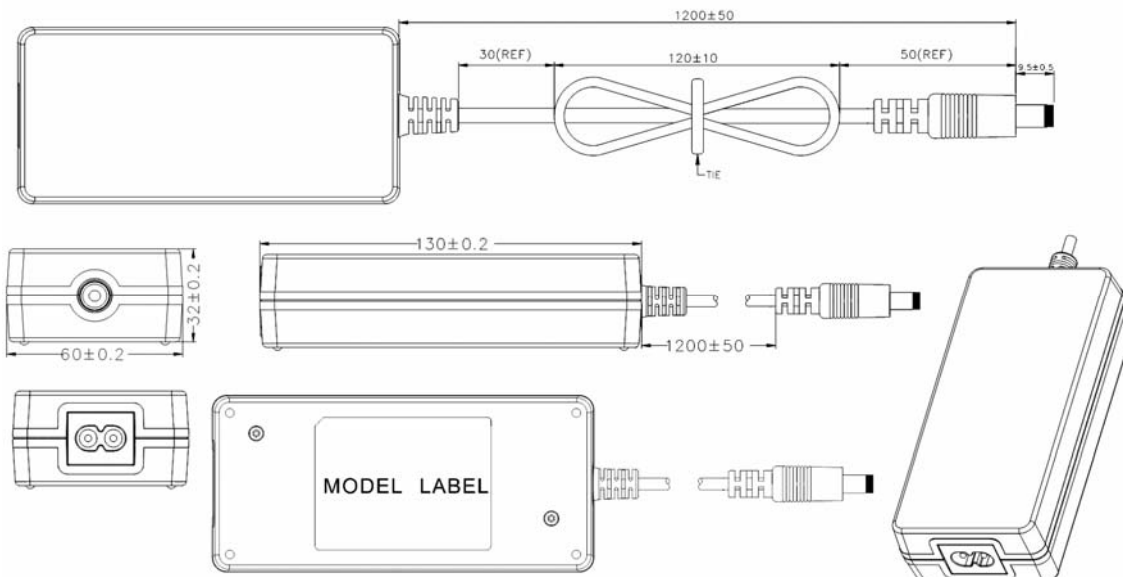
**Dielectric Withstand (Hi-pot) Test**

Primary to Secondary: 3000V AC for 1 min., 10mA

**DC Output Connector**

2.1 x 5.5 x 9.5mm Center Positive Barrel

**Dimension Diagram Unit: mm (inch)**



## X-ON Electronics

Largest Supplier of Electrical and Electronic Components

*Click to view similar products for [Desktop AC Adapters](#) category:*

*Click to view products by [Phihong](#) manufacturer:*

Other Similar products are found below :

[YS50-1903150](#) [DTA27-3X-W-5](#) [212A2136](#) [ADP485-01](#) [SWA-1202](#) [SWA-1501](#) [212A2220](#) [432703037451](#) [TRH100A280-01E13-Level-VI](#)  
[TRH100A280-11E13-Level-VI](#) [TRH50A120-12E01-Level-VI](#) [TRH50A120-40E01-Level-VI](#) [TRH50A150-12E12-Level-VI](#) [TRH50A180-11E03-Level-VI](#) [TRH70A120-11E01-Level-VI](#) [TRH70A150-02E02-Level-VI](#) [TRH70A190-11E03-Level-VI](#) [TRH70A240-11E03-Level-VI](#)  
[TRH70A480-11E03-Level-VI](#) [DA10-050US](#) [DTA27-0512FWX-W3](#) [TRH100A120-02E12-Level-VI](#) [TRH100A150-11E12-Level-VI](#)  
[TRH100A240-36E13-Level-VI](#) [TRH100A280-12E13-Level-VI](#) [TRH50A120-11E01-Level-VI](#) [TRH50A120-49E01-Level-VI](#) [TRH50A150-12E02-Level-VI](#) [TRH70A120-01E01-Level-VI](#) [KR8-PS01](#) [1894875](#) [FWE030012A-10A](#) [FWE050024B-10A](#) [820A4080G](#) [825A0057-03](#)  
[SWA-1704W](#) [AD5012N2LM-\(401\)](#) [DA10-050CH](#) [SDI65-24-UDC-P5R](#) [DA10-050UK](#) [TRH70A180-11E03-Level-VI](#) [TRH21A120-49E03-Level-VI](#) [TRH100A240-12E13-Level-VI](#) [TRH70A150-11E02-Level-VI](#) [TRH70A120-23E11-Level-VI](#) [TRH70A240-02E03-Level-VI](#)  
[TRH50A240-12E03-Level-VI](#) [TRH70A190-12E03-Level-VI](#) [FWE050012B-10A](#) [AC-DC ADAPTER 90W w/ Cable](#)