



## 2.75W Compact Fixed Blade Charger with DC Cord



### Features

- North America Fixed Blade AC Input
- CC & CV control
- Level VI Efficiency
- Class 2 Output per UL1310
- Limited Power Source
- Class B EMI
- No Y Caps
- Standard Barrel Connector or Micro-B

### Applications

- MPEG Players
- PDAs
- Medical Test Device Charging
- Personal Electronics
- Digital Cameras
- Cordless Tools

### Safety Approvals

- cUL/UL

### Mechanical Characteristics

- Length: 39.4mm (1.65in)
- Width: 43mm (1.65in)
- Height: 21.0mm (0.87in)
- Weight: 45g (1.59oz)

### Output Specifications

Model	DC Output Voltage	Load		Ripple <sup>1</sup> P-P (max)	Regulation	
		Min.	Max.		Line	Load
PSM03A-050-R	5V	0A	0.55A	100mV	±5%	
PSM03A-050(M)-R <sup>2</sup>	5V	0A	0.55A	100mV	±5%	
PSM03A-075-R	7.5V	0A	0.366A	150mV	±5%	
PSM03A-090-R	9V	0A	0.305A	120mV	±5%	
PSM03A-120-R	12V	0A	0.229A	200mV	±5%	

Notes:

(1) Measured with by-pass capacitors 10uF electrolytic // 0.1uF ceramic capacitors across connector terminal with oscilloscope set at 20 MHz bandwidth

(2) This unit is terminated with Micro-B connector in place of standard DC cable.

Phihong is not responsible for any error, and reserves the right to make changes without notice. Please visit our website at [www.phihong.com](http://www.phihong.com) for the most up-to-date specifications and contact information.

**INPUT:**

**AC Input Voltage Rating**  
100 to 240VAC

**AC Input Voltage Range**  
90 to 264VAC

**AC Input Current**  
100mA (RMS) max.

**Leakage Current**  
0.25mA maximum

**No-Load Power Saving**  
0.01W maximum at 115VAC

**OUTPUT:**

**Power**  
2.75W Maximum

**Efficiency**  
DOE Level VI

**ENVIRONMENTAL:**

**Temperature**  
Operation           0 to +40°C  
Non-operation       -25 to +75°C  
Humidity             10 to 90%

**Immunity**

ESD:           EN61000-4-2. Level 4  
Surge:         EN61000-4-5. Level 4  
Harmonic:     EN61000-3-2  
Flicker:       EN61000-3-3

**EMI**

Complies with FCC Class B  
Complies with EN55032 Class B

**Dielectric Withstand (Hi-pot) Test**  
Primary to Secondary: 3000VAC, 10mA for 60s

**Insulation Resistance**  
Primary to Secondary: DC500V >7MΩ

**FEATURES**

**Over-voltage Protection**  
10V max. Auto restart

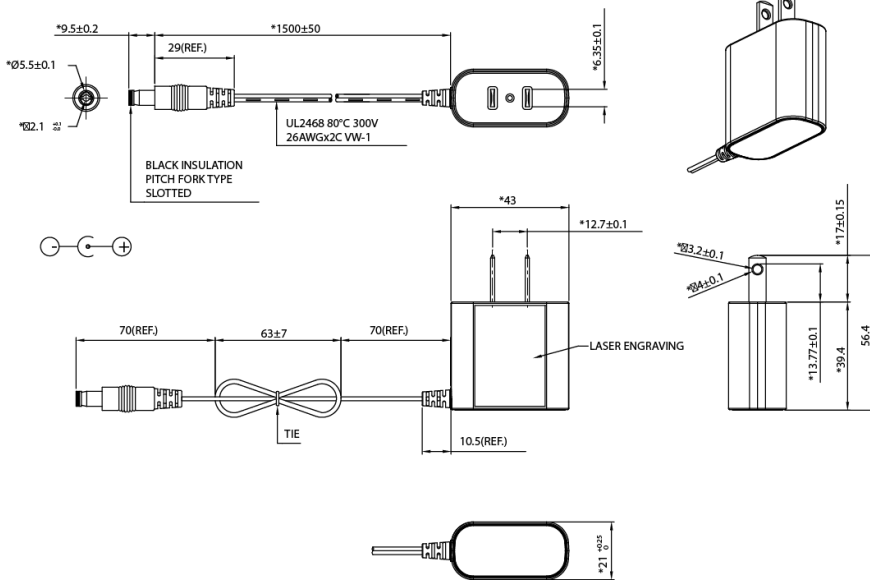
**Short-circuit Protection**  
The output can be shorted without damage.

**DC Cord**  
1500mm

**DC Output Connector**  
5.5mm x 2.1mm x 9.5 center positive barrel  
(M) Model - Micro USB  
Pin1: +5V  
Pin2: Short  
Pin3: Short  
Pin4: N/C  
Pin5: GND

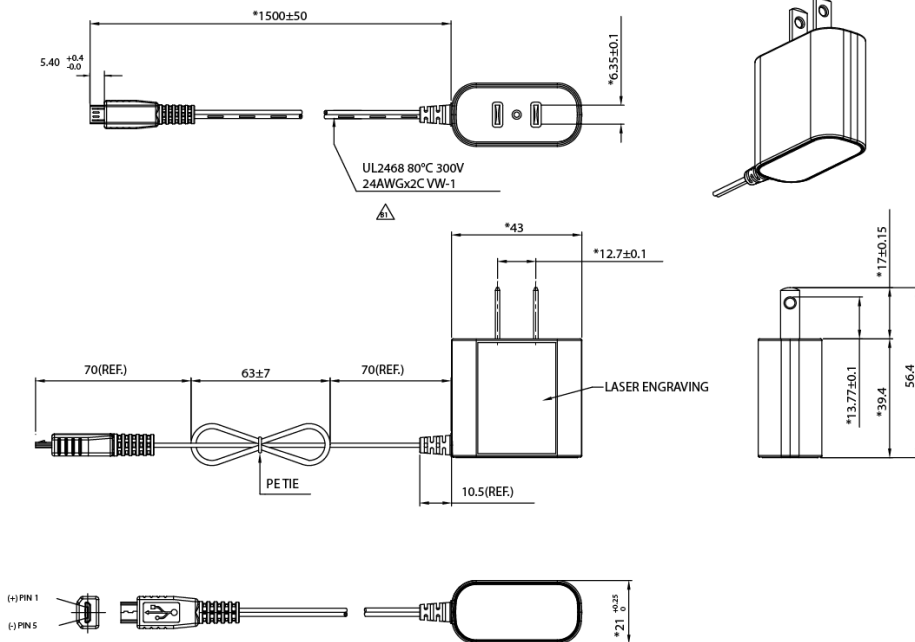
PSM03A-XXX-R

Dimension Diagram Unit: mm (inch)



PSM03A 050(M)-R

Dimension Diagram Unit: mm (inch)



**Supplier's Declaration of Conformity**  
**47 CFR § 2.1077 Compliance Information**

Phihong USA Corporation  
47800 Fremont Boulevard  
Fremont, CA 94538  
Telephone: (510) 445-0100  
[www.phihong.com](http://www.phihong.com)

NOTE: This model has/The models in this products series have been tested and found to comply with the limits for a Class B digital device, pursuant to part 15 of the FCC Rules. These limits are designed to provide reasonable protection against harmful interference in a residential installation. This equipment generates, uses and can radiate radio frequency energy and, if not installed and used in accordance with the instructions, may cause harmful interference to radio communications. However, there is no guarantee that interference will not occur in a particular installation. If this equipment does cause harmful interference to radio or television reception, which can be determined by turning the equipment off and on, the user is encouraged to try to correct the interference by one or more of the following measures:

- Reorient or relocate the receiving antenna.
- Increase the separation between the equipment and receiver.
- Connect the equipment into an outlet on a circuit different from that to which the receiver is connected.
- Consult the dealer or an experienced radio/TV technician for help.

Changes or modifications to equipment not expressly approved by PHIHONG could void the user's authority to operate the equipment.

## X-ON Electronics

Largest Supplier of Electrical and Electronic Components

*Click to view similar products for [Wall Mount AC Adapters](#) category:*

*Click to view products by [Phihong](#) manufacturer:*

Other Similar products are found below :

[ADP-163 E](#) [ADP-167 J](#) [ADP-168 K](#) [ADP-159 A](#) [ADP-165 G](#) [PSAC05A-050L6](#) [RLMDT361800](#) [P25A14E-R1C](#) [DA10-050CH](#) [DA5-050US-B](#) [DA10-050UK](#) [RLMDT701800](#) [WSU120-2000-R13](#) [WSU180-1330-13](#) [AC-DC ADAPTER 160W](#) [WSU120-2000-13](#) [WSU150-0800-13](#) [WSU075-3200-13](#) [WSU060-2000-R13](#) [WSU090-2500-13](#) [WSU050-2000-R13](#) [WSU240-1000-13](#) [WSU240-0500-R13](#) [WSU075-1500-13](#) [WSU050-3000-13](#) [WSU120-1500-13](#) [WSU120-1500-R13](#) [WSU045-1500-13](#) [WSU240-0750-13](#) [WSU090-2500-R13](#) [WSU240-1500-13](#) [WSU180-0660-13](#) [WSU075-1500-R13](#) [WSU090-1300-13](#) [WSU180-1330-R13](#) [BB-SMI1812VP230C1](#) [WSU050-1500-13](#) [WSU090-0800-13](#) [WSU120-0700-13](#) [WSU045-3000-13](#) [WSU180-0450-13](#) [WSU150-0560-R13](#) [WSU135-0880-13](#) [WSU120-3000-13](#) [WSU120-1000-R13](#) [WSU090-1300-R13](#) [WSU060-4000-13](#) [WSU060-1250-R13](#) [WSU060-1250-13](#) [WSU045-2000-R13](#)