



2.75W Compact Fixed Blade Charger (United Kingdom)



★★★★★
Standby Power



Features

- Fixed Blade
- CC & CV control
- Ecodesign ErP Directive 2009/125/EC level 2 annex 1b Compliant
- Low Cost
- 5 Star Standby power <0.03W
- No Y Cap
- Halogen Free

Applications

- MPEG Players
- PDA
- Personal Electronics
- Digital Camera

Safety Approvals

- CE
- CB
- IEEE1725 Approved

Mechanical Characteristics

- Length: 49mm (1.93in)
- Width: 43mm (1.65in)
- Height: 21.0mm (0.87in)

Output Specifications

Model	DC Output Voltage	Load		Ripple ⁽¹⁾ P-P (max)	Regulation		Case Color
		Min.	Max.		Line	Load	
PSM03K-050Q	5V	0A	0.55A	100mV	±5%		Black
PSM03K-050Q-3W	5V	0A	0.55A	100mV	±5%		White

Note: (1) Measured after 10 minutes with by-pass capacitors 0.1uf // 10uf at output connector terminal and oscilloscope set at 20MHz.

Phihong is not responsible for any error, and reserves the right to make changes without notice. Please visit our website at www.phihong.com for the most up-to-date specifications and contact information.

INPUT:**AC Input Voltage Rating**

100 to 240VAC

AC Input Voltage Range

90 to 264VAC

AC Input Current

0.1A(RMS) max.

Leakage Current

<20uA, 264VAC/63Hz

Input Power Saving

≤30mW @115VAC/230VAC

OUTPUT:**Power**

2.75W Maximum

Efficiency

Meets Level V Efficiency Requirements

63.7% minimum average efficiency

Over-voltage Protection

<8.5V

ENVIRONMENTAL:**Temperature**

Operation 0 to +40°C

Non-operation -40 to +85°C

Humidity 90%

Immunity

ESD: EN61000-4-2. Level 4

Surge: EN61000-4-5. Level 4

Harmonic: EN61000-3-2

Flicker: EN61000-3-3

Emissions

Complies with FCC Class B

Complies with EN55032 Class B

Dielectric Withstand (Hi-pot) Test

Primary to Secondary: 3000VAC

Insulation Resistance

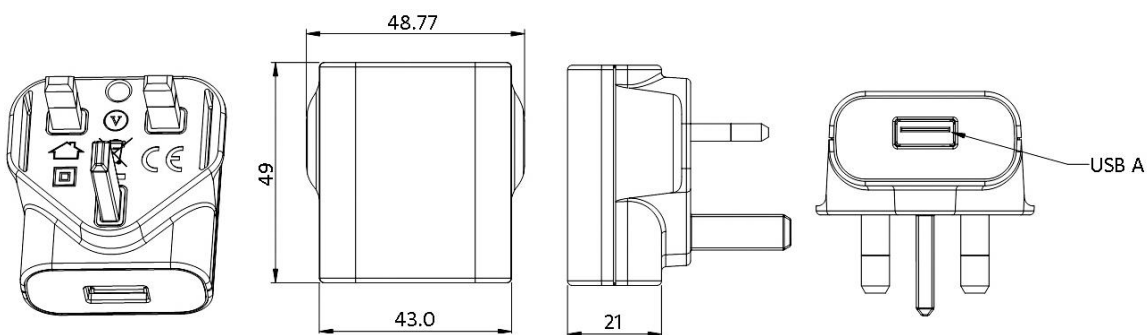
Primary to Secondary: 7M ohm 500VDC

DC Output Connector

USB A

D+ and D- pins shorted together inside the charger

Dimension Diagram Unit: mm



X-ON Electronics

Largest Supplier of Electrical and Electronic Components

Click to view similar products for [Wall Mount AC Adapters](#) category:

Click to view products by [Phihong](#) manufacturer:

Other Similar products are found below :

[ADP-163 E](#) [ADP-167 J](#) [ADP-168 K](#) [ADP-159 A](#) [ADP-165 G](#) [PSAC05A-050L6](#) [RLMDT361800](#) [P25A14E-R1C](#) [DA10-050CH](#) [DA5-050US-B](#) [DA10-050UK](#) [RLMDT701800](#) [WSU120-2000-R13](#) [WSU180-1330-13](#) [AC-DC ADAPTER 160W](#) [WSU120-2000-13](#) [WSU150-0800-13](#) [WSU075-3200-13](#) [WSU060-2000-R13](#) [WSU090-2500-13](#) [WSU050-2000-R13](#) [WSU240-1000-13](#) [WSU240-0500-R13](#) [WSU075-1500-13](#) [WSU050-3000-13](#) [WSU120-1500-13](#) [WSU120-1500-R13](#) [WSU045-1500-13](#) [WSU240-0750-13](#) [WSU090-2500-R13](#) [WSU240-1500-13](#) [WSU180-0660-13](#) [WSU075-1500-R13](#) [WSU090-1300-13](#) [WSU180-1330-R13](#) [BB-SMI1812VP230C1](#) [WSU050-1500-13](#) [WSU090-0800-13](#) [WSU120-0700-13](#) [WSU045-3000-13](#) [WSU180-0450-13](#) [WSU150-0560-R13](#) [WSU135-0880-13](#) [WSU120-3000-13](#) [WSU120-1000-R13](#) [WSU090-1300-R13](#) [WSU060-4000-13](#) [WSU060-1250-R13](#) [WSU060-1250-13](#) [WSU045-2000-R13](#)