



# 2.75W Compact Fixed Blade Charger – AUS/NZ



## Features

- Fixed Blade
- Low Cost
- CC & CV Control
- No Y Caps
- AS/NZS4665.1-2005+A1:2009; AS/NZS4665.2-2005+A1:2009 Compliance

## Applications

- MPEG Players
- Personal Electronics
- PDAs
- Digital Cameras



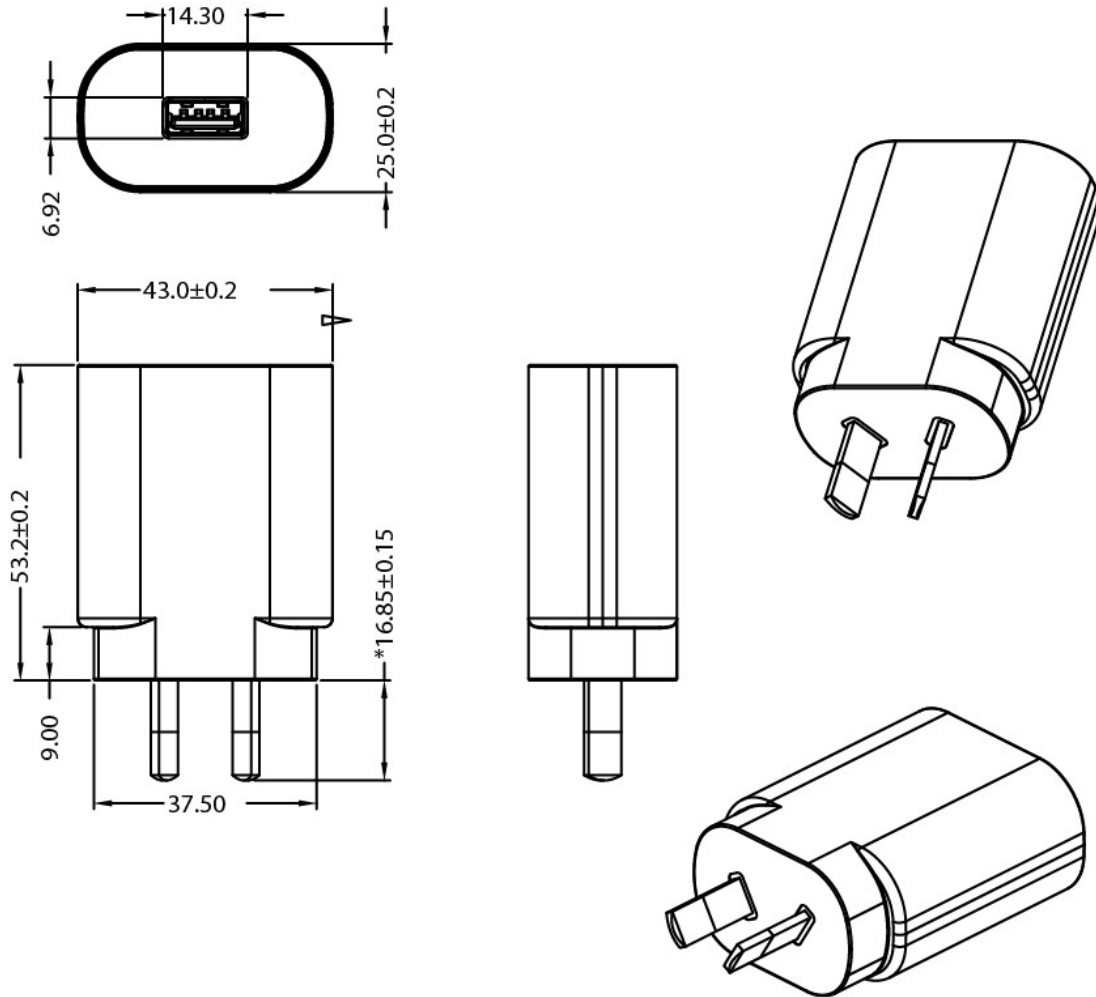


# PSM03S Series Specifications<sup>1</sup>

| Model                    |   | PSM03S-050Q-3-R <sup>2</sup>   | PSM03K-050Q-3W-R <sup>2</sup> |
|--------------------------|---|--|-------------------------------|
| Output                   | DC Output Voltage   | 5.0V   | 5.0V                          |
|                          | Max Current   | 0.55A  | 0.55A                         |
|                          | Output Power  | 2.75W  | 2.75W                         |
|                          | Regulation  | ± 5%   | ± 5%                          |
|                          | Ripple & Noise P-P(max) <sup>3</sup>  | 100mV  | 100mV                         |
| Input                    | AC Input Voltage Range  | 90 to 264VAC   |                               |
|                          | AC Input Frequency  | 47 to 63Hz   |                               |
|                          | Input Current   | 100mA (RMS) max  |                               |
|                          | No Load Power Consumption at 115VAC Input   | <0.3W  | <0.3W                         |
|                          | No Load Power Consumption at 230VAC Input   | <0.3W  | <0.3W                         |
|                          | 115VAC Average Efficiency <sup>4</sup>  | >63.7%   | >63.7%                        |
|                          | 230VAC Average Efficiency <sup>4</sup>  | >63.7%   | >63.7%                        |
| Protection               | Over-Voltage  | <8.5V  |                               |
|                          | Short Circuit   | Output can be shorted permanently without damage   |                               |
| Environmental            | Operating Temperature   | 0°C to +40°C   |                               |
|                          | Non-Operating Temperature   | -40° to +85°C  |                               |
|                          | Operating Humidity  | 90% Relative Humidity  |                               |
| Safety Approvals and EMC | Dielectric Withstand (HI-POT)   | Primary to Secondary: 3000VAC for 1min, 10mA   |                               |
|                          | Insulation Resistance   | Primary to Secondary: 7M ohm for 500VDC  |                               |
|                          | Standards   | AS/NZS 60950.1:2011+A1   |                               |
|                          | EMI Emissions   | EN 55032/CISPR 32 Class B Conducted and Radiated   |                               |
|                          | Harmonic Current Emissions  | IEC 61000-3-2  |                               |
|                          | Voltage Fluctuations & Flicker  | IEC 61000-3-3  |                               |
|                          | Immunity  | EN 55024/CISPR 24: IEC 61000-4-2 (+/- 8kV air, +/- 4kV contact), IEC 61000-4-3, IEC 61000-4-4, IEC 61000-4-5 (+/- 1kV), IEC 61000-4-6, IEC 61000-4-8, IEC 61000-4-11 |                               |
| Mechanical               | Dimensions (L x W x H)  | 70.1mm (2.76in) x 43.0mm (1.69in) x 25.0mm (0.98in)  |                               |
|                          | DC Output Connector   | USB-A  |                               |
|                          | DC Plug Pin Assignment  | D+ and D- pins shorted together inside of charger  |                               |
|                          | Case Color  | Black  | White                         |
| Notes                    | <ol style="list-style-type: none"> <li>The specifications defined are at ambient temperature of 25C, unless otherwise specified.</li> <li>Not recommended for new designs (NRND). Minimum order quantity applies.</li> <li>20MHz bandwidth frequency oscilloscope, add a 0.1µF multilayer Cap. and Low ESR Electrolytic Cap. (10µF) at output connector terminals (nominal line voltage, full load).</li> <li>Efficiency is measured after 30 minutes burn-in.</li> </ol> |  |                               |



# PSM03S Outline Drawing

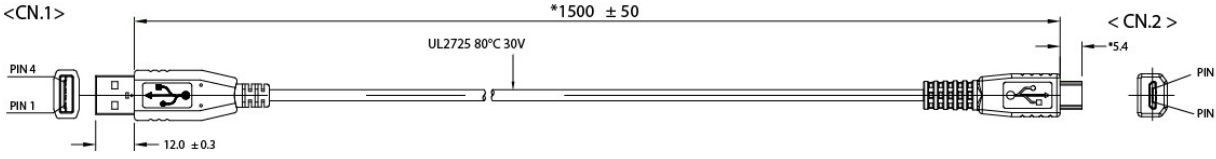
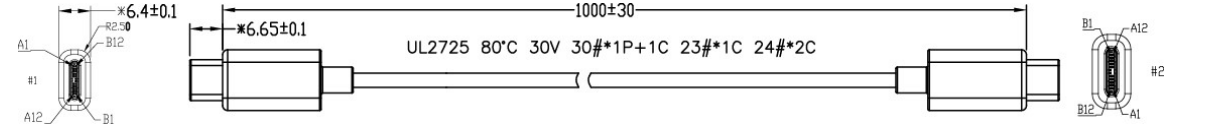
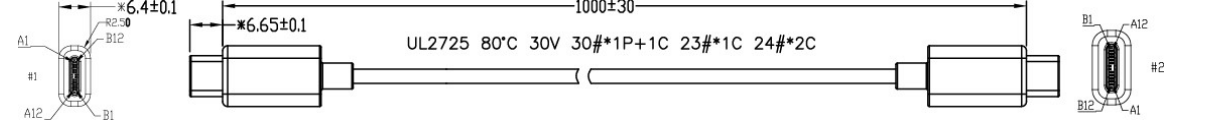




# USB Cables – Sold Separately

## Unit: mm

|                        |   |
|------------------------|---|
| Part no: IP-USB1(C10)S | Desc: USB-A to Micro-B – 1 Meter – Black                      |
|                        |   |
| Part no: IPUSB1CS      | Desc: USB to Mini-B – 1.5 Meter – Black                       |
|                        |   |
| Part no: IPUSB1MS      | Desc: USB-A to Micro-B – 1.5 Meter – Black                    |
|                        |   |
| Part no: IPUSB1M5LD    | Desc: USB-A to Micro-B – 24AWG – Low Drop – 1.5 Meter – Black |
|                        |   |
| Part no: IPUSB1P5      | Desc: USB-A to Micro-B – 1 Meter – 24AWG – Black              |
|                        |   |
| Part no: IPUSB1P5W     | Desc: USB-A to Micro-B – 1 Meter – 24AWG – White              |
|                        |   |

|  |  |
|--|--|
| Part no: IPUSB1MSW   | Desc: USB-A to Micro-B – 1.5 Meter – White   |
|  |  |
| Part no: UES-1001A160  | Desc: Low Drop Type-C USB Cable – 1 Meter – 23AWG on Power – 30AWG on Data - Black |
|  |  |
| Part no: UES-1003A160  | Desc: Low Drop Type-C USB Cable - 1 Meter – 23AWG on Power – 30AWG on Data - White |
|  |  |

## X-ON Electronics

Largest Supplier of Electrical and Electronic Components

*Click to view similar products for [Wall Mount AC Adapters](#) category:*

*Click to view products by [Phihong](#) manufacturer:*

Other Similar products are found below :

[ADP-163 E](#) [ADP-167 J](#) [ADP-168 K](#) [ADP-159 A](#) [ADP-165 G](#) [PSAC05A-050L6](#) [RLMDT361800](#) [P25A14E-R1C](#) [DA10-050CH](#) [DA5-050US-B](#) [DA10-050UK](#) [RLMDT701800](#) [WSU120-2000-R13](#) [WSU180-1330-13](#) [AC-DC ADAPTER 160W](#) [WSU120-2000-13](#) [WSU150-0800-13](#) [WSU075-3200-13](#) [WSU060-2000-R13](#) [WSU090-2500-13](#) [WSU050-2000-R13](#) [WSU240-1000-13](#) [WSU240-0500-R13](#) [WSU075-1500-13](#) [WSU050-3000-13](#) [WSU120-1500-13](#) [WSU120-1500-R13](#) [WSU045-1500-13](#) [WSU240-0750-13](#) [WSU090-2500-R13](#) [WSU240-1500-13](#) [WSU180-0660-13](#) [WSU075-1500-R13](#) [WSU090-1300-13](#) [WSU180-1330-R13](#) [BB-SMI1812VP230C1](#) [WSU050-1500-13](#) [WSU090-0800-13](#) [WSU120-0700-13](#) [WSU045-3000-13](#) [WSU180-0450-13](#) [WSU150-0560-R13](#) [WSU135-0880-13](#) [WSU120-3000-13](#) [WSU120-1000-R13](#) [WSU090-1300-R13](#) [WSU060-1250-R13](#) [WSU060-1250-13](#) [WSU045-2000-R13](#) [WSU045-1500-R13](#)