



**90W Open Frame LED Driver
PSM090-240P Constant Voltage LED Power Supply**



Features

- Low Profile Design
- OVP, OCP, OTP and Short-Circuit Protection
- Power Factor Correction
- UL 8750 Compliant
- Constant Voltage
- 100 to 277V Input Range
- High Efficiency
- 3 Years Warranty

Applications

- Indoor Lighting

Safety Approvals

- cUL/UL

Mechanical Characteristics

- Length: 169mm (6.65in)
- Width: 61mm (2.4in)
- Height: 31mm (1.22in)
- Weight: 368g (13oz)

Output Specifications

Model	DC Output Voltage Range		Typical Output Voltage	Output Current		Max Power
	Min.	Max.		Min.	Max.	
PSM090-240P	22.8V	25.2	24V	0.2A	3.75A	90W

Phihong is not responsible for any error, and reserves the right to make changes without notice. Please visit our website at www.phihong.com for the most up-to-date specifications and contact information.

INPUT:**AC Input Voltage Range**

90 to 304VAC

AC Input Voltage Rating

100 to 277VAC

Leakage Current

<1mA at 277VAC and maximum load

AC Input Frequency

47-63Hz

AC Inrush Current

40A at 115VAC and maximum load

80A at 277VAC and maximum load

OUTPUT:**Total Output Power**

90W

Efficiency

>85% at 115/277VAC and maximum load

Power Factor

>0.95 at 115VAC and maximum load

>0.90 at 230VAC and maximum load

Ripple

<240mVp-p at maximum load

Setup Time

4 seconds minimum at 100/277VAC and max load

Hold Up Time

8mS max. at 100/277VAC, 15mS max at 277VAC

ENVIRONMENTAL:

Operating Temperature -10 to 40°C

Storage Temperature -20 to 85°C

Operating Humidity 20 to 90%

Storage Humidity 10 to 95%

Warranty

5 Years

EMC

EN55015

Immunity

EN61000-4-2

EN61000-4-3

EN61000-4-4

EN61000-4-5

EN61000-4-6

EN61000-4-8

EN61000-4-11

EN61000-3-2

Isolation Test (HI-POT)

Primary to Secondary: 3000VAC, <10mA

Insulation Resistance

Primary to Secondary: 500VDC, >10 M ohm

FEATURES:**Input Current Protection**

The input power line will be fused with a 3A/350VAC fuse

Overload Protection

Auto-recover, Hiccup mode

Overvoltage Protection

Output should not exceed 35V, auto shut down

Over Temperature Protection

Automatic shut-down and latch off

MTBF

30K Hours minimum at max load and ambient 25°C

AC Input Connector (CN 1)

DINKLE: EK500V-03P

Mating: Solid or Stranded wire 18~24 AWG

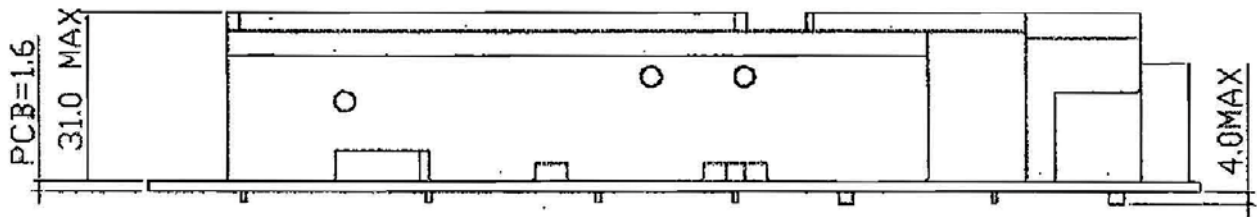
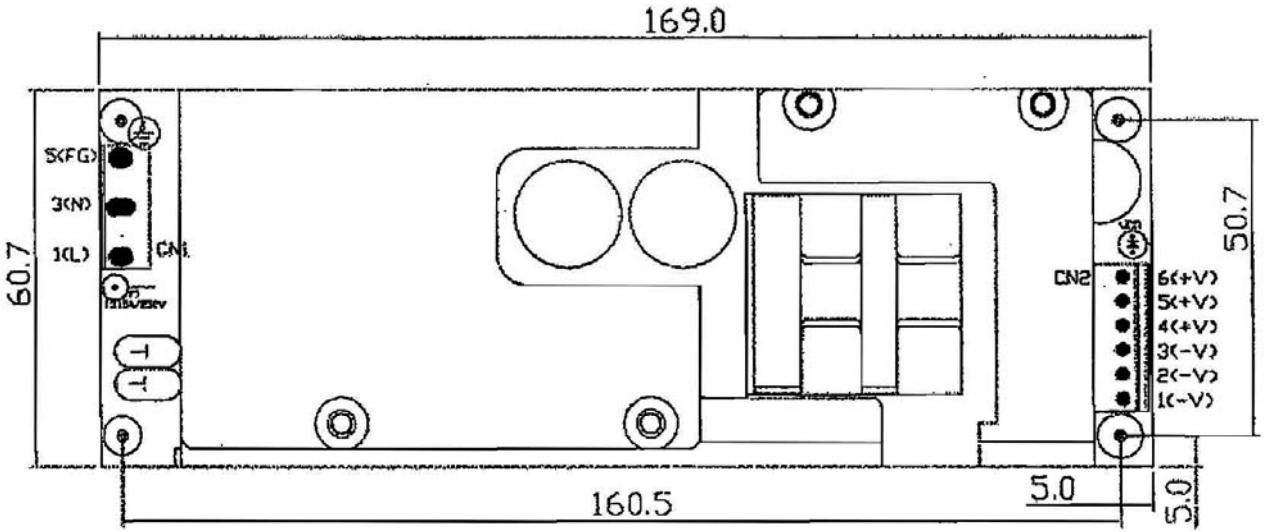
DC Output Connector (CN2)

JST B6P – VH or equivalent

Pin # Assignment

1,2,3 -V

4,5,6 +V



X-ON Electronics

Largest Supplier of Electrical and Electronic Components

Click to view similar products for [LED Power Supplies](#) category:

Click to view products by [Phihong](#) manufacturer:

Other Similar products are found below :

[ESS015W-1000-12](#) [PDA-WIFI](#) [PIFC-K250F](#) [PITB-K222A](#) [ALD-514012PJ134](#) [LB240S24KH](#) [LMH020-SPLC-0000-0000001](#) [LMD600-0100-C1A7-7030000](#) [79534](#) [79535](#) [EUG-200S210DT](#) [ESS030W-1050-21](#) [ESS030W-0900-32](#) [BPOXL 4-12-035](#) [ESS010W-0350-24](#) [ESM060W-1400-42](#) [PDA080B-1A0G](#) [PDA150B-S1A5G](#) [ZPS-20](#) [SLM140W-1.05-130-ZA](#) [ESS015W-0700-18](#) [EUD-150S350DVA](#) [LWA320-C420-ARK-B](#) [HVG-240-48AB](#) [HVG-320-36AB](#) [HVG-320-54AB](#) [ELG-240-C1400AB](#) [EUK-150S105DV](#) [BXCS-12Z-N2P-B1-A](#) [BXPR-WN-01-A](#) [LN1224CV](#) [BXCS-12W-N2P-01-A](#) [HBG-160-24AB](#) [980100001200394](#) [980060001200376](#) [LC 14W 250-350MA FLEXC R ADV2](#) [LC 24W 500-600MA FLEXC R ADV2](#) [LC 36W 850-900MA FLEXC R ADV2](#) [LC 18W 24V ONE4ALL SC PRE](#) [LC 50W 200-350ML 170V FLEXC LP SNC4](#) [LC 25W 200-350ML 70V FLEXC LP SNC4](#) [LCBI 10W 350MA PHASE-CUT/1-10V LP](#) [LC 13W 300MA FIXC C SNC](#) [LC 10W 250MA FIXC SC SNC2](#) [LC 35W 800MA FIXC SR ADV2](#) [LC 38W 900MA FIXC SR ADV2](#) [LC 34W 800MA FIXC SC ADV2](#) [LC 44W 1050MA FIXC SC ADV2](#) [LC 38W 900MA 42V FIXC SRL ADV2](#) [PWM-40-36](#)