



36 Watt Universal 2-Wire Input Adapter PSM36W Adapter Series Meets CEC and EISA Requirements



Features

- Low Cost
- EISA Energy Efficiency Compliance
- Ecodesign ErP Directive 2009/125/EC level 2 annex 1b Compliant
- Non-Vented/Spill-proof Case
- Low Profile Design
- Class B EMI
- Level V Efficiency Compliant

Applications

- Portable Equipment
- Peripherals
- Networking
- Gaming Machines

Safety Approvals

- CE
- cUL/UL

Mechanical Characteristics

- Length: 120mm (4.72in)
- Width: 50mm (1.98in)
- Height: 31.5mm (1.27in)
- Weight: 250g (8.82oz)

Output Specifications

Model	DC Output Voltage	Load		Ripple P-P (max.)	Efficiency Level
		Min.	Max.		
PSM36W-120TW2-R	12V	0A	3A	140mV	V

Phihong is not responsible for any error, and reserves the right to make changes without notice. Please visit our website at www.phihong.com for the most up-to-date specifications and contact information.

Input:

AC Input Voltage Rating

120-240V AC

AC Input Voltage Range

89-270V AC

AC Input Frequency

47-63Hz

Input Current

0.8A (RMS) Maximum at 120V AC

Leakage Current

250uA maximum

Inrush Current

60A max. at 120V AC and max load
(Ambient 25°C cold start)

Input Power Saving

0.3W maximum at 230V AC and no load

Output:

Efficiency

Meets Level V Efficiency Requirements
85% minimum

Environmental:

Temperature

Operation	0 to 45°C
Non-operation	-40 to 80°C
Operating Humidity	15 to 90%

EMC

FCC Class B
EN55022 Class B

Immunity

IEC61000-4-2
IEC61000-4-3
IEC61000-4-4
IEC61000-4-5
IEC61000-4-6
IEC61000-4-8
IEC61000-4-11
EN61000-3-2

Over-Voltage Protection

Auto-restart

Short-Circuit Protection

Protected against short circuit – Output can be shorted permanently without damage

Dielectric Withstand (Hi-pot) Test

Primary to Secondary: 2000V AC, 10mA for 1 minute

Insulation Resistance

Primary to secondary: >7M ohm 500V DC

MTBF

100,000 Hours Minimum at 25°C

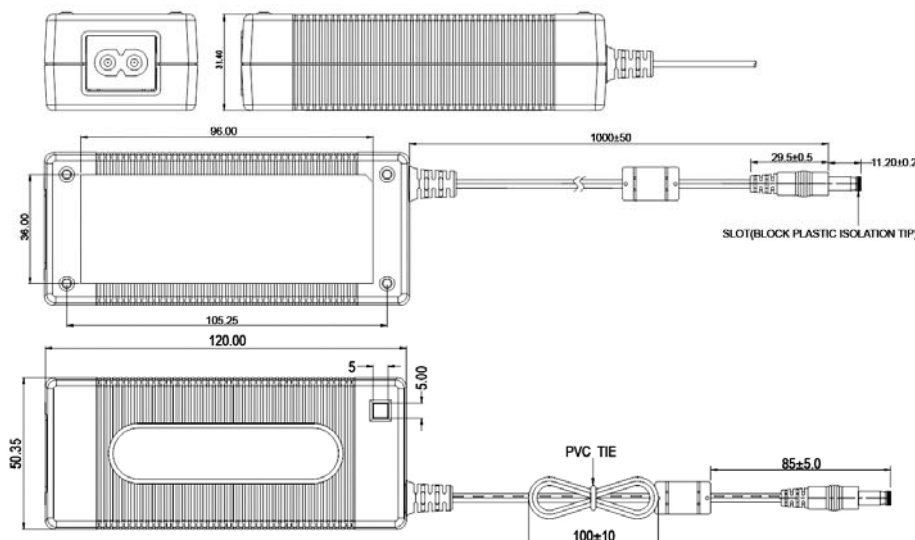
DC Output Connector

Center Positive Barrel (11.2mm x 5.5mm x 2.1mm)

DC Cord

1000mm ± 50

Dimension Diagram Unit: mm (inch)



X-ON Electronics

Largest Supplier of Electrical and Electronic Components

Click to view similar products for [Desktop AC Adapters](#) category:

Click to view products by [Phihong](#) manufacturer:

Other Similar products are found below :

[YS50-1903150](#) [DTA27-3X-W-5](#) [212A2136](#) [ADP485-01](#) [SWA-1202](#) [SWA-1501](#) [212A2220](#) [432703037451](#) [TRH100A280-01E13-Level-VI](#)
[TRH100A280-11E13-Level-VI](#) [TRH50A120-12E01-Level-VI](#) [TRH50A120-40E01-Level-VI](#) [TRH50A150-12E12-Level-VI](#) [TRH50A180-11E03-Level-VI](#) [TRH70A120-11E01-Level-VI](#) [TRH70A150-02E02-Level-VI](#) [TRH70A190-11E03-Level-VI](#) [TRH70A240-11E03-Level-VI](#)
[TRH70A480-11E03-Level-VI](#) [DA10-050US](#) [DTA27-0512FWX-W3](#) [TRH100A120-02E12-Level-VI](#) [TRH100A150-11E12-Level-VI](#)
[TRH100A240-36E13-Level-VI](#) [TRH100A280-12E13-Level-VI](#) [TRH50A120-11E01-Level-VI](#) [TRH50A120-49E01-Level-VI](#) [TRH50A150-12E02-Level-VI](#) [TRH70A120-01E01-Level-VI](#) [KR8-PS01](#) [1894875](#) [FWE030012A-10A](#) [FWE050024B-10A](#) [820A4080G](#) [825A0057-03](#)
[SWA-1704W](#) [AD5012N2LM-\(401\)](#) [DA10-050CH](#) [SDI65-24-UDC-P5R](#) [DA10-050UK](#) [TRH70A180-11E03-Level-VI](#) [TRH21A120-49E03-Level-VI](#) [TRH100A240-12E13-Level-VI](#) [TRH70A150-11E02-Level-VI](#) [TRH70A120-23E11-Level-VI](#) [TRH70A240-02E03-Level-VI](#)
[TRH70A190-12E03-Level-VI](#) [FWE050012B-10A](#) [AC-DC ADAPTER 90W w/ Cable](#) [PWR-247-CE](#)