

## Panel feed-through terminal block - DFK/FA-2,8 - 0707015

Please be informed that the data shown in this PDF Document is generated from our Online Catalog. Please find the complete data in the user's documentation. Our General Terms of Use for Downloads are valid (<http://phoenixcontact.com/download>)



Panel feed-through terminal block, connection method: Screw connection with tension sleeve, Solder/Slip-on connection, number of positions: 1, load current: 18 A, cross section: 0.2 mm<sup>2</sup> - 4 mm<sup>2</sup>, connection direction of the conductor to plug-in direction: 90 °, width: 6.1 mm, color: gray


### Your advantages

- ✓ Well-known connection principle allows worldwide use
- ✓ Low temperature rise, thanks to maximum contact force
- ✓ Allows connection of two conductors
- ✓ Tool-free snap-in principle enables easy mounting on the device panel

RoHS



### Key Commercial Data

|                        |   |
|------------------------|---|
| Packing unit           | 50 pc   |
| Minimum order quantity | 50 pc   |
| GTIN                   | <br>4 017918 003814 |
| GTIN                   | 4017918003814   |

### Technical data

#### Item properties

|                           |                                      |
|---------------------------|--------------------------------------|
| Brief article description | Panel feed-through terminal block    |
| Range of articles         | DFK-2,8                              |
| Pitch                     | 6 mm                                 |
| Number of positions       | 1                                    |
| Connection method         | Screw connection with tension sleeve |
| Number of connections     | 2                                    |
| Number of potentials      | 1                                    |

#### Electrical parameters

|                 |        |
|-----------------|--------|
| Nominal current | 17.5 A |
| Nom. voltage    | 400 V  |
| Rated voltage   | 400 V  |

# Panel feed-through terminal block - DFK/FA-2,8 - 0707015

## Technical data

### Electrical parameters

|                             |      |
|-----------------------------|------|
| Rated surge voltage (III/3) | 4 kV |
|-----------------------------|------|

### Connection capacity, external

|   |  |
|---|--|
| Connection method   | Screw connection with tension sleeve         |
| Connection direction of the conductor to plug-in direction                                | 90 °   |
| Conductor cross section solid   | 0.2 mm <sup>2</sup> ... 4 mm <sup>2</sup>    |
| Conductor cross section flexible  | 0.2 mm <sup>2</sup> ... 4 mm <sup>2</sup>    |
| Conductor cross section flexible, with ferrule without plastic sleeve                     | 0.25 mm <sup>2</sup> ... 4 mm <sup>2</sup>   |
| Conductor cross section, flexible, with ferrule, with plastic sleeve                      | 0.25 mm <sup>2</sup> ... 2.5 mm <sup>2</sup> |
| 2 conductors with same cross section, solid   | 0.2 mm <sup>2</sup> ... 1 mm <sup>2</sup>    |
| 2 conductors with same cross section, flexible  | 0.2 mm <sup>2</sup> ... 1.5 mm <sup>2</sup>  |
| 2 conductors with same cross section, flexible, with ferrule without plastic sleeve       | 0.25 mm <sup>2</sup> ... 1 mm <sup>2</sup>   |
| 2 conductors with the same cross section, flexible, with TWIN ferrule with plastic sleeve | 0.5 mm <sup>2</sup> ... 2.5 mm <sup>2</sup>  |
| Internal cylindrical gage   | A3   |
| Stripping length  | 9 mm   |
| Torque  | 0.6 Nm ... 0.8 Nm                            |

### Connection capacity, internal

|  |   |
|--|---|
| Connection method  | Solder/Slip-on connection                   |
| Connection direction of the conductor to plug-in direction | 0 °   |
| Conductor cross section solid                              | 0.2 mm <sup>2</sup> ... 1.5 mm <sup>2</sup> |
| Conductor cross section flexible                           | 0.2 mm <sup>2</sup> ... 1.5 mm <sup>2</sup> |
| Internal cylindrical gage                                  | A3  |
| Dimensions of slip-on connection                           | 2.8 x 0.8 mm                                |

### Material data - contact

|                         |   |
|-------------------------|---|
| Note                    | WEEE/RoHS-compliant, free of whiskers according to IEC 60068-2-82/ JEDEC JESD 201 |
| Contact material        | Cu alloy  |
| Surface characteristics | tin-plated  |

### Material data - housing

|  |             |
|--|-------------|
| Housing color                          | gray (7042) |
| Insulating material                    | PA          |
| Insulating material group              | I           |
| CTI according to IEC 60112             | 600         |
| Flammability rating according to UL 94 | V2          |

### Dimensions for the product

|             |        |
|-------------|--------|
| Width [ w ] | 6.1 mm |
| Pitch       | 6 mm   |

### Packaging information

## Panel feed-through terminal block - DFK/FA-2,8 - 0707015

### Technical data

#### Packaging information

|                            |      |
|----------------------------|------|
| Pieces per package         | 50   |
| Denomination packing units | Pcs. |

#### Electrical tests

|                         |                   |
|-------------------------|-------------------|
| Rated current           | 17.5 A            |
| Conductor cross section | 4 mm <sup>2</sup> |

#### Standards and Regulations

|  |  |
|--|--|
| Connection in acc. with standard       | IEC / EN   |
|  | IEC / EN   |
| Flammability rating according to UL 94 | V2   |
| Safety note                            | <ul style="list-style-type: none"> <li>• WARNING: Only electrically qualified personnel may install and operate the product. They must observe the following safety notes. The qualified personnel must be familiar with the basics of electrical engineering. They must be able to recognize and prevent danger. The relevant symbol on the packaging indicates that only personnel familiar with electrical engineering are allowed to install and operate the product.</li> </ul> |
|  | <ul style="list-style-type: none"> <li>• The installation notes/Design In documents online on the download page at phoenixcontact.com/products must be observed for this product.</li> </ul>   |
|  | <ul style="list-style-type: none"> <li>• The cable entry funnel is not safe to touch. Never connect or disconnect the terminal when it is energized. Take appropriate steps to ensure touch protection.</li> </ul>   |

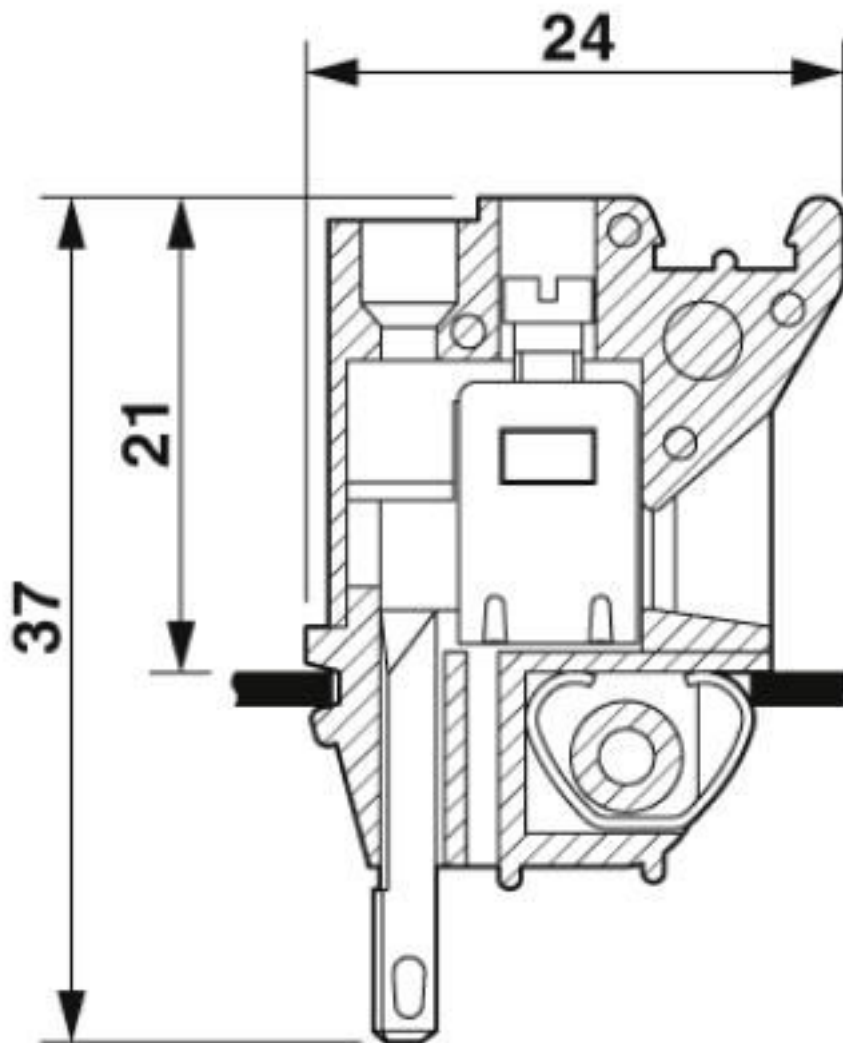
#### Environmental Product Compliance

|            |   |
|------------|---|
| China RoHS | Environmentally friendly use period: unlimited = EFUP-e |
|            | No hazardous substances above threshold values          |

### Drawings

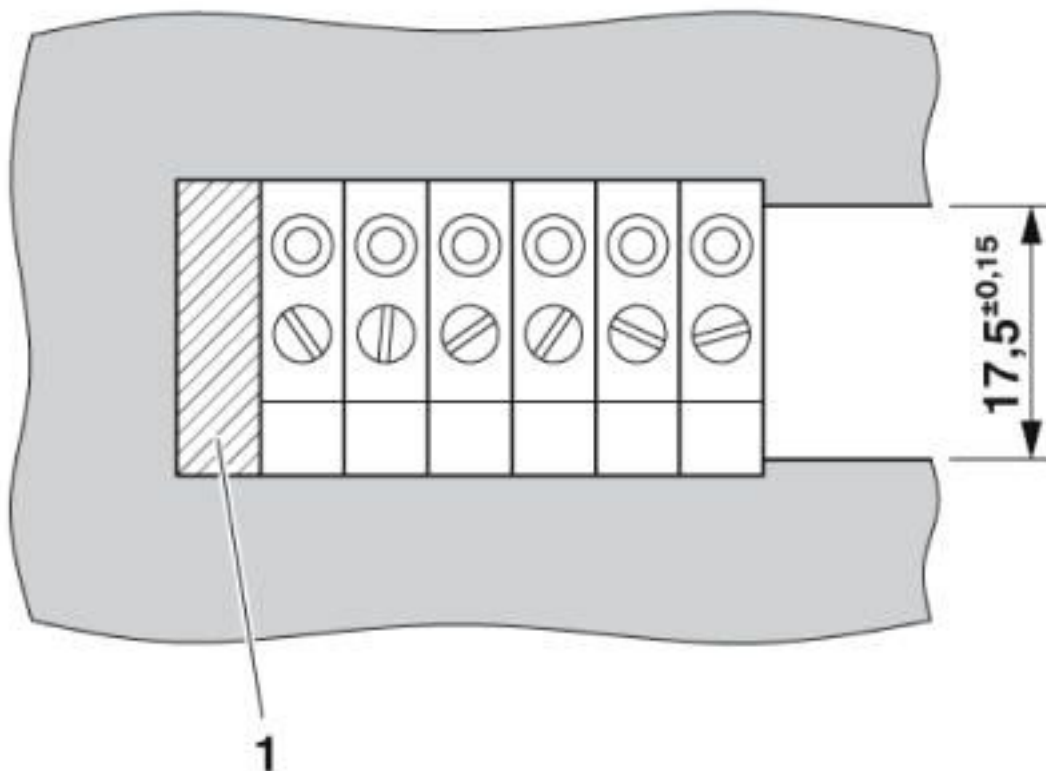
# Panel feed-through terminal block - DFK/FA-2,8 - 0707015

Dimensional drawing



# Panel feed-through terminal block - DFK/FA-2,8 - 0707015

Dimensional drawing



1 = blind cover

## Classifications

eCl@ss

|               |          |
|---------------|----------|
| eCl@ss 10.0.1 | 27141134 |
| eCl@ss 4.0    | 27141100 |
| eCl@ss 4.1    | 27141100 |
| eCl@ss 5.0    | 27141100 |
| eCl@ss 5.1    | 27141100 |
| eCl@ss 6.0    | 27141100 |
| eCl@ss 7.0    | 27141134 |
| eCl@ss 8.0    | 27141134 |
| eCl@ss 9.0    | 27141134 |

ETIM

|          |          |
|----------|----------|
| ETIM 2.0 | EC001283 |
| ETIM 3.0 | EC001283 |
| ETIM 4.0 | EC001283 |
| ETIM 5.0 | EC001283 |
| ETIM 6.0 | EC001283 |

# Panel feed-through terminal block - DFK/FA-2,8 - 0707015

## Classifications

### ETIM

|          |          |
|----------|----------|
| ETIM 7.0 | EC001283 |
|----------|----------|

### UNSPSC

|               |          |
|---------------|----------|
| UNSPSC 6.01   | 30211811 |
| UNSPSC 7.0901 | 39121410 |
| UNSPSC 11     | 39121410 |
| UNSPSC 12.01  | 39121410 |
| UNSPSC 13.2   | 39121410 |
| UNSPSC 18.0   | 39121410 |
| UNSPSC 19.0   | 39121410 |
| UNSPSC 20.0   | 39121410 |
| UNSPSC 21.0   | 39121410 |

## Approvals

### Approvals

---

Approvals

EAC

---

Ex Approvals

---

### Approval details

|     |  |         |
|-----|--|---------|
| EAC |  | B.01687 |
|-----|--|---------|

## Accessories

### Accessories

#### Insertion bridge

Insertion bridge - EB 2- 6 - 0201155



Insertion bridge, pitch: 6.2 mm, number of positions: 2, color: gray

## Panel feed-through terminal block - DFK/FA-2,8 - 0707015

### Accessories

Insertion bridge - EB 3- 6 - 0201142



Insertion bridge, pitch: 6.2 mm, number of positions: 3, color: gray

---

Insertion bridge - EB 10- 6 - 0201139



Insertion bridge, pitch: 6.2 mm, number of positions: 10, color: gray

---

### Terminal marking

Marker card - SBS 6:UNBEDRUCKT - 1007222



Marker card, Card, white, unlabeled, can be labeled with: Marker pen, mounting type: snap into tall marker groove, snap into flat marker groove, for terminal block width: 6 mm, lettering field size: 6 x 6.1 mm, Number of individual labels: 250

---

Phoenix Contact 2020 © - all rights reserved  
<http://www.phoenixcontact.com>

PHOENIX CONTACT GmbH & Co. KG  
Flachsmarktstr. 8  
32825 Blomberg  
Germany  
Tel. +49 5235 300  
Fax +49 5235 3 41200  
<http://www.phoenixcontact.com>

## X-ON Electronics

Largest Supplier of Electrical and Electronic Components

*Click to view similar products for [Fixed Terminal Blocks](#) category:*

*Click to view products by [Phoenix Contact](#) manufacturer:*

Other Similar products are found below :

[MBE-1512](#) [MBE-154](#) [MBE-156](#) [MBES-153](#) [MBES-156](#) [MH-2512](#) [MHE-132](#) [MHE-163](#) [MI-254 \(35\)](#) [MI-272](#) [880507](#) [MPT-275](#)  
[15602-04-08-21](#) [BA311TU](#) [BA411SU](#) [MV-152](#) [MV-252-D](#) [MV-253/NCNOC](#) [MV-254-D](#) [MV-255](#) [MV-462](#) [MV-493](#) [MVE-252](#) [MVE-253](#)  
[MVE-273](#) [MVEB-153](#) [1700096](#) [1705142](#) [1712417](#) [1713020](#) [1713088](#) [1745195](#) [1760594](#) [1776118-2](#) [1790852](#) [1-796689-8](#) [1-796692-6](#)  
[1800001](#) [1800114](#) [1995279](#) [20020314-C121B01LF](#) [CB2-12](#) [KP03215000J0G](#) [KP04215000J0G](#) [S451](#) [282802-2](#) [29.007](#) [29.116](#) [30.103](#)  
[30.106](#)