

## Panel feed-through terminal block - HDFK 25-VP - 0709136

Please be informed that the data shown in this PDF Document is generated from our Online Catalog. Please find the complete data in the user's documentation. Our General Terms of Use for Downloads are valid (<http://phoenixcontact.com/download>)



The figure shows a 7-position version

Panel feed-through terminal block, connection method: Screw connection with tension sleeve, Cable lug connection, number of positions: 1, load current: 101 A, cross section: 6 mm<sup>2</sup> - 35 mm<sup>2</sup>, connection direction of the conductor to plug-in direction: 0 °, width: 15.1 mm, color: gray

### Your advantages

- ✓ Well-known connection principle allows worldwide use
- ✓ Low temperature rise, thanks to maximum contact force
- ✓ Tool-free snap-in principle enables easy mounting on the device panel
- ✓ Automatic panel thickness compensation enables universal use
- ✓ Reliable seal even with low-viscosity molding compounds



### Key Commercial Data

|                        |               |
|------------------------|---------------|
| Packing unit           | 50 pc         |
| Minimum order quantity | 50 pc         |
| GTIN                   |               |
| GTIN                   | 4017918117009 |

### Technical data

#### Item properties

|                           |                                      |
|---------------------------|--------------------------------------|
| Brief article description | Panel feed-through terminal block    |
| Range of articles         | HDFK 25-VP                           |
| Pitch                     | 15.1 mm                              |
| Number of positions       | 1                                    |
| Connection method         | Screw connection with tension sleeve |
| Number of connections     | 2                                    |
| Number of potentials      | 1                                    |

#### Electrical parameters

|                 |       |
|-----------------|-------|
| Nominal current | 101 A |
|-----------------|-------|

# Panel feed-through terminal block - HDFK 25-VP - 0709136

## Technical data

### Electrical parameters

|                             |       |
|-----------------------------|-------|
| Nom. voltage                | 500 V |
| Rated voltage               | 500 V |
| Rated surge voltage (III/3) | 6 kV  |

### Connection capacity, external

|   |  |
|---|--|
| Connection method   | Screw connection with tension sleeve       |
| Connection direction of the conductor to plug-in direction                                | 0 °  |
| Conductor cross section solid   | 6 mm <sup>2</sup> ... 35 mm <sup>2</sup>   |
| Conductor cross section flexible  | 10 mm <sup>2</sup> ... 25 mm <sup>2</sup>  |
| Conductor cross section flexible, with ferrule without plastic sleeve                     | 4 mm <sup>2</sup> ... 25 mm <sup>2</sup>   |
| Conductor cross section, flexible, with ferrule, with plastic sleeve                      | 4 mm <sup>2</sup> ... 25 mm <sup>2</sup>   |
| 2 conductors with same cross section, solid   | 2.5 mm <sup>2</sup> ... 10 mm <sup>2</sup> |
| 2 conductors with same cross section, flexible  | 4 mm <sup>2</sup> ... 10 mm <sup>2</sup>   |
| 2 conductors with same cross section, flexible, with ferrule without plastic sleeve       | 2.5 mm <sup>2</sup> ... 10 mm <sup>2</sup> |
| 2 conductors with the same cross section, flexible, with TWIN ferrule with plastic sleeve | 2.5 mm <sup>2</sup> ... 10 mm <sup>2</sup> |
| Internal cylindrical gage   | B8   |
| Stripping length  | 19 mm                                      |
| Torque  | 4 Nm ... 4.5 Nm                            |

### Connection capacity, internal

|  |                      |
|--|----------------------|
| Connection method  | Cable lug connection |
| Connection direction of the conductor to plug-in direction | 0 °                  |
| Cable lug connection according to standard                 | M6 6 Nm 8 Nm         |

### Material data - contact

|                         |   |
|-------------------------|---|
| Note                    | WEEE/RoHS-compliant, free of whiskers according to IEC 60068-2-82/ JEDEC JESD 201 |
| Contact material        | Cu alloy  |
| Surface characteristics | tin-plated  |

### Material data - housing

|   |             |
|---|-------------|
| Housing color   | gray (7042) |
| Insulating material   | PA          |
| Insulating material group   | I           |
| CTI according to IEC 60112  | 600         |
| Flammability rating according to UL 94                            | V0          |
| Glow wire flammability index GWFI according to EN 60695-2-12      | 850         |
| Glow wire ignition temperature GWIT according to EN 60695-2-13    | 775         |
| Temperature for the ball pressure test according to EN 60695-10-2 | 125 °C      |

### Dimensions for the product

|              |         |
|--------------|---------|
| Length [ l ] | 68.6 mm |
|--------------|---------|

# Panel feed-through terminal block - HDFK 25-VP - 0709136

## Technical data

### Dimensions for the product

|              |         |
|--------------|---------|
| Width [ w ]  | 15.1 mm |
| Height [ h ] | 48.5 mm |
| Pitch        | 15.1 mm |

### Packaging information

|                            |      |
|----------------------------|------|
| Pieces per package         | 50   |
| Denomination packing units | Pcs. |

### General product information

|              |   |
|--------------|---|
| Type of note | Notes on safety   |
|              | Note on application   |
| Note         | The cable entry funnel is not touch-proof. Never connect or disconnect the terminal when it is energized. Take appropriate steps to ensure touch proofness. |
|              | To maintain the nominal voltage, align the cable lugs straight and centered, and cast the terminals on the inside.  |

### Electrical tests

|                         |                    |
|-------------------------|--------------------|
| Rated current           | 101 A              |
| Conductor cross section | 25 mm <sup>2</sup> |

### Air clearances and creepage distances

|   |        |
|---|--------|
| Minimum clearance - inhomogeneous field (III/3) | 5.5 mm |
| Minimum creepage distance value (III/3)         | 6.3 mm |

### Standards and Regulations

|  |  |
|--|--|
| Connection in acc. with standard       | CSA  |
|  | IEC 60947-7-1  |
| Flammability rating according to UL 94 | V0   |
| Safety note                            | <ul style="list-style-type: none"> <li>• WARNING: Only electrically qualified personnel may install and operate the product. They must observe the following safety notes. The qualified personnel must be familiar with the basics of electrical engineering. They must be able to recognize and prevent danger. The relevant symbol on the packaging indicates that only personnel familiar with electrical engineering are allowed to install and operate the product.</li> <li>• The installation notes/Design In documents online on the download page at phoenixcontact.com/products must be observed for this product.</li> <li>• The cable entry funnel is not safe to touch. Never connect or disconnect the terminal when it is energized. Take appropriate steps to ensure touch protection.</li> <li>• To maintain the nominal voltage, align the cable lugs straight and centered, and cast the terminals on the inside.</li> </ul> |
|  | # There is no electrical contact to the housing. Ensure protective grounding is established for green-yellow color versions.   |

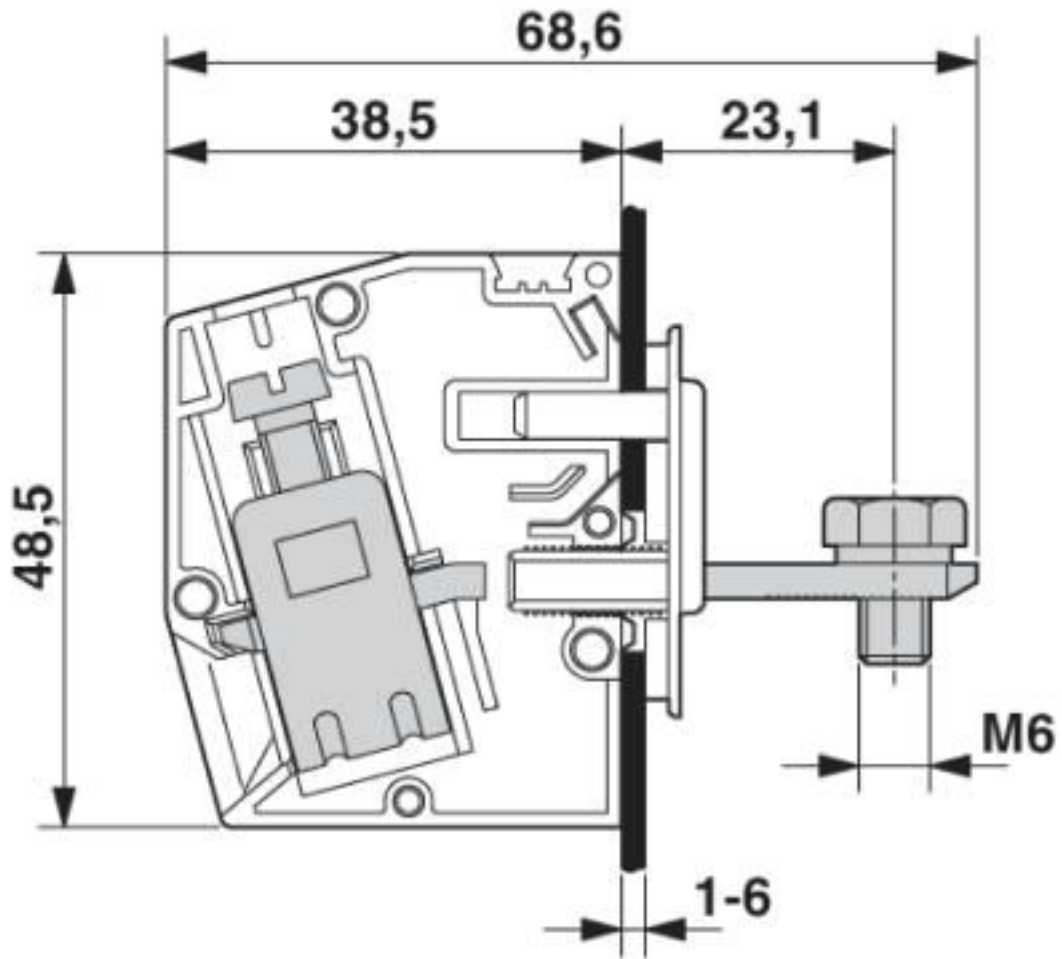
### Environmental Product Compliance

|            |   |
|------------|---|
| China RoHS | Environmentally friendly use period: unlimited = EFUP-e |
|            | No hazardous substances above threshold values          |

# Panel feed-through terminal block - HDFK 25-VP - 0709136

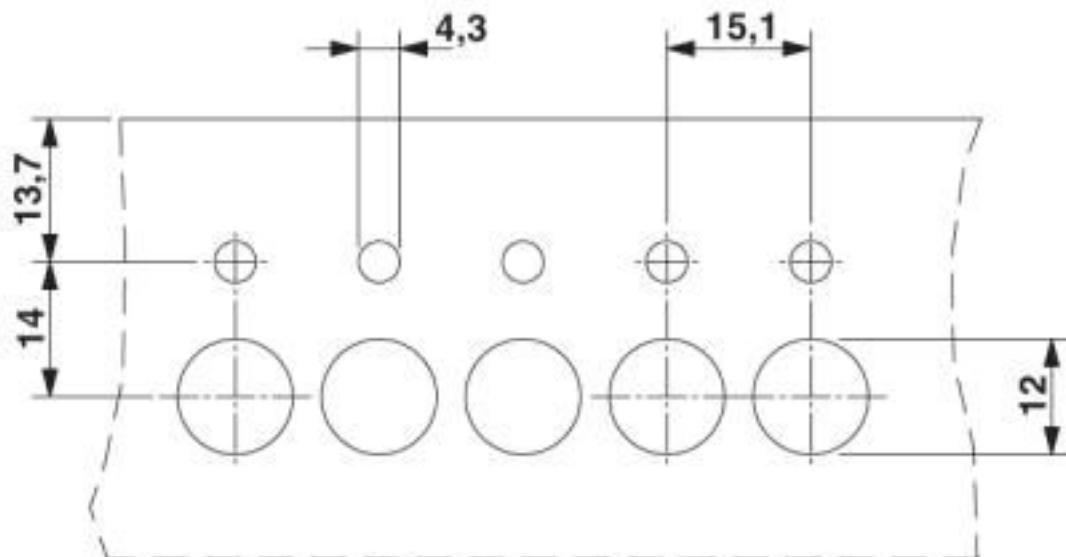
## Drawings

Dimensional drawing



# Panel feed-through terminal block - HDFK 25-VP - 0709136

Dimensional drawing



## Classifications

eCl@ss

|               |          |
|---------------|----------|
| eCl@ss 10.0.1 | 27141134 |
| eCl@ss 4.0    | 27141100 |
| eCl@ss 4.1    | 27141100 |
| eCl@ss 5.0    | 27141100 |
| eCl@ss 5.1    | 27141100 |
| eCl@ss 6.0    | 27141100 |
| eCl@ss 7.0    | 27141134 |
| eCl@ss 8.0    | 27141134 |
| eCl@ss 9.0    | 27141134 |

ETIM

|          |          |
|----------|----------|
| ETIM 2.0 | EC001283 |
| ETIM 3.0 | EC001283 |
| ETIM 4.0 | EC001283 |
| ETIM 5.0 | EC001283 |
| ETIM 6.0 | EC001283 |
| ETIM 7.0 | EC001283 |

UNSPSC

|               |          |
|---------------|----------|
| UNSPSC 6.01   | 30211811 |
| UNSPSC 7.0901 | 39121410 |
| UNSPSC 11     | 39121410 |
| UNSPSC 12.01  | 39121410 |
| UNSPSC 13.2   | 39121410 |

# Panel feed-through terminal block - HDFK 25-VP - 0709136

## Classifications

### UNSPSC

|             |          |
|-------------|----------|
| UNSPSC 18.0 | 39121410 |
| UNSPSC 19.0 | 39121410 |
| UNSPSC 20.0 | 39121410 |
| UNSPSC 21.0 | 39121410 |

## Approvals

### Approvals

#### Approvals

CSA / UL Recognized / KEMA-KEUR / IECEE CB Scheme / EAC

#### Ex Approvals

### Approval details

|                            |  |   |       |
|----------------------------|--|---|-------|
| CSA                        |  | <a href="http://www.csagroup.org/services-industries/product-listing/">http://www.csagroup.org/services-industries/product-listing/</a> | 13631 |
|                            |  | B   | C     |
| Nominal voltage UN         |  | 600 V   | 600 V |
| Nominal current IN         |  | 100 A   | 100 A |
| mm <sup>2</sup> /AWG/kcmil |  | 8-2   | 8-2   |

|                            |  |   |                 |
|----------------------------|--|---|-----------------|
| UL Recognized              |  | <a href="http://database.ul.com/cgi-bin/XYV/template/LISEXT/1FRAME/index.htm">http://database.ul.com/cgi-bin/XYV/template/LISEXT/1FRAME/index.htm</a> | E60425-19890329 |
|                            |  | B   | C               |
| Nominal voltage UN         |  | 600 V   | 600 V           |
| Nominal current IN         |  | 115 A   | 115 A           |
| mm <sup>2</sup> /AWG/kcmil |  | 8-2   | 8-2             |

|           |  |   |            |
|-----------|--|---|------------|
| KEMA-KEUR |  | <a href="http://www.dekra-certification.com">http://www.dekra-certification.com</a> | 2169260.02 |
|-----------|--|---|------------|

|                 |  |   |          |
|-----------------|--|---|----------|
| IECEE CB Scheme |  | <a href="http://www.iecee.org/">http://www.iecee.org/</a> | NL-29946 |
|-----------------|--|---|----------|

## Panel feed-through terminal block - HDFK 25-VP - 0709136

### Approvals

EAC



B.01687

### Accessories

#### Accessories

#### Screwdriver tools

Screwdriver - SZS 1,0X6,5 VDE - 1205079



Screwdriver, slot-headed, VDE insulated, size: 1.0 x 6.5 x 150 mm, 2-component grip, with non-slip grip

---

Phoenix Contact 2020 © - all rights reserved  
<http://www.phoenixcontact.com>

PHOENIX CONTACT GmbH & Co. KG  
Flachsmarktstr. 8  
32825 Blomberg  
Germany  
Tel. +49 5235 300  
Fax +49 5235 3 41200  
<http://www.phoenixcontact.com>

## X-ON Electronics

Largest Supplier of Electrical and Electronic Components

*Click to view similar products for [Fixed Terminal Blocks](#) category:*

*Click to view products by [Phoenix Contact](#) manufacturer:*

Other Similar products are found below :

[MBE-1512](#) [MBE-154](#) [MBE-156](#) [MBES-153](#) [MBES-156](#) [MH-2512](#) [MHE-132](#) [MHE-163](#) [MI-254 \(35\)](#) [MI-272](#) [880507](#) [MPT-275](#)  
[15602-04-08-21](#) [BA311TU](#) [BA411SU](#) [MV-152](#) [MV-252-D](#) [MV-253/NCNOC](#) [MV-254-D](#) [MV-255](#) [MV-462](#) [MV-493](#) [MVE-252](#) [MVE-253](#)  
[MVE-273](#) [MVEB-153](#) [1700096](#) [1705142](#) [1712417](#) [1713020](#) [1713088](#) [1745195](#) [1760594](#) [1776118-2](#) [1790852](#) [1-796689-8](#) [1-796692-6](#)  
[1800001](#) [1800114](#) [1995279](#) [20020314-C121B01LF](#) [CB2-12](#) [KP03215000J0G](#) [KP04215000J0G](#) [S451](#) [282802-2](#) [29.007](#) [29.116](#) [30.103](#)  
[30.106](#)