

Panel feed-through terminal block - HDFK 95-F - 0709644

Please be informed that the data shown in this PDF Document is generated from our Online Catalog. Please find the complete data in the user's documentation. Our General Terms of Use for Downloads are valid (<http://phoenixcontact.com/download>)



Panel feed-through terminal block, connection method: Screw connection with tension sleeve, Screw connection with tension sleeve, number of positions: 1, load current: 232 A, cross section: 25 mm² - 95 mm², connection direction of the conductor to plug-in direction: 0 °, width: 25 mm, color: gray

Your advantages

- ✓ Easy grouping with engagement pin versions
- ✓ Both terminal halves can be easily assembled by simply snapping them together
- ✓ Spacer plates increase clearances and creepage distances
- ✓ Universal screw connection with screw locking
- ✓ Automatic compensation of the panel thickness via the snap principle integrated in the insulation housing
- ✓ Well-known connection principle allows worldwide use
- ✓ Low temperature rise, thanks to maximum contact force
- ✓ Tool-free snap-in principle enables easy mounting on the device panel
- ✓ Automatic panel thickness compensation enables universal use



Key Commercial Data

| | |
|------------------------|---------------|
| Packing unit | 10 pc |
| Minimum order quantity | 10 pc |
| GTIN | |
| GTIN | 4017918104054 |

Technical data

Item properties

| | |
|---------------------------|--------------------------------------|
| Brief article description | Panel feed-through terminal block |
| Range of articles | HDFK 95 |
| Pitch | 25 mm |
| Number of positions | 1 |
| Connection method | Screw connection with tension sleeve |
| Number of connections | 2 |
| Number of potentials | 1 |

Panel feed-through terminal block - HDFK 95-F - 0709644

Technical data

Electrical parameters

| | |
|-----------------------------|---|
| Nominal current | 232 A |
| Nom. voltage | 1000 V (With metal panels of 1 mm ... 2.5 mm) |
| Rated voltage | 1000 V |
| Rated surge voltage (III/3) | 8 kV |

Connection capacity, external

| | |
|---|---|
| Connection method | Screw connection with tension sleeve |
| Connection direction of the conductor to plug-in direction | 0 ° |
| Conductor cross section solid | 25 mm ² ... 95 mm ² |
| Conductor cross section flexible | 35 mm ² ... 95 mm ² |
| Conductor cross section flexible, with ferrule without plastic sleeve | 25 mm ² ... 95 mm ² |
| Conductor cross section, flexible, with ferrule, with plastic sleeve | 25 mm ² ... 95 mm ² |
| 2 conductors with same cross section, solid | 16 mm ² ... 35 mm ² |
| 2 conductors with same cross section, flexible | 16 mm ² ... 35 mm ² |
| 2 conductors with same cross section, flexible, with ferrule without plastic sleeve | 16 mm ² ... 35 mm ² |
| Internal cylindrical gage | B12 |
| Stripping length | 27 mm |
| Torque | 15 Nm ... 20 Nm |

Connection capacity, internal

| | |
|---|---|
| Connection method | Screw connection with tension sleeve |
| Connection direction of the conductor to plug-in direction | 0 ° |
| Conductor cross section solid | 25 mm ² ... 95 mm ² |
| Conductor cross section flexible | 35 mm ² ... 95 mm ² |
| Conductor cross section flexible, with ferrule without plastic sleeve | 25 mm ² ... 95 mm ² |
| Conductor cross section, flexible, with ferrule, with plastic sleeve | 25 mm ² ... 95 mm ² |
| 2 conductors with same cross section, solid | 16 mm ² ... 35 mm ² |
| 2 conductors with same cross section, flexible | 16 mm ² ... 35 mm ² |
| 2 conductors with same cross section, flexible, with ferrule without plastic sleeve | 16 mm ² ... 35 mm ² |
| Internal cylindrical gage | B12 |
| Stripping length | 27 mm |
| Torque | 15 Nm ... 20 Nm |

Material data - contact

| | |
|-------------------------|---|
| Note | WEEE/RoHS-compliant, free of whiskers according to IEC 60068-2-82/ JEDEC JESD 201 |
| Contact material | Cu alloy |
| Surface characteristics | tin-plated |

Material data - housing

| | |
|---------------------|-------------|
| Housing color | gray (7042) |
| Insulating material | PA |

Panel feed-through terminal block - HDFK 95-F - 0709644

Technical data

Material data - housing

| | |
|---|--------|
| Insulating material group | I |
| CTI according to IEC 60112 | 600 |
| Flammability rating according to UL 94 | V0 |
| Glow wire flammability index GWFI according to EN 60695-2-12 | 850 |
| Glow wire ignition temperature GWIT according to EN 60695-2-13 | 775 |
| Temperature for the ball pressure test according to EN 60695-10-2 | 125 °C |

Dimensions for the product

| | |
|--------------|----------|
| Width [w] | 25 mm |
| Height [h] | 100.7 mm |
| Pitch | 25 mm |

Dimensions for mounting cutout

| | |
|-----------------|---------------|
| Plate thickness | 1 mm ... 6 mm |
|-----------------|---------------|

Packaging information

| | |
|----------------------------|------|
| Pieces per package | 10 |
| Denomination packing units | Pcs. |

General product information

| | |
|--------------|---|
| Type of note | Notes on safety |
| Note | The cable entry funnel is not touch-proof. Never connect or disconnect the terminal when it is energized. Take appropriate steps to ensure touch proofness. |

Termination and connection method

| | |
|--|-----------------------|
| Test for conductor damage and slackening | IEC 60947-7-1:2009-04 |
| | Test passed |

Pull-out test

| | |
|--|---|
| Pull-out test | IEC 60947-7-1:2009-04 |
| | Test passed |
| Conductor cross section / conductor type / tensile force | 25 mm ² / stranded / > 135 N |
| | 35 mm ² / flexible / > 190 N |
| | 95 mm ² / stranded / > 351 N |
| | 95 mm ² / flexible / > 351 N |

Mechanical tests according to standard

| | |
|--------------------|--------------------------|
| Test specification | IEC 60947-7-1 (in parts) |
|--------------------|--------------------------|

Electrical tests

| | |
|-------------------------|--------------------|
| Rated current | 232 A |
| Conductor cross section | 95 mm ² |

Air clearances and creepage distances

| | |
|-----------------------------------|--|
| Clearances and creepage distances | Metal wall 1.0 mm ... 2.5 mm IEC 60947-7-1:2009-04 |
| Application | Metal wall 1.0 mm ... 2.5 mm |

Panel feed-through terminal block - HDFK 95-F - 0709644

Technical data

Air clearances and creepage distances

| | |
|---|-----------------------|
| Specification | IEC 60947-7-1:2009-04 |
| Minimum clearance - inhomogeneous field (III/3) | 8 mm |
| Minimum creepage distance value (III/3) | 12.5 mm |

Temperature-rise test

| | |
|-----------------------------------|-------------------------------------|
| Specification | IEC 60947-7-1:2009-04 |
| Result | Test passed |
| Requirement temperature-rise test | Increase in temperature ≤ 45 K |

Standards and Regulations

| | |
|--|--|
| Connection in acc. with standard | CSA |
| | IEC 60947-7-1 |
| Flammability rating according to UL 94 | V0 |
| Safety note | <ul style="list-style-type: none"> • WARNING: Only electrically qualified personnel may install and operate the product. They must observe the following safety notes. The qualified personnel must be familiar with the basics of electrical engineering. They must be able to recognize and prevent danger. The relevant symbol on the packaging indicates that only personnel familiar with electrical engineering are allowed to install and operate the product. • The installation notes/Design In documents online on the download page at phoenixcontact.com/products must be observed for this product. • The cable entry funnel is not safe to touch. Never connect or disconnect the terminal when it is energized. Take appropriate steps to ensure touch protection. |

Glow-wire test

| | |
|------------------|------------------------|
| Specification | IEC 60695-2-11:2000-10 |
| Result | Test passed |
| Temperature | 960 °C |
| Time of exposure | 30 s |

Needle flame test

| | |
|------------------|-----------------------|
| Specification | IEC 60947-7-1:2009-04 |
| Result | Test passed |
| Time of exposure | 30 s |

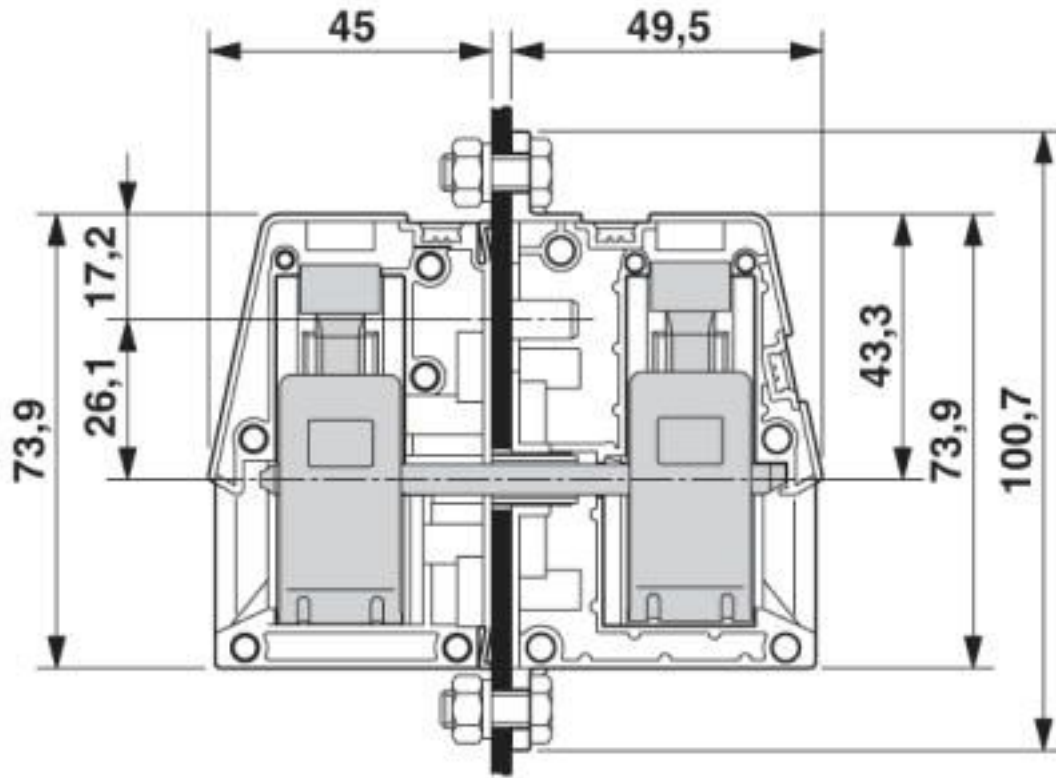
Environmental Product Compliance

| | |
|------------|---|
| REACH SVHC | Lead 7439-92-1 |
| China RoHS | Environmentally Friendly Use Period = 50 years |
| | For details about hazardous substances go to tab "Downloads", Category "Manufacturer's declaration" |

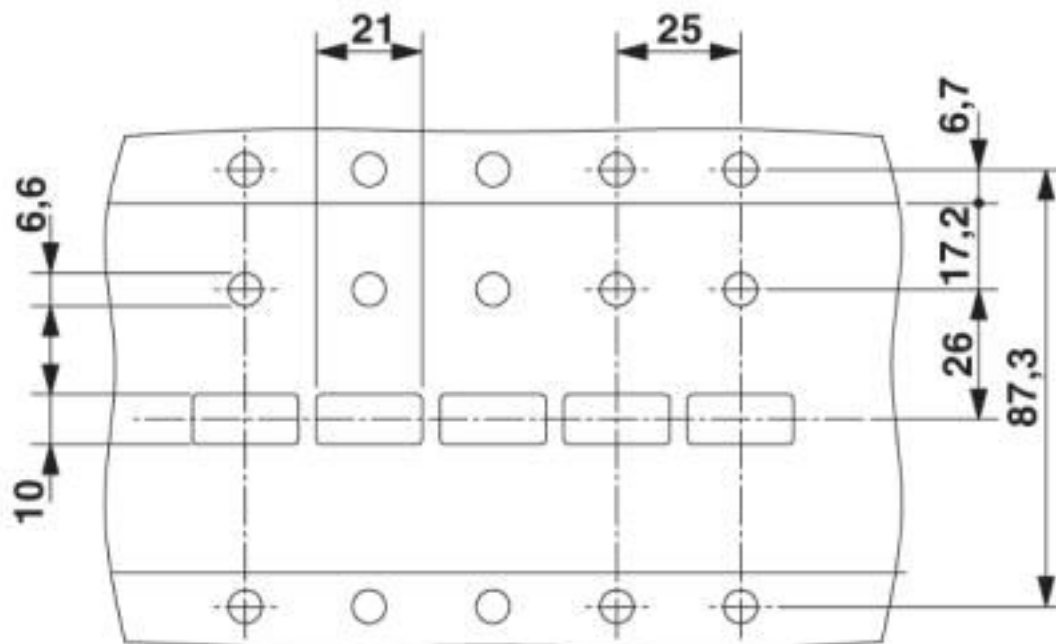
Drawings

Panel feed-through terminal block - HDFK 95-F - 0709644

Dimensional drawing



Dimensional drawing



Panel feed-through terminal block - HDFK 95-F - 0709644

Classifications

eCl@ss

| | |
|---------------|----------|
| eCl@ss 10.0.1 | 27141134 |
| eCl@ss 4.0 | 27141100 |
| eCl@ss 4.1 | 27141100 |
| eCl@ss 5.0 | 27141100 |
| eCl@ss 5.1 | 27141100 |
| eCl@ss 6.0 | 27141100 |
| eCl@ss 7.0 | 27141134 |
| eCl@ss 8.0 | 27141134 |
| eCl@ss 9.0 | 27141134 |

ETIM

| | |
|----------|----------|
| ETIM 2.0 | EC001283 |
| ETIM 3.0 | EC001283 |
| ETIM 4.0 | EC001283 |
| ETIM 5.0 | EC001283 |
| ETIM 6.0 | EC001283 |
| ETIM 7.0 | EC001283 |

UNSPSC

| | |
|---------------|----------|
| UNSPSC 6.01 | 30211811 |
| UNSPSC 7.0901 | 39121410 |
| UNSPSC 11 | 39121410 |
| UNSPSC 12.01 | 39121410 |
| UNSPSC 13.2 | 39121410 |
| UNSPSC 18.0 | 39121410 |
| UNSPSC 19.0 | 39121410 |
| UNSPSC 20.0 | 39121410 |
| UNSPSC 21.0 | 39121410 |

Approvals

Approvals

Approvals

CSA / UL Recognized / EAC

Ex Approvals

Approval details

Panel feed-through terminal block - HDFK 95-F - 0709644

Approvals

| | | | |
|----------------------------|-------|---|-------|
| CSA | | http://www.csagroup.org/services-industries/product-listing/ | 13631 |
| | B | C | |
| Nominal voltage UN | 600 V | 600 V | |
| Nominal current IN | 230 A | 230 A | |
| mm ² /AWG/kcmil | 2 | 2 | |

| | | | |
|----------------------------|-------|---|-----------------|
| UL Recognized | | http://database.ul.com/cgi-bin/XYV/template/LISEXT/1FRAME/index.htm | E60425-19890329 |
| | B | C | |
| Nominal voltage UN | 600 V | 600 V | |
| Nominal current IN | 230 A | 230 A | |
| mm ² /AWG/kcmil | 4 | 4 | |

| | | | |
|-----|--|--|---------|
| EAC | | | B.01687 |
|-----|--|--|---------|

Accessories

Accessories

Labeled terminal marker

Marker for terminal blocks - UC-TM 12 CUS - 0824613



Marker for terminal blocks, can be ordered: by sheet, white, labeled according to customer specifications, mounting type: snap into tall marker groove, for terminal block width: 12 mm, lettering field size: 11.45 x 10.5 mm, Number of individual labels: 40

Zack marker strip - ZB 12 CUS - 0824942



Zack marker strip, can be ordered: Strip, white, labeled according to customer specifications, mounting type: snap into tall marker groove, for terminal block width: 12.2 mm, lettering field size: 10.5 x 12.15 mm, Number of individual labels: 5

Panel feed-through terminal block - HDFK 95-F - 0709644

Accessories

Zack marker strip - ZB 12,LGS:L1-N,PE - 0812146



Zack marker strip, Strip, white, labeled, printed horizontally: L1, L2, L3, N, PE, mounting type: snap into tall marker groove, for terminal block width: 12.2 mm, lettering field size: 10.5 x 12.15 mm, Number of individual labels: 5

Mounting material

Insertion profile - UKH 95 EP - 3009231



Insertion profile, color: silver

Terminal marking

Marker for terminal blocks - UC-TM 12 - 0819194



Marker for terminal blocks, Sheet, white, unlabeled, can be labeled with: BLUEMARK ID COLOR, BLUEMARK ID, BLUEMARK CLED, PLOTMARK, CMS-P1-PLOTTER, mounting type: snap into tall marker groove, for terminal block width: 12 mm, lettering field size: 11.45 x 10.5 mm, Number of individual labels: 40

Zack marker strip - ZB 12:UNPRINTED - 0812120



Zack marker strip, Strip, white, unlabeled, can be labeled with: PLOTMARK, CMS-P1-PLOTTER, mounting type: snap into tall marker groove, for terminal block width: 12.2 mm, lettering field size: 12 x 10.5 mm, Number of individual labels: 5

X-ON Electronics

Largest Supplier of Electrical and Electronic Components

Click to view similar products for [Fixed Terminal Blocks](#) category:

Click to view products by [Phoenix Contact](#) manufacturer:

Other Similar products are found below :

[MBE-1512](#) [MBE-154](#) [MBE-156](#) [MBES-153](#) [MBES-156](#) [MH-2512](#) [MHE-132](#) [MHE-163](#) [MI-254 \(35\)](#) [MI-272](#) [880507](#) [MPT-275](#)
[15602-04-08-21](#) [BA311TU](#) [BA411SU](#) [MV-152](#) [MV-252-D](#) [MV-253/NCNOC](#) [MV-254-D](#) [MV-255](#) [MV-462](#) [MV-493](#) [MVE-252](#) [MVE-253](#)
[MVE-273](#) [MVEB-153](#) [1700096](#) [1705142](#) [1712417](#) [1713020](#) [1713088](#) [1745195](#) [1760594](#) [1776118-2](#) [1790852](#) [1-796689-8](#) [1-796692-6](#)
[1800001](#) [1800114](#) [1995279](#) [20020314-C121B01LF](#) [CB2-12](#) [KP03215000J0G](#) [KP04215000J0G](#) [S451](#) [282802-2](#) [29.007](#) [29.116](#) [30.103](#)
[30.106](#)