

Sealing frame - CES-B16-HFFS-PLBK - 0801662

Please be informed that the data shown in this PDF Document is generated from our Online Catalog. Please find the complete data in the user's documentation. Our General Terms of Use for Downloads are valid (<http://phoenixcontact.com/download>)



Sealing frame with locking latch, size B16, with flat gasket, for 8 small sleeves

Your advantages

- Can also be used for standard panel cutouts for heavy-duty industrial connectors

Key Commercial Data

Packing unit	1 pc
GTIN	
GTIN	4046356674102

Technical data

Dimensions

Length	120 mm
Width	58 mm
Height	20 mm

Ambient conditions

Degree of protection	IP54
Ambient temperature (operation)	-40 °C ... 120 °C (static)

General

Frame type	Sealing frame
Material	PA (halogen-free)
Flammability rating according to UL 94	V0
Color	black
Torque	1.8 Nm (Mounting screw, M4 (ISO 4762/DIN 912))
Note	Mounting screws not supplied as standard. The maximum width of the panel cutout must not exceed 51 mm (instead of 35 mm for heavy-duty industrial connectors).

Sealing frame - CES-B16-HFFS-PLBK - 0801662

Technical data

General

Installation instructions	One large sleeve requires the space of 4 small sleeves, M4 mounting screws (ISO 4762/DIN 912), torque for mounting screw: 1.8 Nm
	A video tutorial on how to assemble the product can be found in the Downloads area, in the Video category.

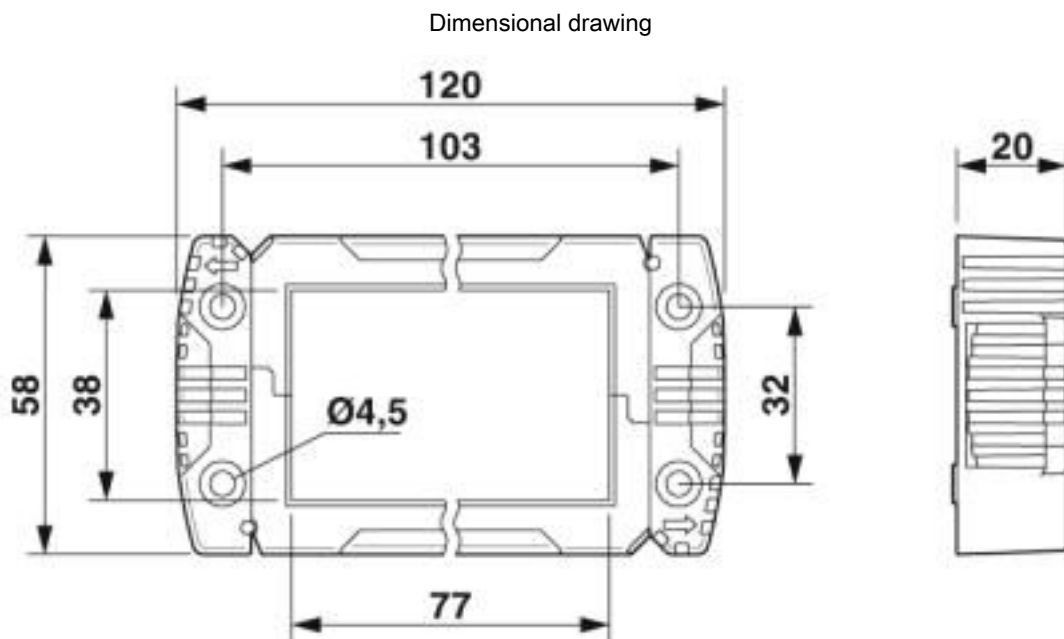
Standards and Regulations

Connection in acc. with standard	CUL
Flammability rating according to UL 94	V0

Environmental Product Compliance

China RoHS	Environmentally friendly use period: unlimited = EFUP-e
	No hazardous substances above threshold values

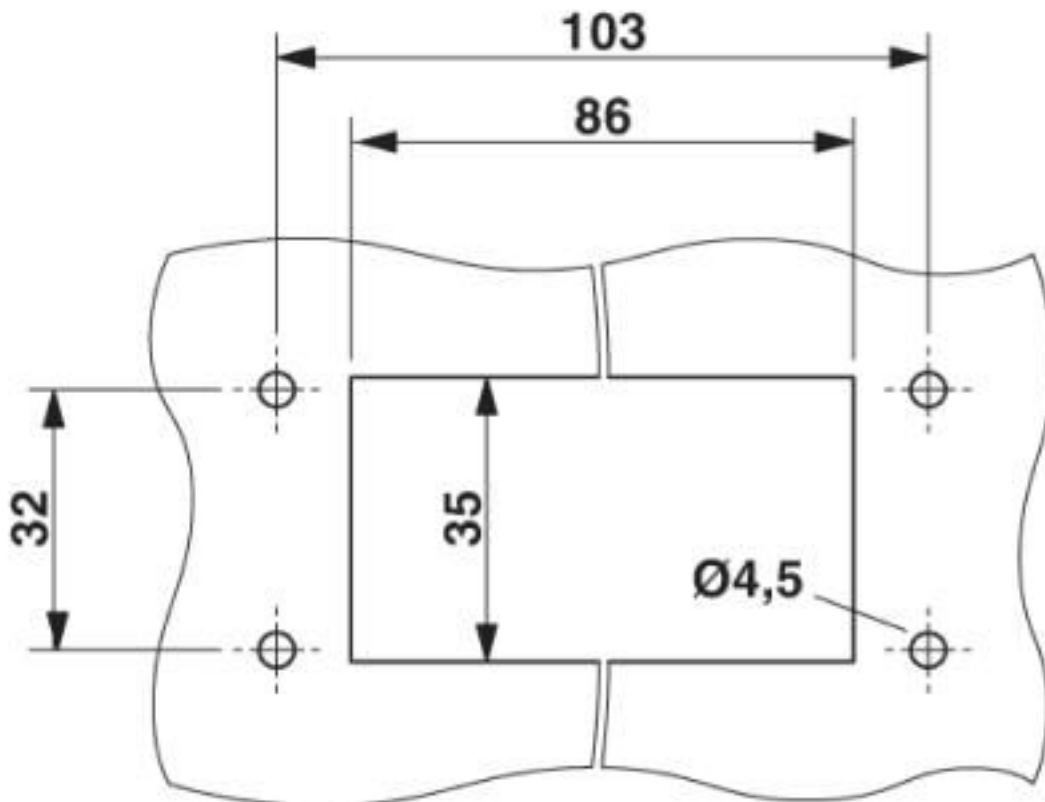
Drawings



Dimensional drawing

Sealing frame - CES-B16-HFFS-PLBK - 0801662

Dimensional drawing



Mounting cutout

Classifications

eCl@ss

eCl@ss 10.0.1	27142421
eCl@ss 4.0	23110100
eCl@ss 4.1	23110100
eCl@ss 5.0	23110100
eCl@ss 5.1	23110100
eCl@ss 6.0	23110100
eCl@ss 7.0	27142421
eCl@ss 8.0	27142421
eCl@ss 9.0	27142421

ETIM

ETIM 3.0	EC001121
ETIM 4.0	EC002498
ETIM 5.0	EC000211
ETIM 6.0	EC000211

Sealing frame - CES-B16-HFFS-PLBK - 0801662

Classifications

ETIM

ETIM 7.0	EC000211
----------	----------

UNSPSC

UNSPSC 6.01	27113201
UNSPSC 7.0901	27113201
UNSPSC 11	27113201
UNSPSC 12.01	27113201
UNSPSC 13.2	27113201
UNSPSC 18.0	31261501
UNSPSC 19.0	31261501
UNSPSC 20.0	31261501
UNSPSC 21.0	31261501

Approvals

Approvals

Approvals

UL Recognized / cUL Recognized / DNV GL / cULus Recognized

Ex Approvals

Approval details

UL Recognized		http://database.ul.com/cgi-bin/XYV/template/LISEXT/1FRAME/index.htm	NITW2.E255026
---------------	---	---	---------------

cUL Recognized		http://database.ul.com/cgi-bin/XYV/template/LISEXT/1FRAME/index.htm	NITW8.E255026
----------------	---	---	---------------

DNV GL		https://approvalfinder.dnvgl.com/	TAE00003VJ
--------	---	---	------------

cULus Recognized			
------------------	---	--	--

Sealing frame - CES-B16-HFFS-PLBK - 0801662

Accessories

Accessories

Seal

Flat gasket - CES-B16-WRG-BK - 0801726



Flat gasket made of NBR, size B16

Phoenix Contact 2020 © - all rights reserved
<http://www.phoenixcontact.com>

PHOENIX CONTACT GmbH & Co. KG
Flachsmarktstr. 8
32825 Blomberg
Germany
Tel. +49 5235 300
Fax +49 5235 3 41200
<http://www.phoenixcontact.com>

X-ON Electronics

Largest Supplier of Electrical and Electronic Components

Click to view similar products for [Conduit Fittings & Accessories](#) category:

Click to view products by [Phoenix Contact](#) manufacturer:

Other Similar products are found below :

[M3231GAB](#) [M3231GAC](#) [M3231GAE](#) [M3231GL](#) [M3231GT](#) [VC-937-16/RED](#) [VC-562-16/RED](#) [VC-1125-16/RED](#) [DM0240-1/2A](#) [3408B](#)
[G6002](#) [M4340GAE](#) [C2016-P](#) [C2012-P](#) [3407B](#) [1660-P](#) [561-87BG11BLK](#) [561-75BG11B](#) [1.533.1201.50](#) [1.533.1601.51](#) [BVNV-P428](#) [BVBV-](#)
[P366](#) [2276](#) [2663-P](#) [3405B](#) [C2070-P](#) [3582V](#) [2643-P](#) [4975](#) [2644-P](#) [2955](#) [M50](#) [2404-P](#) [2723-P](#) [2291](#) [2133-P](#) [3048F](#) [VC12516](#) [RC156-0500](#)
[DM0523-1/2A](#) [1035A](#) [DMS0250-1A](#) [DMS0313-1A](#) [1040A](#) [1050A](#) [R1/8A](#) [DMPC0490-1/2A](#) [DMPC0521-1/2A](#) [DMPC0552-1/2A](#) [1070A](#)
[R1/2A](#)