

## Sealing frame - CES-B10-HFFS-PLBK - 0801663

Please be informed that the data shown in this PDF Document is generated from our Online Catalog. Please find the complete data in the user's documentation. Our General Terms of Use for Downloads are valid (<http://phoenixcontact.com/download>)




Sealing frame with locking latch, size B10, with flat gasket, for 6 small sleeves

### Your advantages

- Can also be used for standard panel cutouts for heavy-duty industrial connectors

### Key Commercial Data

Packing unit	1 pc
GTIN	 4 046356 674096
GTIN	4046356674096

### Technical data

#### Dimensions

Length	99.2 mm
Width	58 mm
Height	20 mm

#### Ambient conditions

Degree of protection	IP54
Ambient temperature (operation)	-40 °C ... 120 °C (static)

#### General

Frame type	Sealing frame
Material	PA (halogen-free)
Flammability rating according to UL 94	V0
Color	black
Torque	1.8 Nm (Mounting screw, M4 (ISO 4762/DIN 912))
Note	Mounting screws not supplied as standard. The maximum width of the panel cutout must not exceed 51 mm (instead of 35 mm for heavy-duty industrial connectors).

# Sealing frame - CES-B10-HFFS-PLBK - 0801663

## Technical data

### General

Installation instructions	One large sleeve requires the space of 4 small sleeves, M4 mounting screws (ISO 4762/DIN 912), torque for mounting screw: 1.8 Nm
	A video tutorial on how to assemble the product can be found in the Downloads area, in the Video category.

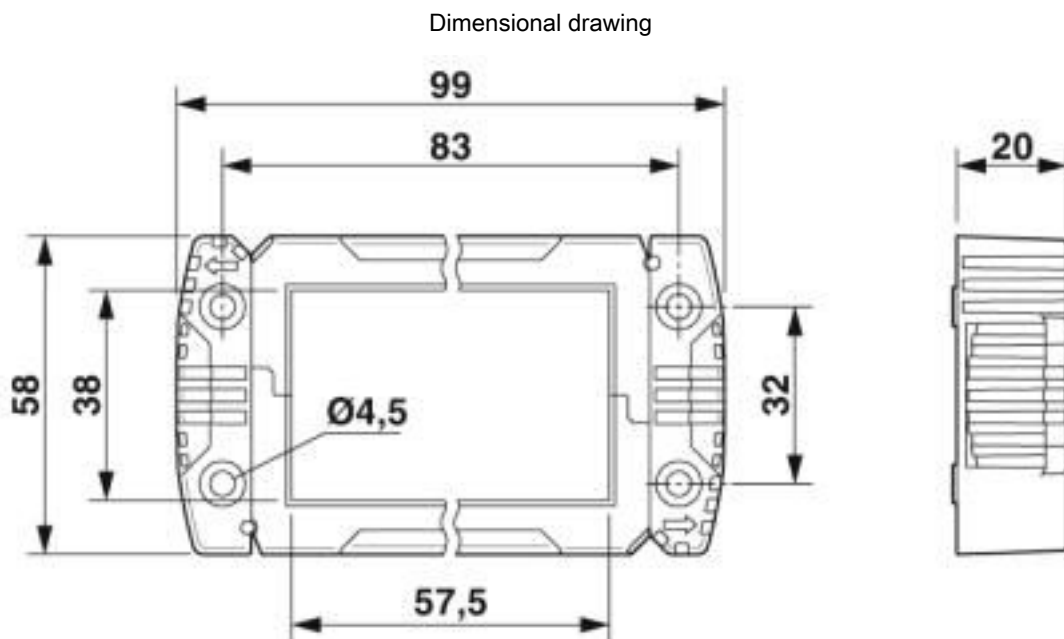
### Standards and Regulations

Connection in acc. with standard	CUL
Flammability rating according to UL 94	V0

### Environmental Product Compliance

China RoHS	Environmentally friendly use period: unlimited = EFUP-e
	No hazardous substances above threshold values

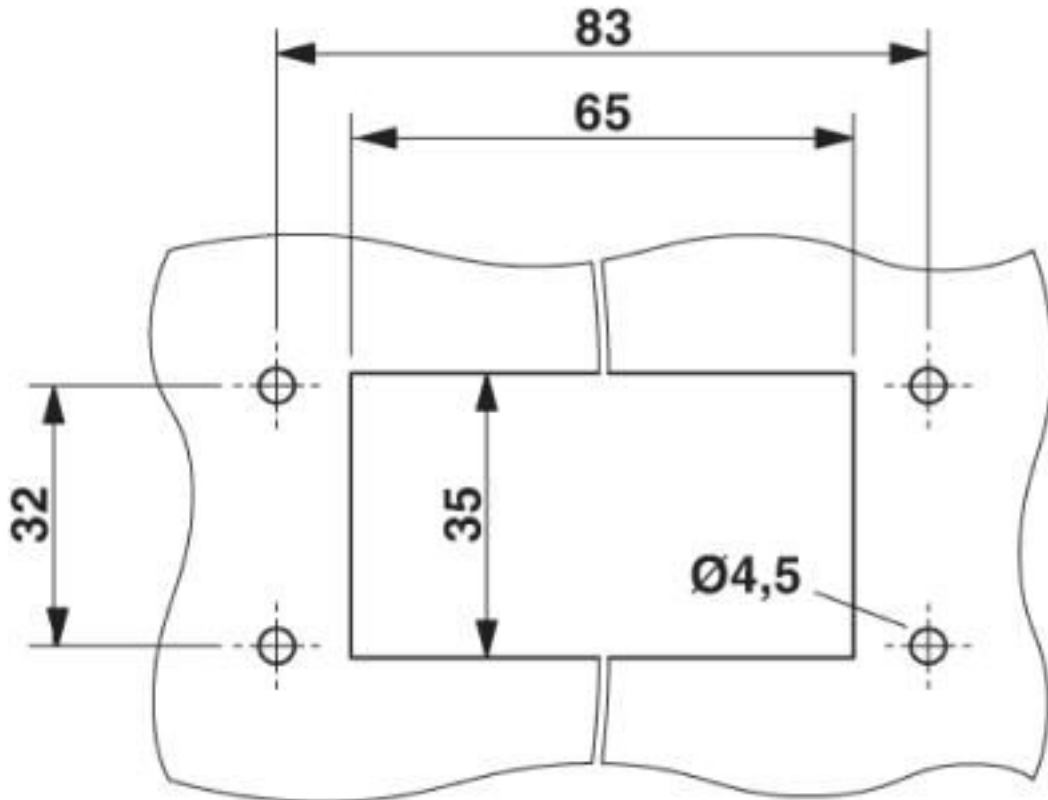
## Drawings



Dimensional drawing

## Sealing frame - CES-B10-HFFS-PLBK - 0801663

Dimensional drawing



Mounting cutout

### Classifications

eCl@ss

eCl@ss 10.0.1	27142421
eCl@ss 4.0	23110100
eCl@ss 4.1	23110100
eCl@ss 5.0	23110100
eCl@ss 5.1	23110100
eCl@ss 6.0	23110100
eCl@ss 7.0	27142421
eCl@ss 8.0	27142421
eCl@ss 9.0	27142421

ETIM

ETIM 3.0	EC001121
ETIM 4.0	EC002498
ETIM 5.0	EC000211
ETIM 6.0	EC000211

# Sealing frame - CES-B10-HFFS-PLBK - 0801663

## Classifications

### ETIM

ETIM 7.0	EC000211
----------	----------

### UNSPSC

UNSPSC 6.01	27113201
UNSPSC 7.0901	27113201
UNSPSC 11	27113201
UNSPSC 12.01	27113201
UNSPSC 13.2	27113201
UNSPSC 18.0	31261501
UNSPSC 19.0	31261501
UNSPSC 20.0	31261501
UNSPSC 21.0	31261501

## Approvals

### Approvals

#### Approvals

UL Recognized / cUL Recognized / DNV GL / cULus Recognized

#### Ex Approvals

### Approval details

UL Recognized		<a href="http://database.ul.com/cgi-bin/XYV/template/LISEXT/1FRAME/index.htm">http://database.ul.com/cgi-bin/XYV/template/LISEXT/1FRAME/index.htm</a>	NITW2.E255026
---------------	--	---	---------------

cUL Recognized		<a href="http://database.ul.com/cgi-bin/XYV/template/LISEXT/1FRAME/index.htm">http://database.ul.com/cgi-bin/XYV/template/LISEXT/1FRAME/index.htm</a>	NITW8.E255026
----------------	--	---	---------------

DNV GL		<a href="https://approvalfinder.dnvgl.com/">https://approvalfinder.dnvgl.com/</a>	TAE00003VJ
--------	--	---	------------

cULus Recognized			
------------------	--	--	--

## Sealing frame - CES-B10-HFFS-PLBK - 0801663

### Accessories

#### Accessories

#### Seal

Flat gasket - CES-B10-WRG-BK - 0801725



Flat gasket made of NBR, size B10

---

Phoenix Contact 2020 © - all rights reserved  
<http://www.phoenixcontact.com>

PHOENIX CONTACT GmbH & Co. KG  
Flachsmarktstr. 8  
32825 Blomberg  
Germany  
Tel. +49 5235 300  
Fax +49 5235 3 41200  
<http://www.phoenixcontact.com>

## X-ON Electronics

Largest Supplier of Electrical and Electronic Components

*Click to view similar products for [Conduit Fittings & Accessories](#) category:*

*Click to view products by [Phoenix Contact](#) manufacturer:*

Other Similar products are found below :

[M3231GAB](#) [M3231GAC](#) [M3231GAE](#) [M3231GL](#) [M3231GT](#) [VC-937-16/RED](#) [VC-562-16/RED](#) [VC-1125-16/RED](#) [DM0240-1/2A](#) [3408B](#)  
[G6002](#) [M4340GAE](#) [C2016-P](#) [C2012-P](#) [3407B](#) [1660-P](#) [561-87BG11BLK](#) [561-75BG11B](#) [1.533.1201.50](#) [1.533.1601.51](#) [BVNV-P428](#) [BVBV-](#)  
[P366](#) [2276](#) [2663-P](#) [3405B](#) [C2070-P](#) [3582V](#) [2643-P](#) [4975](#) [2644-P](#) [2955](#) [M50](#) [2404-P](#) [C2008-P](#) [2723-P](#) [2291](#) [2133-P](#) [3048F](#) [VC12516](#)  
[RC156-0500](#) [DM0523-1/2A](#) [1035A](#) [DMS0250-1A](#) [DMS0313-1A](#) [1040A](#) [1050A](#) [R1/8A](#) [DMPC0490-1/2A](#) [DMPC0521-1/2A](#) [DMPC0552-](#)  
[1/2A](#) [1070A](#)