

## Cable sleeve - CES-SRC-BK - 0801718

Please be informed that the data shown in this PDF Document is generated from our Online Catalog. Please find the complete data in the user's documentation. Our General Terms of Use for Downloads are valid (<http://phoenixcontact.com/download>)




Small, unslotted cable sleeves suitable for cables with a diameter of 2 ... 11 mm, material: NBR

### Product Description

Unslotted sleeves for accommodating cables and lines with a diameter of 2 ... 11 mm, can be used in CES sealing frames



### Key Commercial Data

Packing unit	10 pc
GTIN	 4 046356 675185
GTIN	4046356675185

### Technical data

#### Dimensions

External cable diameter	2 mm ... 11 mm
Length	29.5 mm
Width	19.5 mm
Height	17 mm

#### Ambient conditions

Degree of protection	IP54
	IP65
Ambient temperature (operation)	-40 °C ... 125 °C (static)

#### General

Product description	Unslotted sleeves for accommodating cables and lines with a diameter of 2 ... 11 mm, can be used in CES sealing frames
No. of conductors	1
Material	NBR
	NBR
Color	black

# Cable sleeve - CES-SRC-BK - 0801718

## Technical data

### General

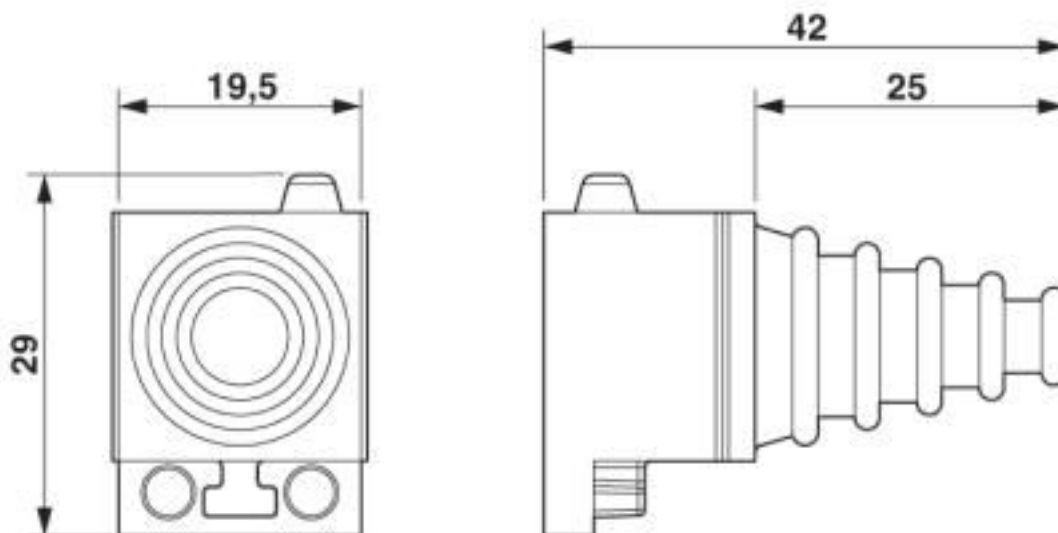
Installation instructions	IP54: for vertical sealing frame mounting/for horizontal sealing frame mounting (downward cable outlet direction). IP65: vertical mounting/horizontal mounting (downward cable outlet direction) of the sealing frame directly on the housing panel and use of a 3.6 mm wide cable binder (e.g., item 3240744).
---------------------------	---

### Environmental Product Compliance

China RoHS	Environmentally friendly use period: unlimited = EFUP-e
	No hazardous substances above threshold values

## Drawings

Dimensional drawing



Dimensional drawing

## Classifications

### eCl@ss

eCl@ss 10.0.1	27144425
eCl@ss 4.0	27081000
eCl@ss 4.1	27081000
eCl@ss 5.0	27081000
eCl@ss 5.1	27081000
eCl@ss 6.0	27081000
eCl@ss 7.0	27069220
eCl@ss 8.0	27069220
eCl@ss 9.0	27144425

# Cable sleeve - CES-SRC-BK - 0801718

## Classifications

### ETIM

ETIM 3.0	EC000879
ETIM 4.0	EC000451
ETIM 5.0	EC000451
ETIM 6.0	EC000451
ETIM 7.0	EC000451

### UNSPSC

UNSPSC 6.01	30212109
UNSPSC 7.0901	39121708
UNSPSC 11	39121708
UNSPSC 12.01	39121708
UNSPSC 13.2	30181807
UNSPSC 18.0	39121448
UNSPSC 19.0	39121448
UNSPSC 20.0	39121448
UNSPSC 21.0	39121448

## Approvals

### Approvals

---

Approvals

DNV GL

---

Ex Approvals

---

### Approval details

DNV GL		<a href="https://approvalfinder.dnvgl.com/">https://approvalfinder.dnvgl.com/</a>	TAE00003VJ
--------	--	---	------------

## Accessories

Accessories

Cable tie

## Cable sleeve - CES-SRC-BK - 0801718

### Accessories

Cable tie - WT-HF 2,5X98 BK - 3240733



Cable binders for quick and secure bundling, standard version

---

Phoenix Contact 2020 © - all rights reserved  
<http://www.phoenixcontact.com>

PHOENIX CONTACT GmbH & Co. KG  
Flachsmarktstr. 8  
32825 Blomberg  
Germany  
Tel. +49 5235 300  
Fax +49 5235 3 41200  
<http://www.phoenixcontact.com>

## X-ON Electronics

Largest Supplier of Electrical and Electronic Components

*Click to view similar products for [Conduit Fittings & Accessories](#) category:*

*Click to view products by [Phoenix Contact](#) manufacturer:*

Other Similar products are found below :

[M3231GAB](#) [M3231GAC](#) [M3231GAE](#) [M3231GL](#) [M3231GT](#) [VC-937-16/RED](#) [VC-562-16/RED](#) [VC-1125-16/RED](#) [DM0240-1/2A](#) [3408B](#)  
[G6002](#) [M4340GAE](#) [C2016-P](#) [C2012-P](#) [3407B](#) [1660-P](#) [561-87BG11BLK](#) [561-75BG11B](#) [1.533.1201.50](#) [1.533.1601.51](#) [BVNV-P428](#) [BVBV-](#)  
[P366](#) [2276](#) [2663-P](#) [3405B](#) [C2070-P](#) [3582V](#) [2643-P](#) [4975](#) [2644-P](#) [2955](#) [M50](#) [2404-P](#) [2723-P](#) [2291](#) [2133-P](#) [3048F](#) [VC12516](#) [RC156-0500](#)  
[DM0523-1/2A](#) [1035A](#) [DMS0250-1A](#) [DMS0313-1A](#) [1040A](#) [1050A](#) [R1/8A](#) [DMPC0490-1/2A](#) [DMPC0521-1/2A](#) [DMPC0552-1/2A](#) [1070A](#)  
[R1/2A](#)