

Socket - EO-CF/PT/LED - 0804040

Please be informed that the data shown in this PDF Document is generated from our Online Catalog. Please find the complete data in the user's documentation. Our General Terms of Use for Downloads are valid (<http://phoenixcontact.com/download>)




Socket, Pin connector pattern type CF, Push-in spring connection, Light indicator, gray, for mounting on a DIN rail in the service interface or direct mounting, 250 V AC, 16 A, -20 °C, 60 °C, VDE 0620-1



COMPLETE

Key Commercial Data

| | |
|------------------------|---|
| Packing unit | 5 pc |
| Minimum order quantity | 5 pc |
| GTIN |  4 055626 225807 |
| GTIN | 4055626225807 |

Technical data

Dimensions

| | |
|--------|-------|
| Width | 45 mm |
| Height | 75 mm |
| Depth | 60 mm |

Ambient conditions

| | |
|---------------------------------|------------------|
| Ambient temperature (operation) | -20 °C ... 60 °C |
|---------------------------------|------------------|

General

| | |
|--|------------------|
| Nominal voltage U_N | 250 V AC (50 Hz) |
| Nominal current I_N | 16 A |
| Status display | Yes |
| Contact material | CuZn37 |
| Color | gray |
| Insulating material | PA |
| Flammability rating according to UL 94 | V0 |
| Standards/regulations | VDE 0620-1 |
| Country ID | Germany |

Socket - EO-CF/PT/LED - 0804040

Technical data

Connection data

| | |
|---------------------------------------|---------------------------|
| Conductor cross section solid min. | 0.2 mm ² |
| Conductor cross section solid max. | 4 mm ² |
| Conductor cross section flexible min. | 0.2 mm ² |
| Conductor cross section flexible max. | 2.5 mm ² |
| Conductor cross section AWG min. | 24 |
| Conductor cross section AWG max. | 12 |
| Connection method | Push-in spring connection |

Standards and Regulations

| | |
|--|------------|
| Standards/regulations | VDE 0620-1 |
| Flammability rating according to UL 94 | V0 |

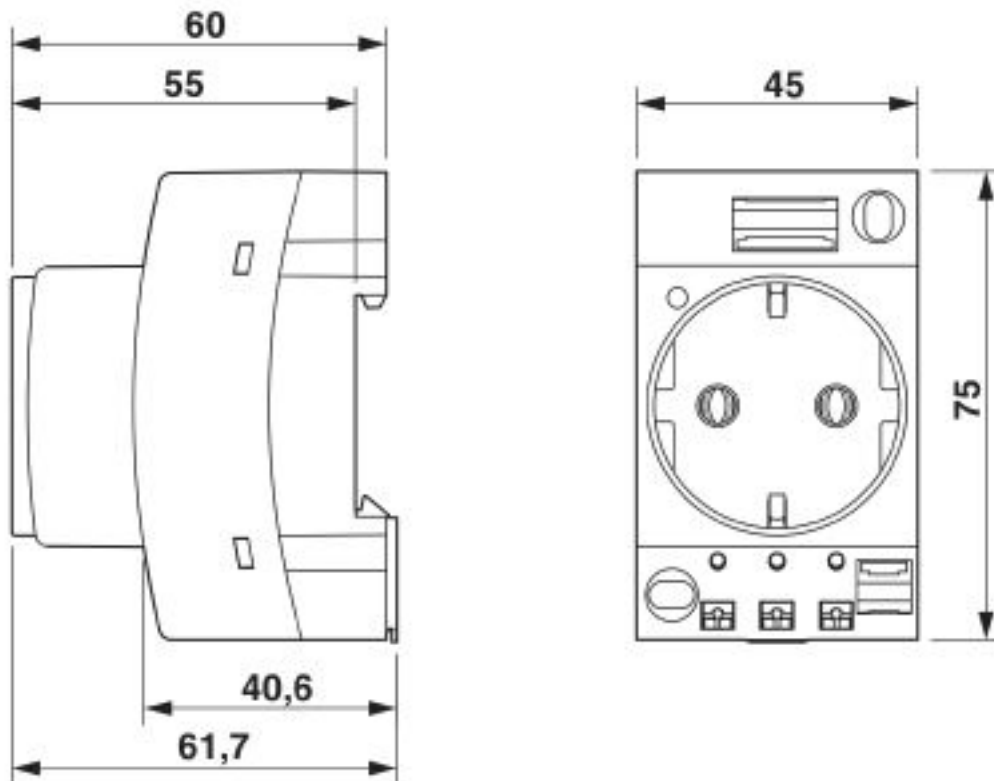
Environmental Product Compliance

| | |
|------------|---|
| REACH SVHC | Lead 7439-92-1 |
| China RoHS | Environmentally Friendly Use Period = 50 years |
| | For details about hazardous substances go to tab "Downloads", Category "Manufacturer's declaration" |

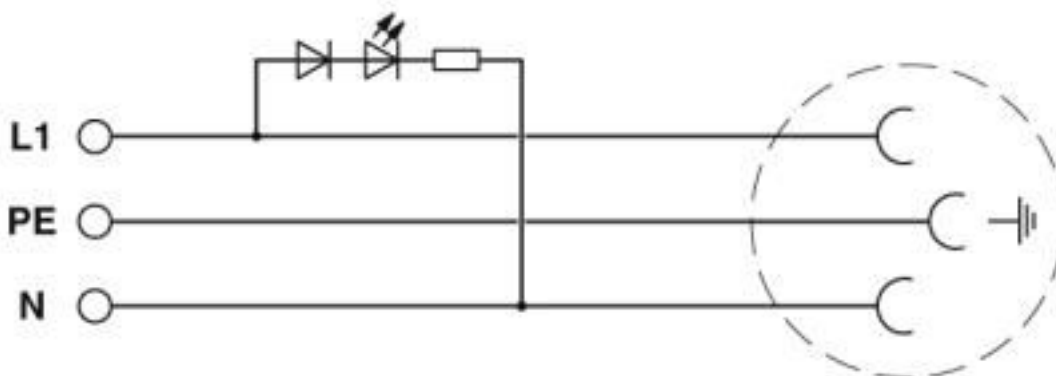
Drawings

Socket - EO-CF/PT/LED - 0804040

Dimensional drawing



Circuit diagram



Classifications

eCl@ss

| | |
|---------------|----------|
| eCl@ss 10.0.1 | 27142305 |
| eCl@ss 4.0 | 27142300 |
| eCl@ss 4.1 | 27142300 |
| eCl@ss 5.0 | 27142300 |

Socket - EO-CF/PT/LED - 0804040

Classifications

eCl@ss

| | |
|------------|----------|
| eCl@ss 5.1 | 27142300 |
| eCl@ss 6.0 | 27142300 |
| eCl@ss 7.0 | 27142305 |
| eCl@ss 8.0 | 27142305 |
| eCl@ss 9.0 | 27142305 |

ETIM

| | |
|----------|----------|
| ETIM 5.0 | EC001663 |
| ETIM 6.0 | EC001663 |
| ETIM 7.0 | EC001663 |

Approvals


Approvals


Approvals


VDE Gutachten mit Fertigungsüberwachung / EAC-RoHS / EAC

Ex Approvals

Approval details

| | | | |
|---|---|---|----------|
| VDE Gutachten mit Fertigungsüberwachung |  | http://www2.vde.com/de/Institut/Online-Service/VDE-gepruefteProdukte/Seiten/Online-Suche.aspx | 40047713 |
| Nominal voltage UN | 250 V | | |
| Nominal current IN | 16 A | | |

| | | |
|----------|---|----------------------|
| EAC-RoHS |  | RU D-DE.HB49.B.00025 |
|----------|---|----------------------|

| | | |
|-----|---|----------------------|
| EAC |  | RU C-DE.BL08.B.00511 |
|-----|---|----------------------|

Accessories

Accessories

Adapter plate

Socket - EO-CF/PT/LED - 0804040

Accessories

Adapter plate - EO-SI-FRAME - 0804522



Adapter plate for installing the control cabinet sockets (type EO-...) in the mounting frames (type VS-SI-EB-EMV.../ SI-M1A.../ SI-M1B...). Includes fastening hardware for the control cabinet socket

Terminal marking

Marker for terminal blocks - UC-TMF 8 - 0818137



Marker for terminal blocks, Sheet, white, unlabeled, can be labeled with: BLUEMARK ID COLOR, BLUEMARK ID, BLUEMARK CLED, PLOTMARK, CMS-P1-PLOTTER, mounting type: snap into flat marker groove, for terminal block width: 8.2 mm, lettering field size: 7.6 x 5.1 mm, Number of individual labels: 56

Marker for terminal blocks - UC-TMF 16 - 0819262



Marker for terminal blocks, Sheet, white, unlabeled, can be labeled with: BLUEMARK ID COLOR, BLUEMARK ID, BLUEMARK CLED, PLOTMARK, CMS-P1-PLOTTER, mounting type: snap into flat marker groove, for terminal block width: 16 mm, lettering field size: 15.45 x 5.1 mm, Number of individual labels: 32

Zack Marker strip, flat - ZBF 8:UNBEDRUCKT - 0808781



Zack Marker strip, flat, Strip, white, unlabeled, can be labeled with: PLOTMARK, CMS-P1-PLOTTER, mounting type: snap into flat marker groove, for terminal block width: 8 mm, lettering field size: 5.15 x 8.15 mm, Number of individual labels: 10

Zack Marker strip, flat - ZBF 16:UNPRINTED - 0827464



Zack Marker strip, flat, Strip, white, unlabeled, can be labeled with: PLOTMARK, CMS-P1-PLOTTER, mounting type: snap into flat marker groove, for terminal block width: 16 mm, lettering field size: 16.25 x 10.5 mm, Number of individual labels: 50

Phoenix Contact 2020 © - all rights reserved
<http://www.phoenixcontact.com>

PHOENIX CONTACT GmbH & Co. KG
Flachmarktstr. 8
32825 Blomberg
Germany
Tel. +49 5235 300
Fax +49 5235 3 41200
<http://www.phoenixcontact.com>

X-ON Electronics

Largest Supplier of Electrical and Electronic Components

Click to view similar products for [Surge Suppressors](#) category:

Click to view products by [Phoenix Contact](#) manufacturer:

Other Similar products are found below :

[GUS1](#) [GUS12](#) [BSPM1A600D600LVR](#) [2800521](#) [29-2053](#) [GUS11](#) [GUS2](#) [GUS3](#) [30460](#) [SRA64C060X](#) [PC642C015](#) [1810-15-A3](#) [2713175](#)
[4B06B-EC1-150LF](#) [SRA6LC](#) [BPMA75D100LV](#) [CX06M](#) [CCTV1](#) [GUS13](#) [GUS14](#) [GUS5](#) [GUS6](#) [VAL-MS 320/3+0-FM](#) [VAL-US-](#)
[120/40/1+1-FM](#) [VAL-US-120/65/1+1-FM](#) [VAL-US-480D/30/3+0-FM](#) [VAL-US-120/40/1+0-FM](#) [LP-BFDN-CW](#) [LP-STRL-NFF](#) [LP-STRL-](#)
[DFF](#) [GUS22](#) [0804111](#) [5053609](#) [5053201](#) [SPD2-150-1P0](#) [SPD2-550-1P0](#) [6720005416](#) [6720005417](#) [1-2191595-2](#) [STC-CAT6-P0E-I](#) [SPD2-](#)
[350-1P0](#) [FLT-CP-350-ST](#) [TTC-6P-3-HF-F-M-12DC-UT-I](#) [SMTPA200](#) [2800989](#) [2906776](#) [2906810](#) [2906847](#) [2906848](#) [2906851](#)