

Marker carriers - CARRIER-EMP (49X15) - 0827452

Please be informed that the data shown in this PDF Document is generated from our Online Catalog. Please find the complete data in the user's documentation. Our General Terms of Use for Downloads are valid (<http://phoenixcontact.com/download>)

Marker carriers, black, unlabeled, mounting type: screw, rivet, lettering field size: 49 x 15 mm




Your advantages

- ✓ CARRIER-EMP ... marker carriers are used in conjunction with UC-EMP .../US-EMP ... snap-in labels
- ✓ They are used to clearly identify devices and control cabinets
- ✓ They can be mounted using screws or rivets

RoHS

Key Commercial Data

Packing unit	40 pc
Minimum order quantity	40 pc
GTIN	 4 046356 440769
GTIN	4046356440769

Technical data

Dimensions

Length (b)	17 mm
Width (a)	52 mm
Height (c)	6 mm

Ambient conditions

Ambient temperature (operation)	-40 °C ... 105 °C
---------------------------------	-------------------

General

Color	black
Components	free from silicone and halogen
Flammability rating according to UL 94	V2
Material	PA
Marking mounting type	screw, rivet

Marker carriers - CARRIER-EMP (49X15) - 0827452

Technical data

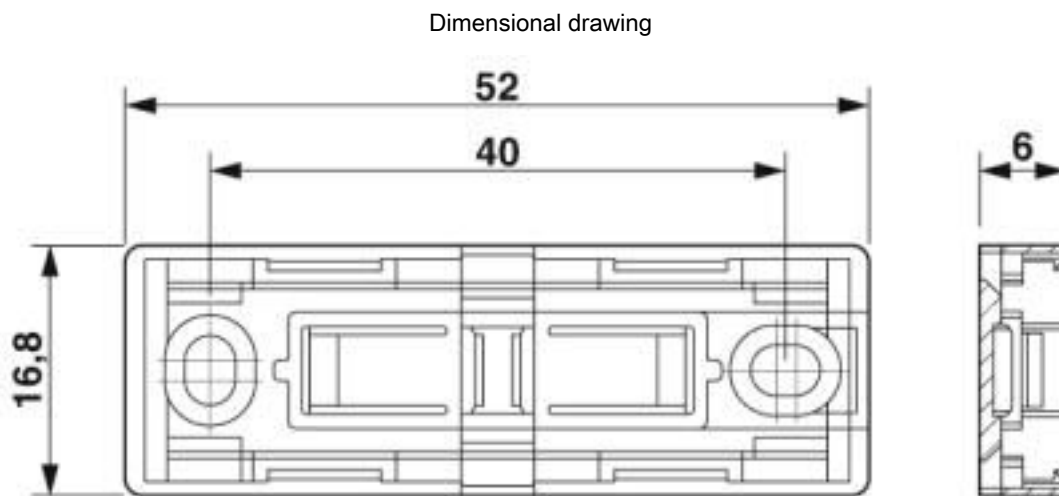
Standards and Regulations

Flammability rating according to UL 94	V2
--	----

Environmental Product Compliance

China RoHS	For details about hazardous substances go to tab "Downloads", Category "Manufacturer's declaration"
------------	---

Drawings



Classifications

eCl@ss

eCl@ss 10.0.1	27144075
eCl@ss 4.0	24190200
eCl@ss 4.1	24190200
eCl@ss 5.0	27141100
eCl@ss 5.1	27141100
eCl@ss 6.0	27149100
eCl@ss 7.0	27149153
eCl@ss 8.0	27149153
eCl@ss 9.0	27144075

ETIM

ETIM 2.0	EC000761
ETIM 3.0	EC000761
ETIM 4.0	EC000761
ETIM 5.0	EC002248
ETIM 6.0	EC002248
ETIM 7.0	EC002248

Marker carriers - CARRIER-EMP (49X15) - 0827452

Classifications

UNSPSC

UNSPSC 6.01	30211811
UNSPSC 7.0901	39121410
UNSPSC 11	39121410
UNSPSC 12.01	39121410
UNSPSC 13.2	39131504
UNSPSC 19.0	39131504

Accessories

Accessories

Device marking

Snap-in markers - UC-EMP (49X15) - 0825457



Snap-in markers, Sheet, white, unlabeled, can be labeled with: BLUEMARK ID COLOR, BLUEMARK ID, BLUEMARK CLED, PLOTMARK, CMS-P1-PLOTTER, mounting type: snapped into marker carrier, lettering field size: 49 x 15 mm, Number of individual labels: 4

Snap-in markers - UC-EMP (49X15) YE - 0825458



Snap-in markers, Sheet, yellow, unlabeled, can be labeled with: BLUEMARK ID COLOR, BLUEMARK ID, BLUEMARK CLED, PLOTMARK, CMS-P1-PLOTTER, mounting type: snapped into marker carrier, lettering field size: 49 x 15 mm, Number of individual labels: 4

Snap-in markers - UC-EMP (49X15) SR - 0825459



Snap-in markers, Sheet, silver, unlabeled, can be labeled with: BLUEMARK ID COLOR, BLUEMARK ID, BLUEMARK CLED, PLOTMARK, CMS-P1-PLOTTER, mounting type: snapped into marker carrier, lettering field size: 49 x 15 mm, Number of individual labels: 4

Labeled device marker

Snap-in markers - UC-EMP (49X15) CUS - 0827636



Snap-in markers, can be ordered: by sheet, white, labeled according to customer specifications, mounting type: snapped into marker carrier, lettering field size: 49 x 15 mm, Number of individual labels: 4

Marker carriers - CARRIER-EMP (49X15) - 0827452

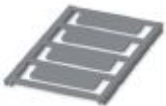
Accessories

Snap-in markers - UC-EMP (49X15) YE CUS - 0827645



Snap-in markers, can be ordered: by sheet, yellow, labeled according to customer specifications, mounting type: snapped into marker carrier, lettering field size: 49 x 15 mm, Number of individual labels: 4

Snap-in markers - UC-EMP (49X15) SR CUS - 0827656



Snap-in markers, can be ordered: by sheet, silver, labeled according to customer specifications, mounting type: snapped into marker carrier, lettering field size: 49 x 15 mm, Number of individual labels: 4

Phoenix Contact 2020 © - all rights reserved
<http://www.phoenixcontact.com>

PHOENIX CONTACT GmbH & Co. KG
Flachsmarktstr. 8
32825 Blomberg
Germany
Tel. +49 5235 300
Fax +49 5235 3 41200
<http://www.phoenixcontact.com>

X-ON Electronics

Largest Supplier of Electrical and Electronic Components

Click to view similar products for [Terminal Block Tools & Accessories](#) category:

Click to view products by [Phoenix Contact](#) manufacturer:

Other Similar products are found below :

[00171430102](#) [00171420102](#) [600HL](#) [600RJ-07](#) [600RJ-11](#) [600RJ-14](#) [600RJS-10](#) [600RJS-12](#) [600RJS-15](#) [600RJS-21](#) [601RJ-09](#) [602SP](#) [602Z](#)
[604J](#) [CSTSPC1-2](#) [7B941-7](#) [88943-2100](#) [QC102](#) [1437403-6](#) [1437403-9](#) [1437403-8](#) [1453128-1](#) [147832-1](#) [EC0037-000](#) [MT2/H--](#) [MT6/H-N](#)
[MT6/V-GRND](#) [MT8/H-51-60](#) [BC2-12](#) [BCC-1-8/10](#) [EP2.5/4UN/BG](#) [1707755](#) [1735590](#) [1755480](#) [1789281](#) [1840227](#) [1840230](#) [2-1437402-1](#)
[JA2-03](#) [JB1-03/J](#) [JB2-04](#) [JB2-05](#) [JB2-07](#) [JB2-09/J](#) [PARALLELJUMPERLINK](#) [JS601](#) [2204082](#) [2302463](#) [2305949](#) [8PCV-BUSHING](#)