

## Electronic device circuit breaker - ECP-E 8A - 0900812

Please be informed that the data shown in this PDF Document is generated from our Online Catalog. Please find the complete data in the user's documentation. Our General Terms of Use for Downloads are valid (<http://phoenixcontact.com/download>)




Electronic device circuit breaker, number of positions: 1, connection method: Screw connection, width: 12.5 mm, fuse type: electronic, fuse type: Automatic device, mounting type: on base element, Color: black

### Your advantages

- ✔ Can be plugged onto TMCP SOCKET M base
- ✔ Design width of just 12.5 mm
- ✔ The operating or error state is indicated by a multi-color LED as well as an integrated status output (12)



### Key Commercial Data

|              |   |
|--------------|---|
| Packing unit | 5 pc  |
| GTIN         | <br>4 046356 103756 |
| GTIN         | 4046356103756   |

### Technical data

#### General

|  |  |
|--|--|
| Installation instructions              | When mounted in rows without convection cooling, the nominal device current should only be led to a maximum of 80% due to the thermal effect during continuous operation (100% operating factor). Special precautionary measures must be taken in systems or machines, to prevent components from restarting (e.g., use of a safety PLC). Parallel connection of multiple circuit breakers is not permitted. |
| Mounting type                          | on base element  |
| Color                                  | black  |
| Number of positions                    | 1  |
| Overvoltage category                   | II   |
| Insulating material                    | PA66/6   |
| Flammability rating according to UL 94 | V0   |

#### Electrical data

|           |                  |
|-----------|------------------|
| Fuse      | electronic       |
| Fuse type | Automatic device |

# Electronic device circuit breaker - ECP-E 8A - 0900812

## Technical data

### Electrical data

|                                    |   |
|------------------------------------|---|
| Rated surge voltage                | 0.5 kV  |
| Operating voltage                  | 24 V DC   |
|                                    | 24 V DC (at 50 °C (UL 2367, UL 508, ANSI/ISA 12.12.01)) |
|                                    | 18 V DC ... 32 V DC                                     |
| Nominal current $I_N$              | 8 A   |
| Required backup fuse               | not required, integrated failsafe element               |
| Dielectric strength                | max. 32 V DC (Load circuit)                             |
| Degree of pollution                | 2   |
| Overvoltage category               | II  |
| Insulating material group          | I   |
| Switching capacity $I_{CN}$        | Active current limitation                               |
| Closed-circuit current range $I_0$ | typ. 25 mA $\pm$ 5 mA (When switched on)                |

### Dimensions

|                        |          |
|------------------------|----------|
| Height                 | 60 mm    |
| Width                  | 12.5 mm  |
| Depth                  | 70 mm    |
| Height NS 35/7,5       | 144 mm   |
| Height NS 35/15        | 151.5 mm |
| Complete module height | 115 mm   |
| Complete module width  | 38 mm    |
| Complete module depth  | 112.5 mm |

### Ambient conditions

|                                 |                                 |
|---------------------------------|---------------------------------|
| Degree of protection            | IP30 (Actuation area)           |
| Ambient temperature (operation) | 0 °C ... 50 °C (non-condensing) |

### Connection data

|                   |                  |
|-------------------|------------------|
| Connection method | Screw connection |
|-------------------|------------------|

### Standards and Regulations

|                          |                 |
|--------------------------|-----------------|
| Standards/specifications | UL 2367         |
|                          | UL 508          |
|                          | CSA 22.2 No. 14 |

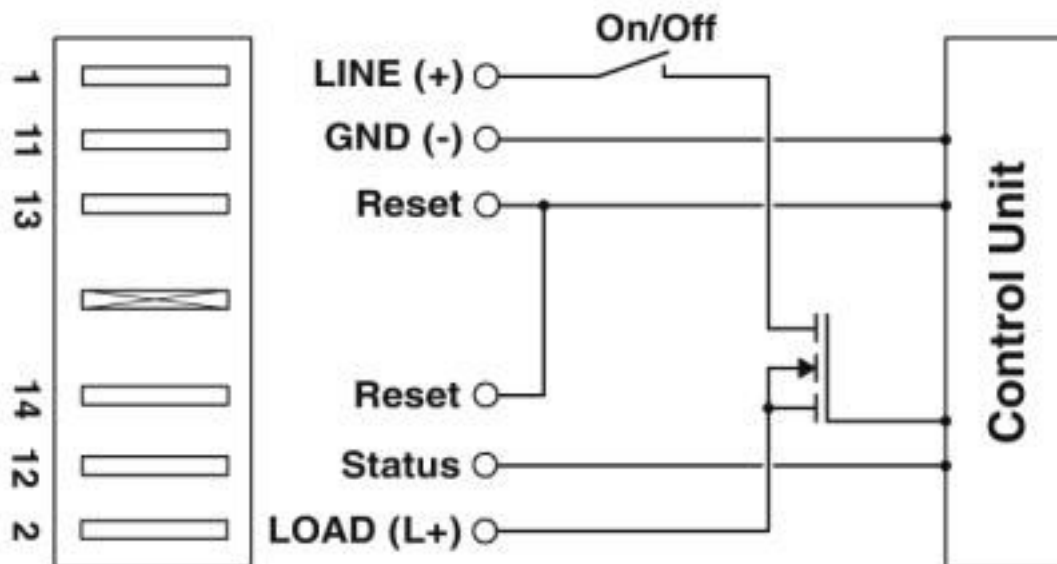
### Environmental Product Compliance

|            |   |
|------------|---|
| REACH SVHC | Lead 7439-92-1  |
| China RoHS | Environmentally Friendly Use Period = 50 years  |
|            | For details about hazardous substances go to tab "Downloads", Category "Manufacturer's declaration" |

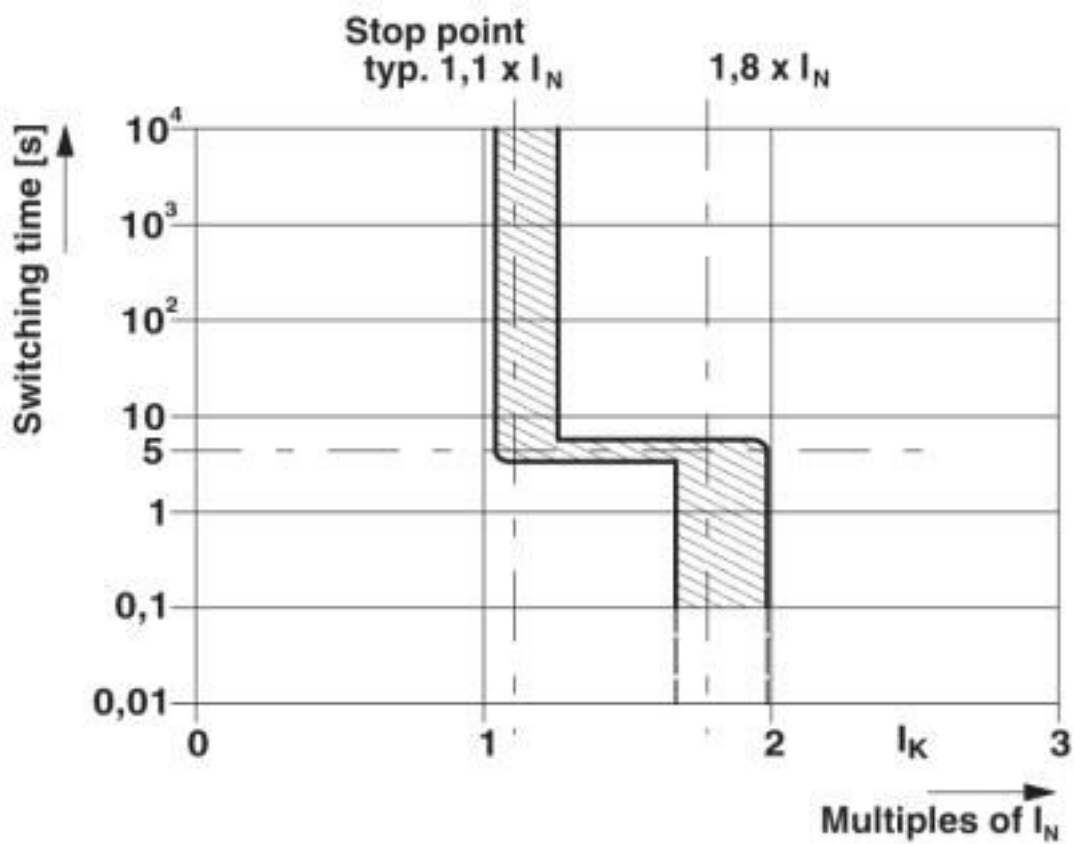
## Drawings

# Electronic device circuit breaker - ECP-E 8A - 0900812

Block diagram



Diagram



# Electronic device circuit breaker - ECP-E 8A - 0900812

## Classifications

### eCl@ss

|               |          |
|---------------|----------|
| eCl@ss 10.0.1 | 27140401 |
| eCl@ss 4.0    | 27141100 |
| eCl@ss 4.1    | 27141100 |
| eCl@ss 5.0    | 27141100 |
| eCl@ss 5.1    | 27141100 |
| eCl@ss 6.0    | 27141100 |
| eCl@ss 7.0    | 27141116 |
| eCl@ss 8.0    | 27141116 |
| eCl@ss 9.0    | 27141116 |

### ETIM

|          |          |
|----------|----------|
| ETIM 2.0 | EC000899 |
| ETIM 3.0 | EC000899 |
| ETIM 4.0 | EC000899 |
| ETIM 5.0 | EC000899 |
| ETIM 6.0 | EC000899 |
| ETIM 7.0 | EC000899 |

### UNSPSC

|               |          |
|---------------|----------|
| UNSPSC 6.01   | 30211812 |
| UNSPSC 7.0901 | 39121411 |
| UNSPSC 11     | 39121411 |
| UNSPSC 12.01  | 39121411 |
| UNSPSC 13.2   | 39121410 |
| UNSPSC 18.0   | 39121410 |
| UNSPSC 19.0   | 39121410 |
| UNSPSC 20.0   | 39121410 |
| UNSPSC 21.0   | 39121410 |

## Approvals

### Approvals

---

Approvals

UL Recognized

---

Ex Approvals

UL Recognized / CSA

---

### Approval details

# Electronic device circuit breaker - ECP-E 8A - 0900812

## Approvals

UL Recognized



<http://database.ul.com/cgi-bin/XYV/template/LISEXT/1FRAME/index.htm>

FILE E 317172

## Accessories

### Accessories

#### Marker pen

Marker pen - X-PEN 0,35 - 0811228



Marker pen without ink cartridge, for manual labeling of markers, labeling extremely wipe-proof, line thickness 0.35 mm

#### Terminal marking

Zack marker strip - ZB 6:UNBEDRUCKT - 1051003



Zack marker strip, Strip, white, unlabeled, can be labeled with: PLOTMARK, CMS-P1-PLOTTER, mounting type: snap into tall marker groove, for terminal block width: 6.2 mm, lettering field size: 6.15 x 10.5 mm, Number of individual labels: 10

Zack marker strip - ZB 6/WH-100:UNBEDRUCKT - 5060935



Zack marker strip, Strip, white, unlabeled, can be labeled with: PLOTMARK, CMS-P1-PLOTTER, mounting type: snap into tall marker groove, for terminal block width: 6.2 mm, lettering field size: 6.15 x 10.5 mm, Number of individual labels: 10

## Additional products

Box mounting base - TMCP SOCKET M - 0916589



Modular socket element, 2-position, for holding two circuit breakers, each with a single position

## Electronic device circuit breaker - ECP-E 8A - 0900812

### Accessories

End cover - TMCP CONNECT LR - 0916592



End cover, width: 6 mm, Color: black

---

Phoenix Contact 2020 © - all rights reserved  
<http://www.phoenixcontact.com>

PHOENIX CONTACT GmbH & Co. KG  
Flachsmarktstr. 8  
32825 Blomberg  
Germany  
Tel. +49 5235 300  
Fax +49 5235 3 41200  
<http://www.phoenixcontact.com>

## X-ON Electronics

Largest Supplier of Electrical and Electronic Components

*Click to view similar products for [Circuit Breakers](#) category:*

*Click to view products by [Phoenix Contact](#) manufacturer:*

Other Similar products are found below :

[LUGZX66-1-61-20.0-44](#) [M39019/01-201S](#) [M39019/01-221](#) [M39019/01-323](#) [M39019/01-333](#) [M39019/01-336](#) [M39019/02-248](#) [M39019/02-311](#) [M39019/02-316](#) [M39019/04-249S](#) [M39019/05-246S](#) [M39019/06-254S](#) [M55629/1-016](#) [M55629/1-018](#) [M55629/1-021](#) [M55629/1-033](#) [M55629/1-036](#) [M55629/1-046](#) [M55629/1-048](#) [M55629/1-058](#) [M55629/1-067](#) [M55629/1-070](#) [M55629/1-079](#) [M55629/1-084](#) [M55629/1-085](#) [M55629/1-101](#) [M55629/1-109](#) [M55629/11-102](#) [M55629/1-120](#) [M55629/12-045](#) [M55629/12-046](#) [M55629/1-330](#) [M55629/1-366](#) [M55629/1-387](#) [M55629/1-401](#) [M55629/1-450](#) [M55629/2-022](#) [M55629/2-030](#) [M55629/2-072](#) [M55629/2-082](#) [M55629/2-099](#) [M55629/2-101](#) [M55629/2-102](#) [M55629/21-BM-BM](#) [M55629/21-HM-HM](#) [M55629/21-NS-NS](#) [M55629/22-NR-NR-NR](#) [M55629/22-RS-RS-RS](#) [M55629/2-347](#) [M55629/2-401](#)