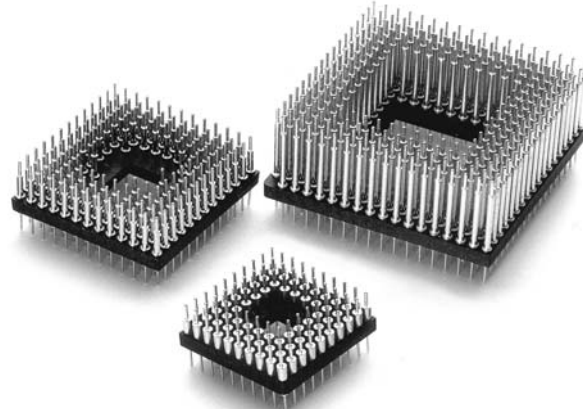
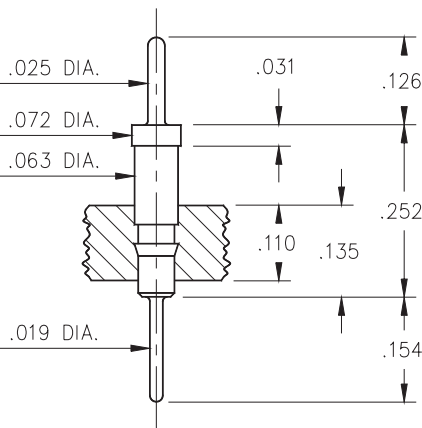


- Series 551 PGA Interconnect sockets are available in various lengths with .019" dia. pluggable solder tails at one end and .025" dia. pins at the other.*
- Hi-Temp PCT polyester insulator material suitable for all forms of soldering.

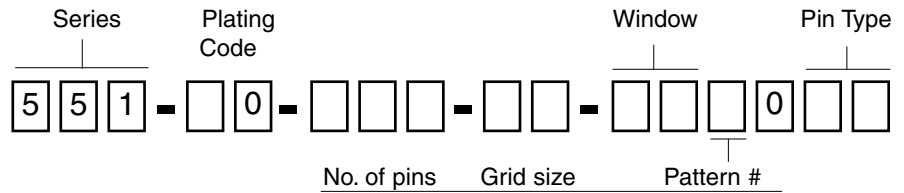


Ordering Information

HEADER PIN TYPE 03

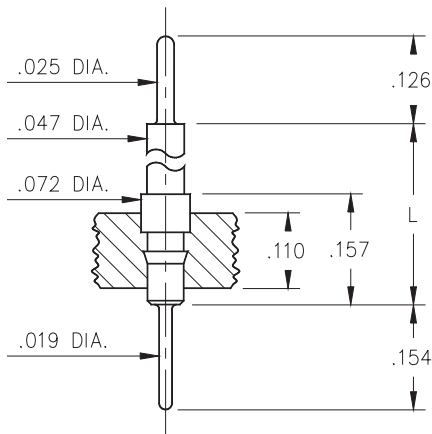


1. Select pin type for PGA header at left to determine 2-digit suffix designation, and enter under pin type.
2. Specify 2-digit plating code from chart at bottom of page.
3. Locate footprint pattern from pages 107 to 111, the middle 8 digits of the part number will be located under the pattern.



Determined from footprint pattern pages 107 to 111

HEADER PIN TYPE 04, 05



Pin Type

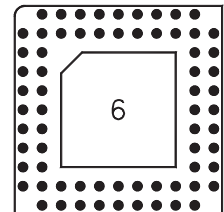
04	For L = .331"
05	For L = .606"

EXAMPLE OF COMPLETE PART NUMBER:

551-10-068-11-061004

This is a 68 pin (11x11 grid) insulator with a .6" square window and fitted with 551...004 header pins. Pins are gold plated.

*Many other printed circuit pins are available for use in addition to those listed above. See pages 170 to 173. Consult Mill-Max Applications Engineers to develop a part number for your specific requirement.



SPECIFY PLATING CODE XX=	10◇	90	40◇	
Pin Plating	10μ" Au	200μ" Sn/Pb	200μ" Sn	

X-ON Electronics

Largest Supplier of Electrical and Electronic Components

Click to view similar products for [Circuit Board Hardware - PCB category](#):

Click to view products by [Phoenix Contact manufacturer](#):

Other Similar products are found below :

[8919-0-00-15-00-00-03-0](#) [0135-0-15-01-30-27-04-0](#) [5970-1-15-01-32-14-04-0](#) [0149-0-15-15-30-27-04-0](#) [MBI 1 BLUE](#) [7305-0-15-15-47-14-10-0](#) [MLN 150/1 BLACK](#) [8579-0-15-80-11-27-10-0](#) [8579-1-15-15-11-27-10-0](#) [8830-0-15-01-22-14-10-0](#) [8836-0-00-21-00-00-03-0](#) [PRUEF 2 RED](#) [9976-0-00-00-00-00-03-0](#) [PW1616](#) [1215-3-05-00-00-00-01-0](#) [1231](#) [1303-0-15-15-47-14-04-0](#) [1404-3](#) [1404-4](#) [1406-4](#) [1407-3](#) [1406-3](#) [1407-4](#) [1408-3](#) [1424-4](#) [1427-3](#) [1419-4](#) [1426-4](#) [1548-103](#) [1938-0-00-00-00-00-03-0](#) [1942-0-00-00-00-00-03-0](#) [2101-3-00-44-00-00-07-0](#) [2108-2-00-50-00-00-07-0](#) [2109-2-00-44-00-00-07-0](#) [2110-2-00-44-00-00-07-0](#) [2111-2-00-00-00-00-07-0](#) [2113-4-00-44-00-00-07-0](#) [2301-3-00-44-00-00-07-0](#) [2308-1-00-50-00-00-07-0](#) [2313-2-00-00-00-00-07-0](#) [2315-2-01-44-00-00-07-0](#) [2333-1-00-50-00-00-07-0](#) [9000-0-00-00-00-00-03-0](#) [2506-2-00-50-00-00-07-0](#) [2507-2-01-44-00-00-07-0](#) [2508-2-00-44-00-00-07-0](#) [2561-2-00-44-00-00-07-0](#) [9220](#) [9234-0-15-15-30-14-10-0](#) [LAS S G BLACK](#)