

## Coupler connector - PRC 5-FC-FS6 12-16 HR - 1017629

Please be informed that the data shown in this PDF Document is generated from our Online Catalog. Please find the complete data in the user's documentation. Our General Terms of Use for Downloads are valid (<http://phoenixcontact.com/download>)




Circular connectors (cable-side), Range of articles: PRC, Coupler connector, type: Release with tool or by hand (see accessories), housing material: PPE, color: black, number of positions: 5, min. conductor cross section: 1.5 mm<sup>2</sup>, max. conductor cross section: 6 mm<sup>2</sup>, nom. voltage: 690 V AC, rated current: 35 A, Connection method: Screw connection, Type of contact: Socket, min. cable diameter: 12 mm, max. cable diameter: 16 mm. Variant for manual release

### Your advantages

- ✓ Up to 75% smaller in size than industrial connectors with the same rating
- ✓ Locking mechanism can be unlocked manually or using a tool
- ✓ Suitable for applications in atmospheres containing salt and in direct sunlight
- ✓ Ideal for indoor and outdoor use due to weatherproof materials



### Key Commercial Data

Packing unit	1 pc
GTIN	 4 055626 501062
GTIN	4055626501062

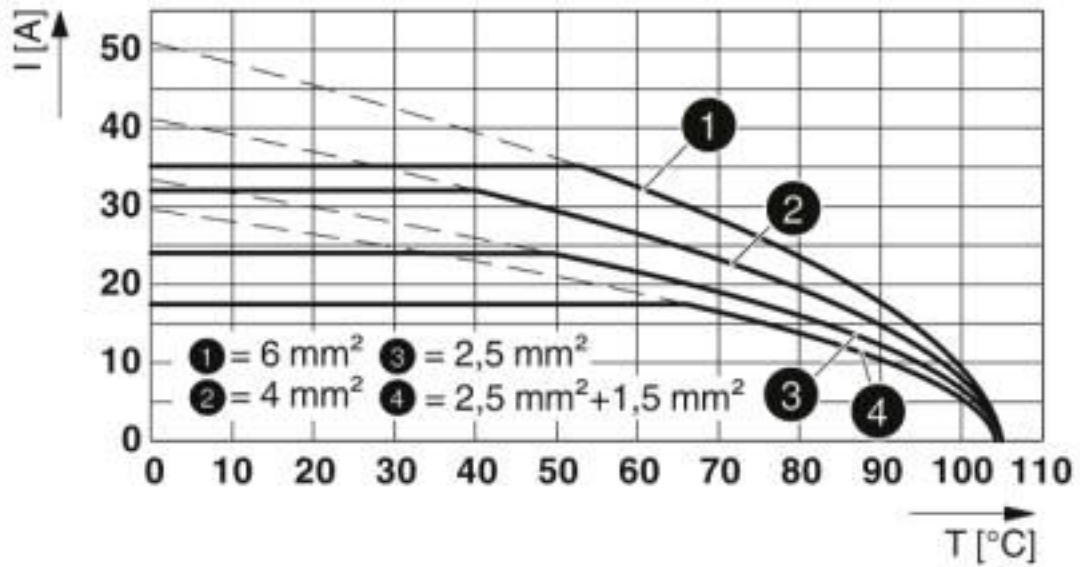
### Technical data

Product type	Circular connector (cable-side)
Approval	EAC
Cable diameter	12 mm ... 16 mm
Coding	AD
Number of positions	4+PE
Knurl material	PPE
Connection method	Screw connection
Degree of protection	IP66 / IP68 (2m / 24h) / IP69K

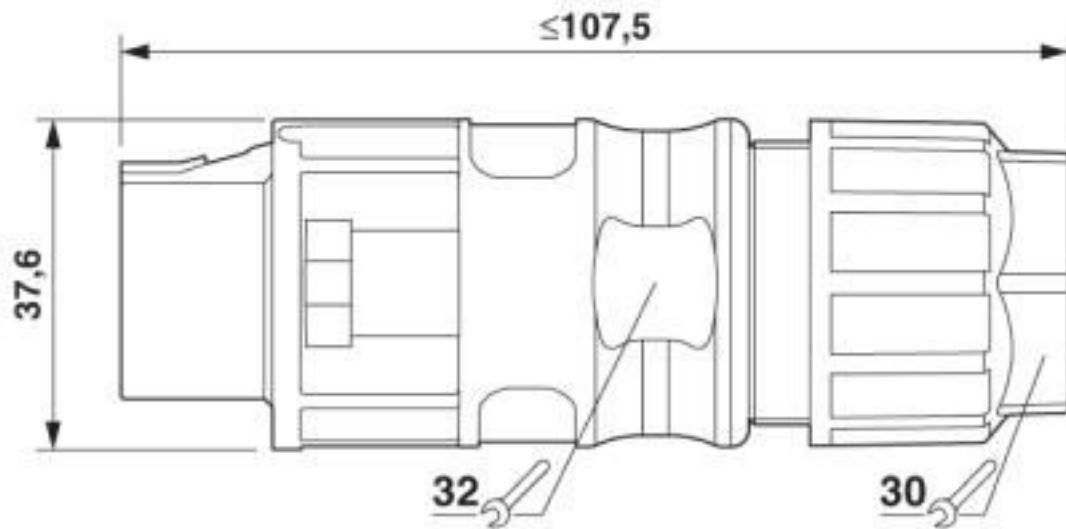
### Drawings

# Coupler connector - PRC 5-FC-FS6 12-16 HR - 1017629

Diagram

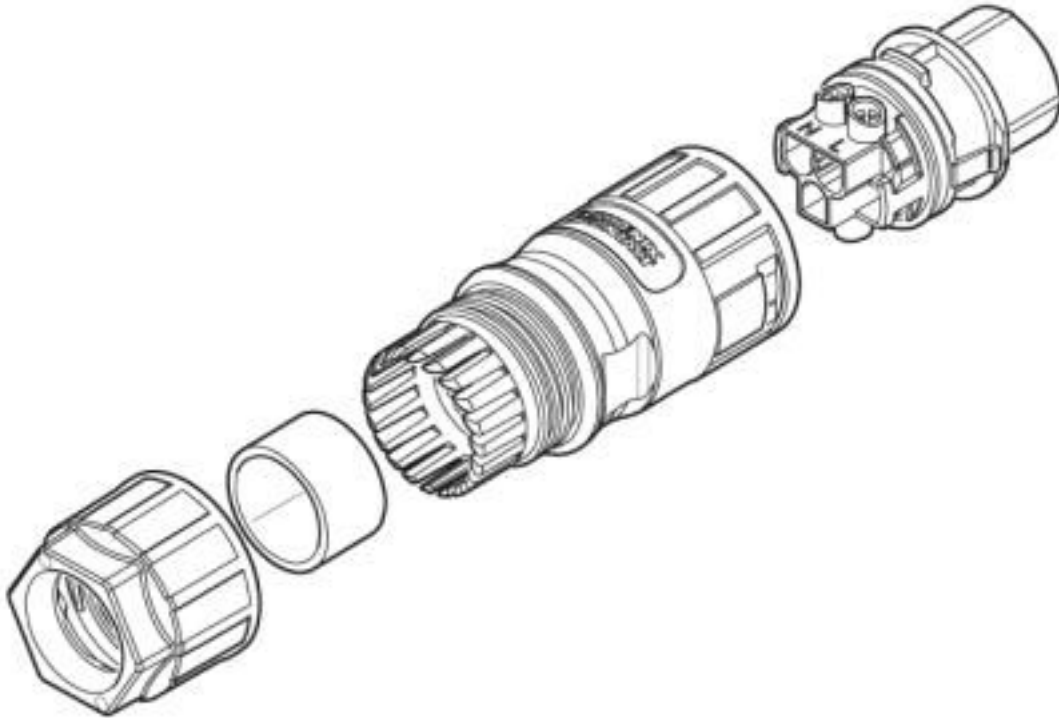


Dimensional drawing



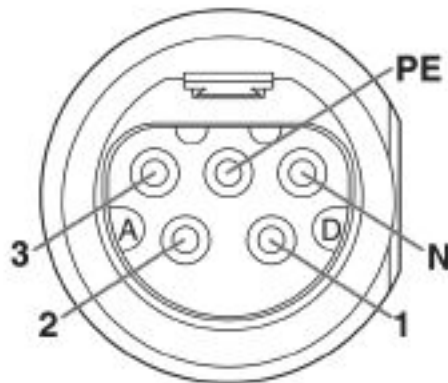
# Coupler connector - PRC 5-FC-FS6 12-16 HR - 1017629

Schematic diagram



Schematic design

Schematic diagram



Connector pin assignment

## Classifications

eCl@ss

eCl@ss 10.0.1	27440102
eCl@ss 8.0	27440102
eCl@ss 9.0	27440102

# Coupler connector - PRC 5-FC-FS6 12-16 HR - 1017629

## Classifications

### ETIM

ETIM 5.0	EC002061
ETIM 6.0	EC002061

## Approvals

### Approvals

---

### Approvals

EAC

---

### Ex Approvals

---

## Approval details

EAC		B.01687
-----	--	---------

## Accessories

### Accessories

#### Circular connector (cable-side)

#### Accessories - PRC FC RELEASE LATCH GY - 1002292



Circular connectors (cable-side), Range of articles: PRC, Accessories, housing material: PA 6.6-FR. If you are using the release latch, then the PRC approvals in accordance with IEC 61535 and 2PfG 1915 are not required

---

#### Accessories - PRC FC RELEASE LATCH GN - 1002290



Circular connectors (cable-side), Range of articles: PRC, Accessories, housing material: PA 6.6-FR. If you are using the release latch, then the PRC approvals in accordance with IEC 61535 and 2PfG 1915 are not required

---

## Coupler connector - PRC 5-FC-FS6 12-16 HR - 1017629

### Accessories

#### Accessories - PRC FC RELEASE LATCH BU - 1002293



Circular connectors (cable-side), Range of articles: PRC, Accessories, housing material: PA 6.6-FR. If you are using the release latch, then the PRC approvals in accordance with IEC 61535 and 2PFG 1915 are not required

---

#### Connector - PRC 5-FC-MS6 8-21 - 1014530



Circular connectors (cable-side), Range of articles: PRC, Connector, housing material: PPE, color: black, number of positions: 5, min. conductor cross section: 1.5 mm<sup>2</sup>, max. conductor cross section: 6 mm<sup>2</sup>, nom. voltage: 690 V AC, rated current: 35 A, Connection method: Screw connection, Type of contact: Pin, min. cable diameter: 8 mm, max. cable diameter: 21 mm

---

### Protective cover

#### Protective cap - PRC COVER F - 1409236



Protective cover, Range of articles: PRC, Protective cap, housing material: PPE, color: black. Suitable for couplings (FS)

---

### Screwdriver tools

#### Screwdriver - SZF 1-0,6X3,5 - 1204517



Actuation tool, for ST terminal blocks, also suitable for use as a bladed screwdriver, size: 0.6 x 3.5 x 100 mm, 2-component grip, with non-slip grip

---

#### Screwdriver - SZF 0-0,4X2,5 - 1204504



Actuation tool, for ST terminal blocks, also suitable for use as a bladed screwdriver, size: 0.4 x 2.5 x 75 mm, 2-component grip, with non-slip grip

## Coupler connector - PRC 5-FC-FS6 12-16 HR - 1017629

### Accessories

Philips screwdriver - SF-PH 1-80 S-VDE - 1212693



Screwdriver, crosshead PH (lasered), insulated, size: PH 1 x 80, 2-component handle, with non-slip grip

---

### Universal tools

Tool - UNIFOX-WRENCH - 1212835



Screw pliers, with fast adjustment, for wrench size 10 mm ... 36 mm, size: 260 mm

---

Phoenix Contact 2020 © - all rights reserved  
<http://www.phoenixcontact.com>

PHOENIX CONTACT GmbH & Co. KG  
Flachsmarktstr. 8  
32825 Blomberg  
Germany  
Tel. +49 5235 300  
Fax +49 5235 3 41200  
<http://www.phoenixcontact.com>

## X-ON Electronics

Largest Supplier of Electrical and Electronic Components

*Click to view similar products for [Solar Connectors / Photovoltaic Connectors](#) category:*

*Click to view products by [Phoenix Contact](#) manufacturer:*

Other Similar products are found below :

[1740699-7](#) [1971861-4](#) [1971131-4](#) [1971858-3](#) [1971861-3](#) [PV-090508-M10](#) [PV-CM-S 2 5-6 \(-\)](#) [2270184-3](#) [2270154-2](#) [2270226-4](#) [PV-090508-M06-N](#) [1987558-2](#) [PV-090506-F03](#) [UTXPM](#) [UTXPF](#) [UTXCMB6AM](#) [1627092](#) [1017635](#) [1017636](#) [1-2306314-1](#) [1-2306314-2](#) [1302440201](#) [2-1971862-2](#) [H4CMC6DM](#) [1705996](#) [1705995](#) [1971858-2](#) [5-2306317-2](#) [1704926](#) [H4CFC4DIS](#) [H4CMC4DC](#) [H4CFC4DC](#) [H4CMC4DM](#) [H4CFC4DM](#) [H4CFC6DM](#) [H4CFM2DI](#) [H4CFM6DI](#) [H4CMC2DI](#) [H4CMC8DM](#) [H4CMM6DI](#) [H4CMC4DMS](#) [H4CMC4DIS](#) [H4PF](#) [H4PM](#) [HGLUI](#) [PWJ-03BMMB-LL8001](#) [UTXCFA0AM](#) [UTXCFA4BMH](#) [UTXCMA0AM](#) [UTXCMA4AM](#)