

AC charging controller - EV-CC-AC1-M3-CBC-RCM-ETH - 1018701

Please be informed that the data shown in this PDF Document is generated from our Online Catalog. Please find the complete data in the user's documentation. Our General Terms of Use for Downloads are valid (<http://phoenixcontact.com/download>)

AC charging controller in accordance with IEC 61851-1, slave or stand-alone, Modbus/TCP via Ethernet, connection for RFID reader and energy meter via RS-485, DC residual current monitoring, connector release in the event of power failure




Product Description

Mode 3 controller for charging electric vehicles in accordance with IEC 61851-1 for charging case B and C with integrated DC residual current monitoring and Ethernet communication interface.



Key Commercial Data

Packing unit	1 pc
GTIN	 4 055626 503691
GTIN	4055626503691

Technical data

Product definition

Application	AC charging controller for private and commercial applications (EU/CN)
Standards/regulations	IEC 61851-1
Charging mode	Mode 3, Case B + C
Number of supported charging points	1
Locking release in the event of mains failure	Integrated release function of the locking actuator for disconnection of Infrastructure Plug and Infrastructure Socket Outlet
Conformance	CE-compliant

Dimensions

Height	90 mm
Width	162 mm
Depth	61.00 mm

Device supply

Supply voltage	230 V
Supply voltage range	100 V AC ... 240 V AC (nominal voltage range)

AC charging controller - EV-CC-AC1-M3-CBC-RCM-ETH - 1018701

Technical data

Device supply

Nominal power consumption	< 3 W (No-load)
Power consumption	< 10 W (maximum)
Frequency range	50 Hz ... 60 Hz

Measuring range of the residual current

Rated frequency f_n	≤ 2000 Hz
Nominal differential current	± 300 mA
Residual current $I_{\Delta n}$	30 mA (AC)
	6 mA (DC)
Tripping time for $I_{\Delta n}$	< 180 ms
Rated current I_n	32 A (Three-phase, 4x6 mm ²)
	48 A (Single-phase)
Response time for $2 \times I_{\Delta n}$	< 70 ms
Tripping time for $5 \times I_{\Delta n}$	< 20 ms

Measuring current transducer

Connection method	Connector
Diameter of measuring coil	15 mm

Switching outputs

Control of charging contactor	Relay output $C_{1,2}$
Minimum switching capacity	4000 VA
Maximum switching voltage	250 V AC (External supply)
Max. switching current	16 A
Control of locking actuator	Motor switching output
Maximum switching voltage	12 V (Internal supply)
Max. switching current	1 A (maximum)

Digital outputs

Control of additional functions	4 digital outputs
Connection technology	Screw connection
Maximum output voltage	30 V
Maximum output current	0.2 A (Total current for all outputs; internally supplied)
Maximum output current per channel	0.6 A (Per output; externally supplied)

Inputs

Number of digital inputs	5
Description of the input	Digital input
Nominal current I_N	≤ 4 mA
Nominal input voltage U_N	12 V
Input voltage range U1	0 V ... 3 V (Off)
Input voltage range U2	9 V ... 15 V (On)

RS-485 data interfaces

AC charging controller - EV-CC-AC1-M3-CBC-RCM-ETH - 1018701

Technical data

RS-485 data interfaces

Number of interfaces	1 (for energy measurement device and RFID reader)
Bus system	RS-485
Connection method	Screw connection
Number of supported devices	2
Transmission speed	4.8 kbps ... 115.2 kbps (adjustable)
Protocols supported	Modbus/RTU (Master)

Ethernet data interfaces

Number of interfaces	1
Connection method	RJ45 jack
Transmission speed	10/100 Mbps
Transmission length	100 m
Protocols supported	Modbus/TCP

Ambient conditions

Ambient temperature (operation)	-25 °C ... 60 °C
Ambient temperature (storage/transport)	-40 °C ... 85 °C
Max. altitude	< 2000 m
Permissible humidity (operation)	30 % ... 95 % (non-condensing)
Degree of protection	IP20
Degree of pollution	2 IEC 60664-1
Overvoltage category	II

Connection data

Connection method	Screw connection
Conductor cross section flexible	0.2 mm ² ... 2.5 mm ²
Conductor cross section solid	0.2 mm ² ... 4 mm ²
Conductor cross section AWG	24 ... 12
Connection method	Screw connection
Conductor cross section flexible	0.2 mm ² ... 1 mm ²
Conductor cross section solid	0.14 mm ² ... 1.5 mm ²
Conductor cross section AWG	26 ... 16

EMC data

Electromagnetic compatibility	Conformance with EMC Directive 2014/30/EU
Noise emission	EN 61000-6-3
Noise immunity	EN 61000-6-2
Low Voltage Directive	Conformance with Low Voltage Directive 2014/35/EC
Housing	DIN 43880

Mounting

Mounting position	any
-------------------	-----

Environmental Product Compliance

AC charging controller - EV-CC-AC1-M3-CBC-RCM-ETH - 1018701

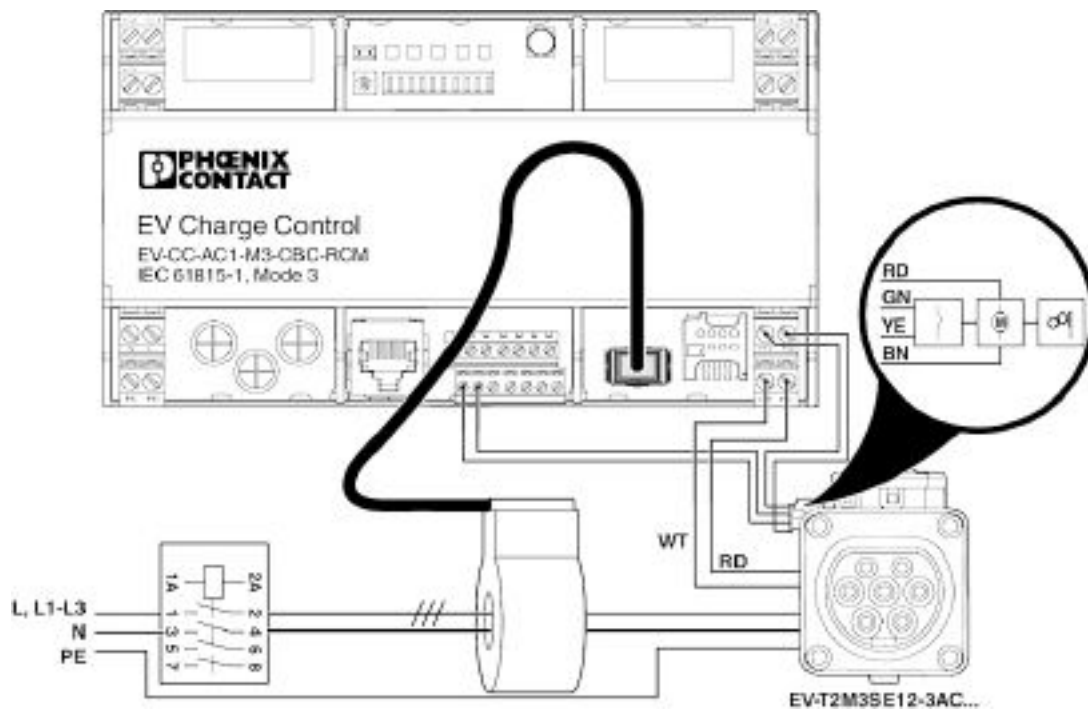
Technical data

Environmental Product Compliance

China RoHS	Environmentally Friendly Use Period = 50 years
	For details about hazardous substances go to tab "Downloads", Category "Manufacturer's declaration"

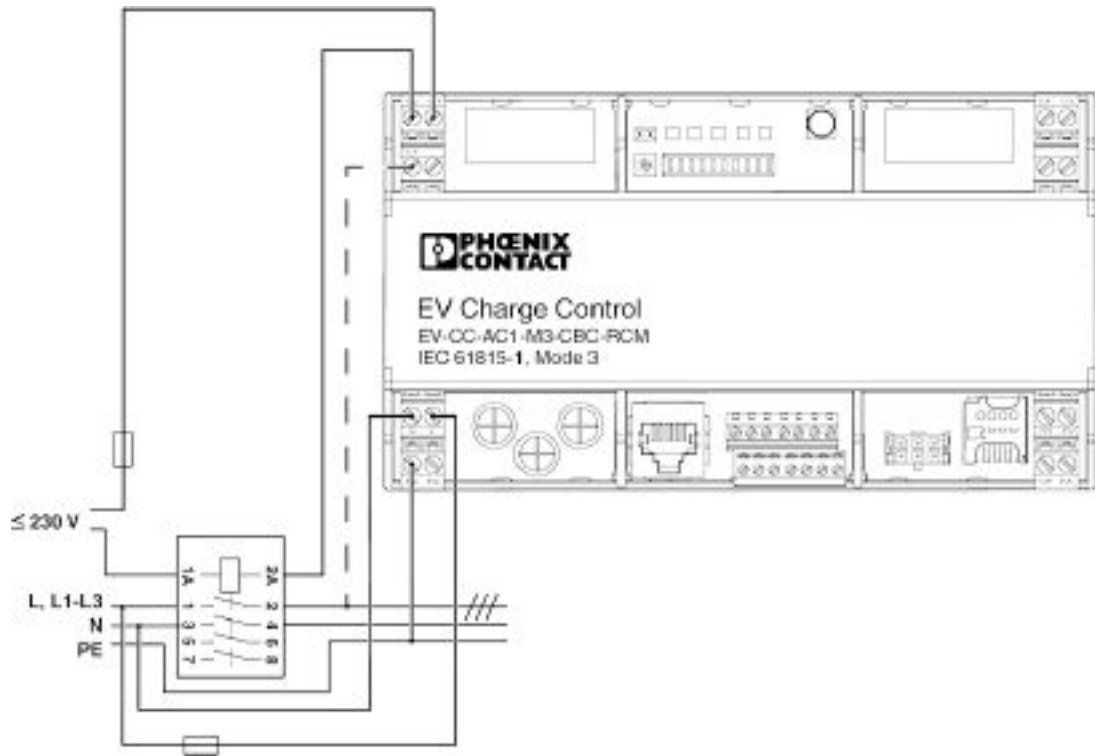
Drawings

Connection diagram

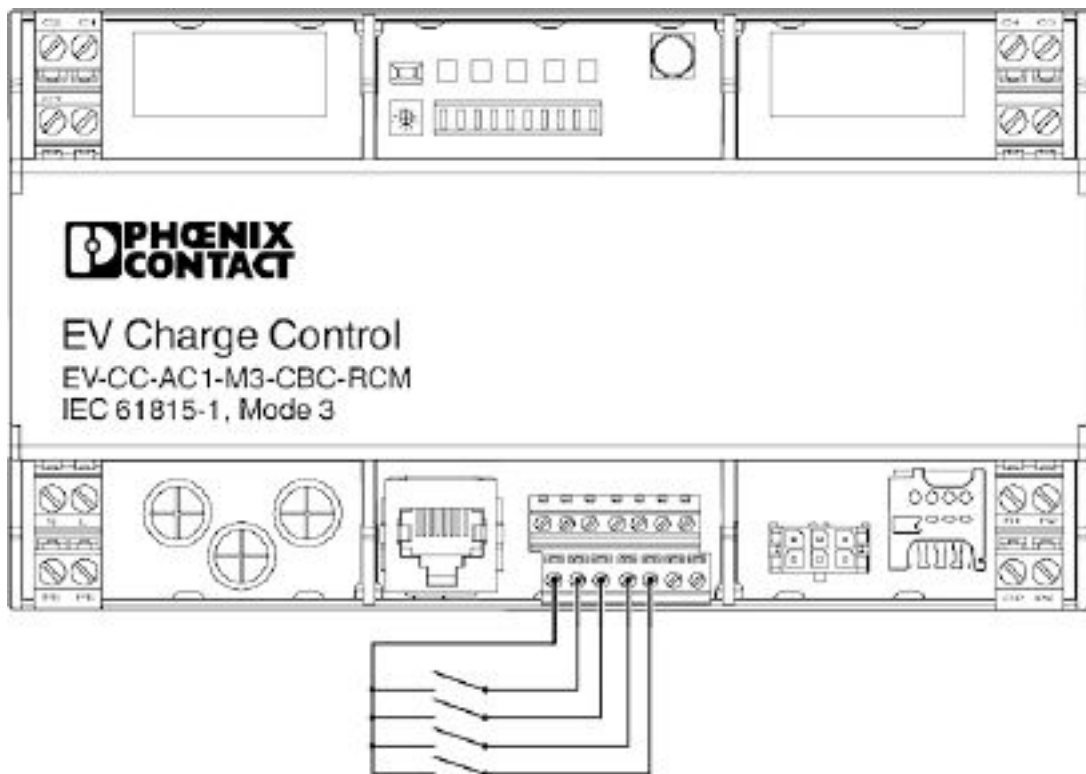


AC charging controller - EV-CC-AC1-M3-CBC-RCM-ETH - 1018701

Connection diagram

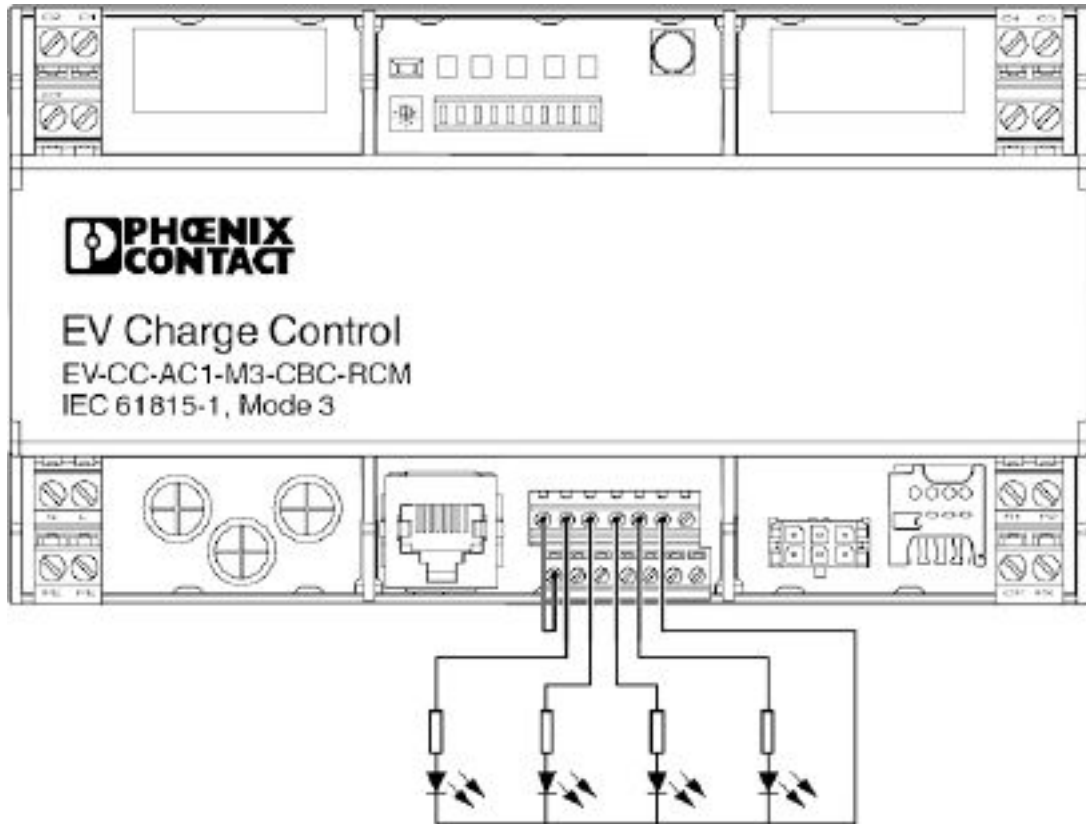


Connection diagram

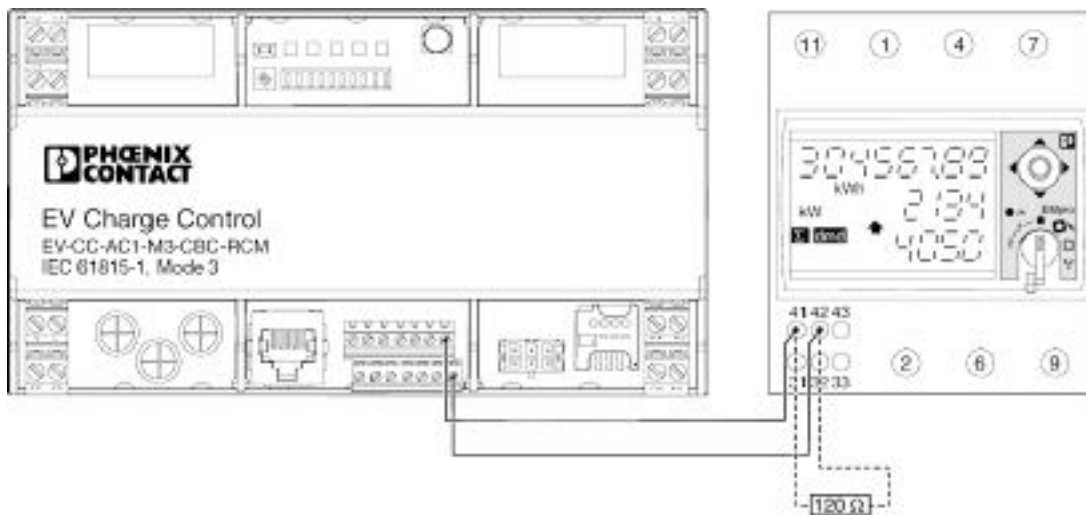


AC charging controller - EV-CC-AC1-M3-CBC-RCM-ETH - 1018701

Connection diagram

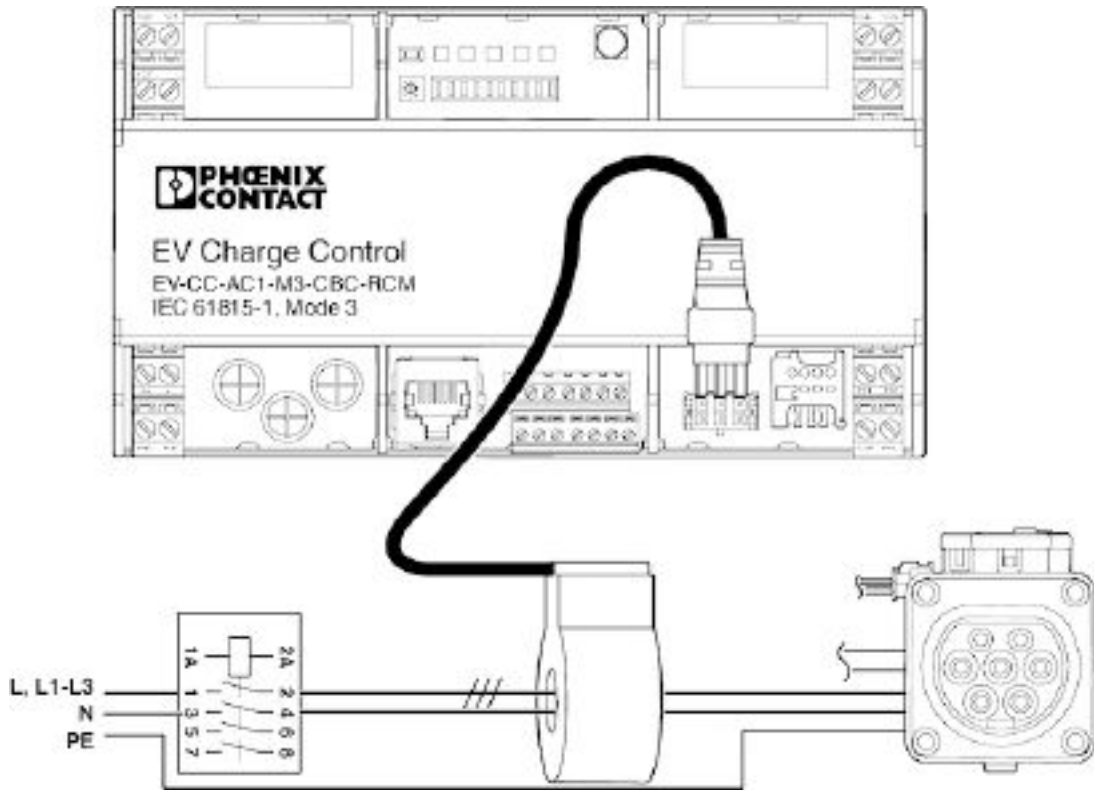


Connection diagram



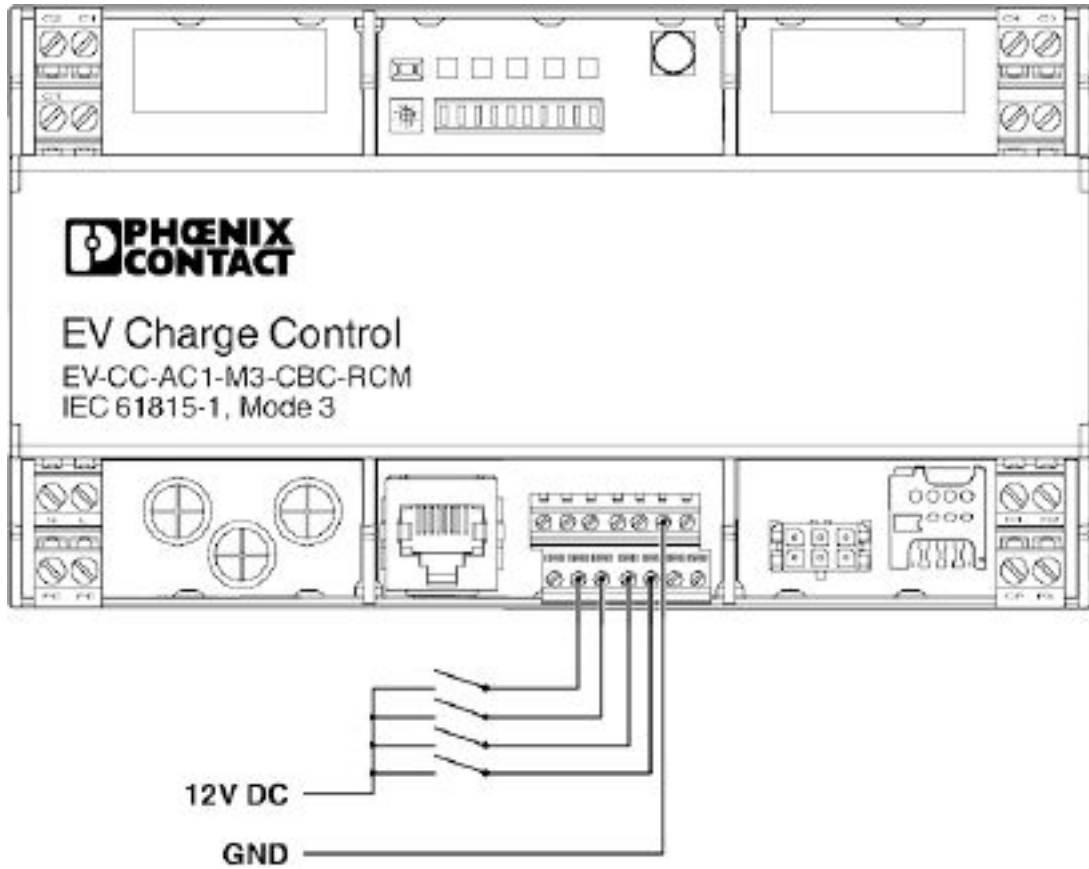
AC charging controller - EV-CC-AC1-M3-CBC-RCM-ETH - 1018701

Connection diagram



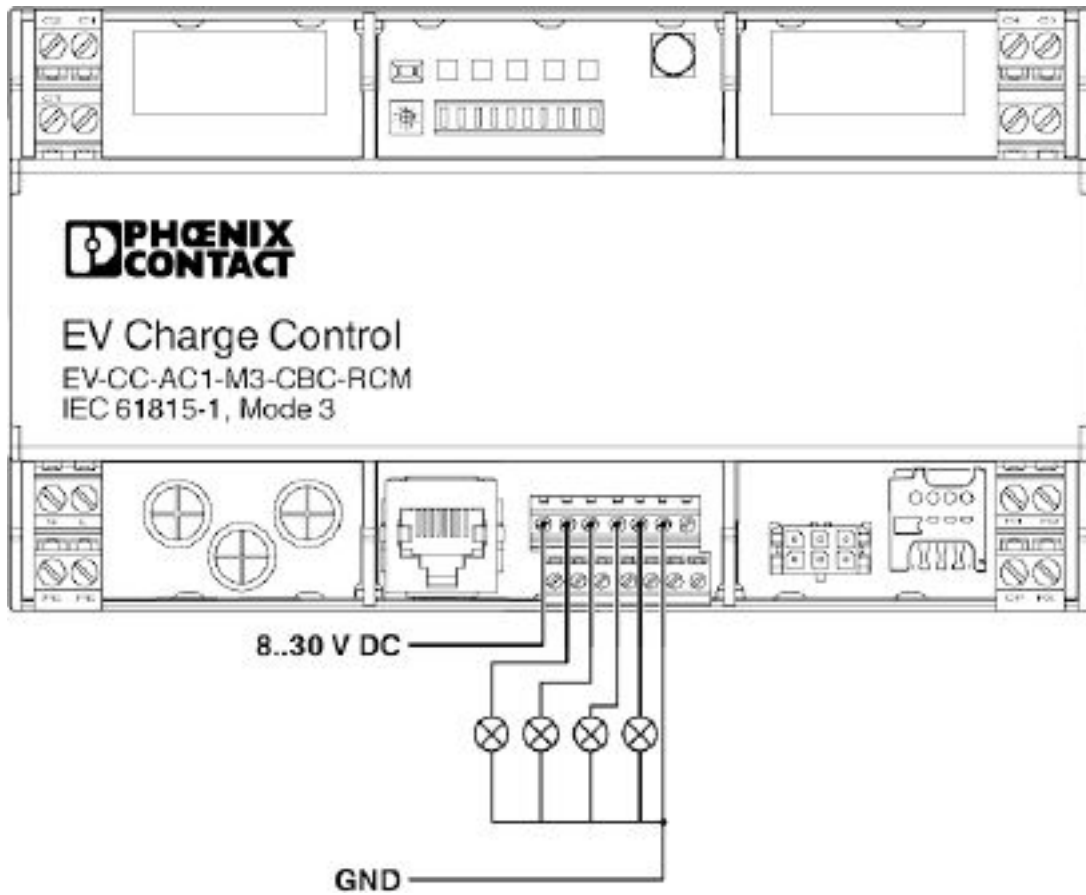
AC charging controller - EV-CC-AC1-M3-CBC-RCM-ETH - 1018701

Connection diagram

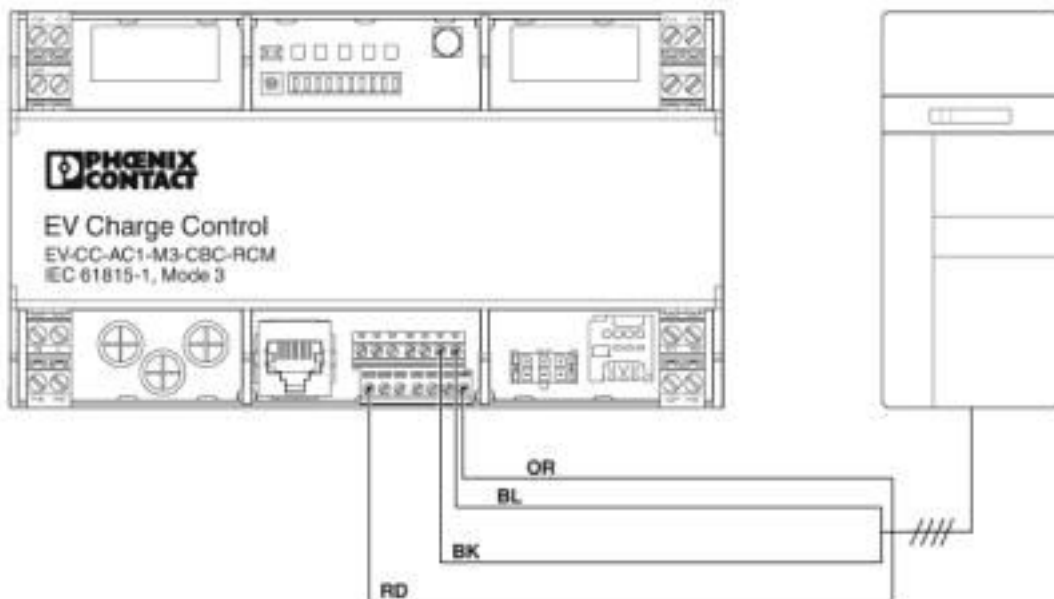


AC charging controller - EV-CC-AC1-M3-CBC-RCM-ETH - 1018701

Connection diagram

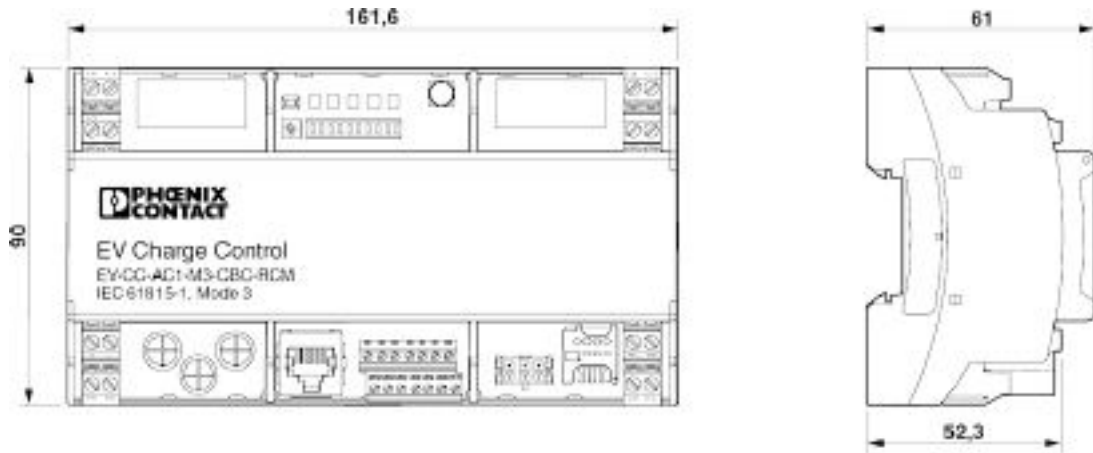


Connection diagram

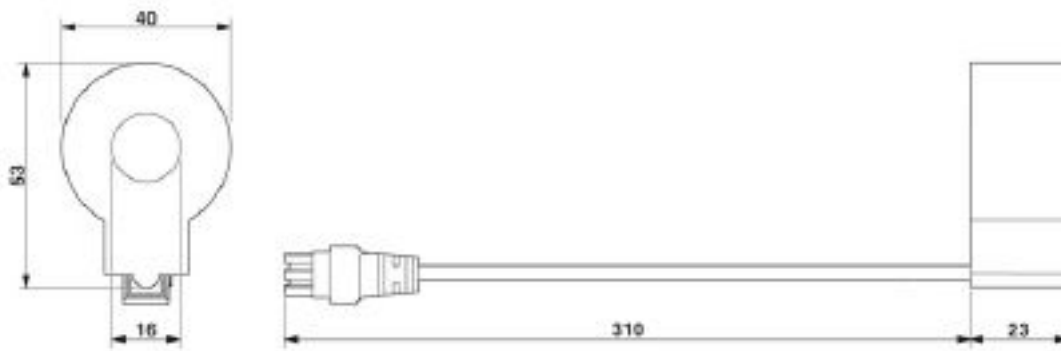


AC charging controller - EV-CC-AC1-M3-CBC-RCM-ETH - 1018701

Dimensional drawing

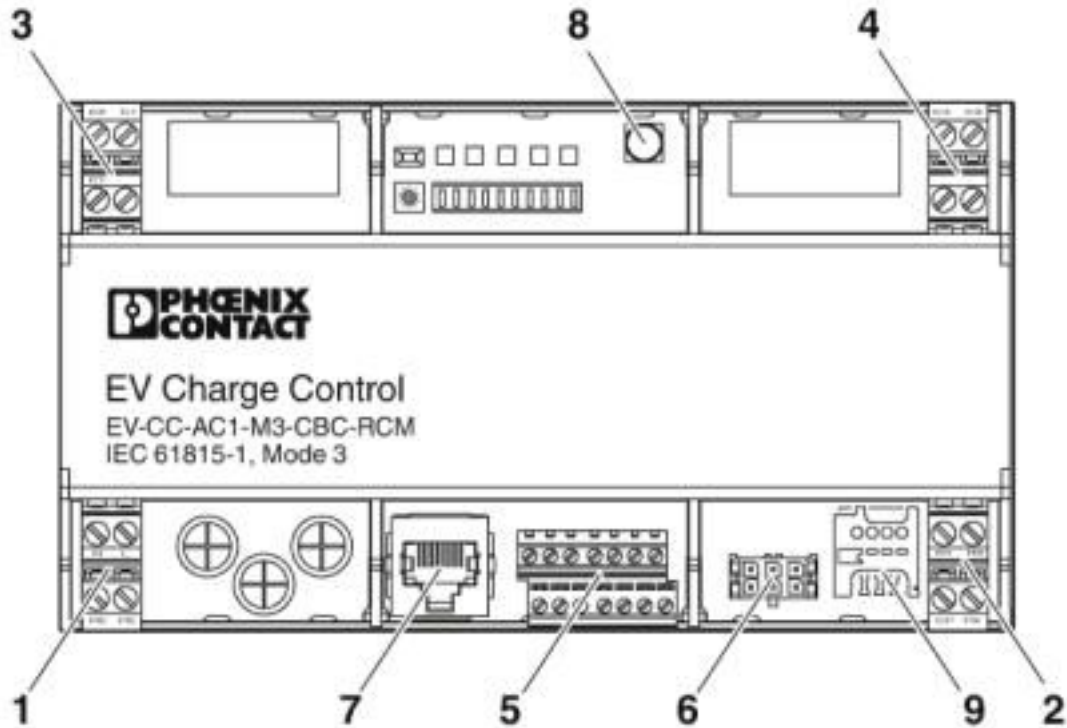


Dimensional drawing

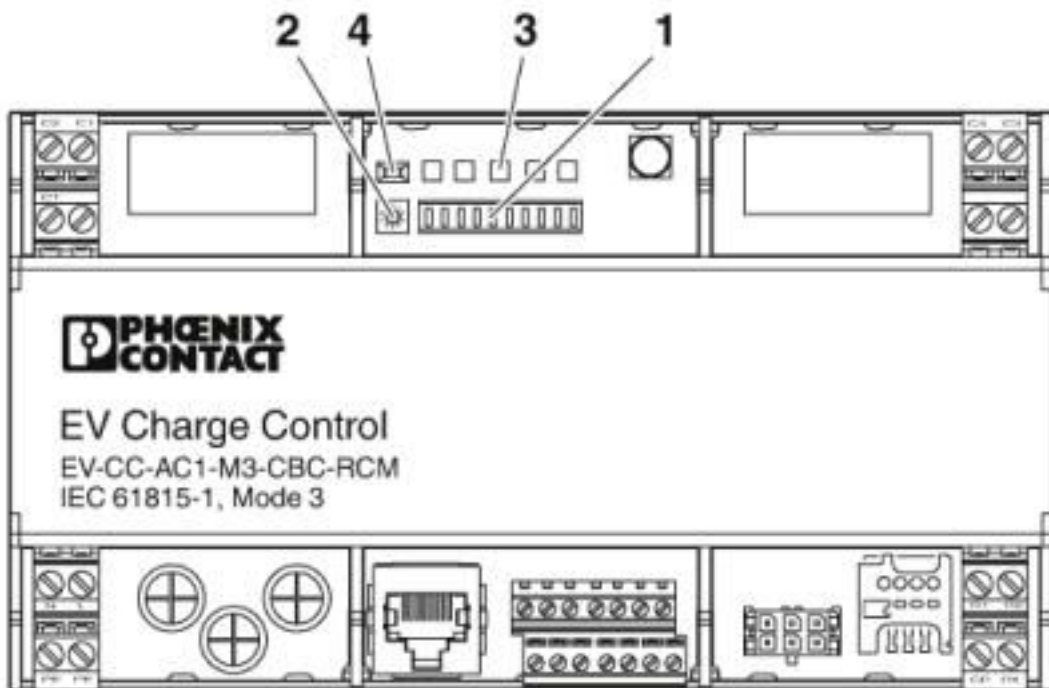


AC charging controller - EV-CC-AC1-M3-CBC-RCM-ETH - 1018701

Schematic diagram

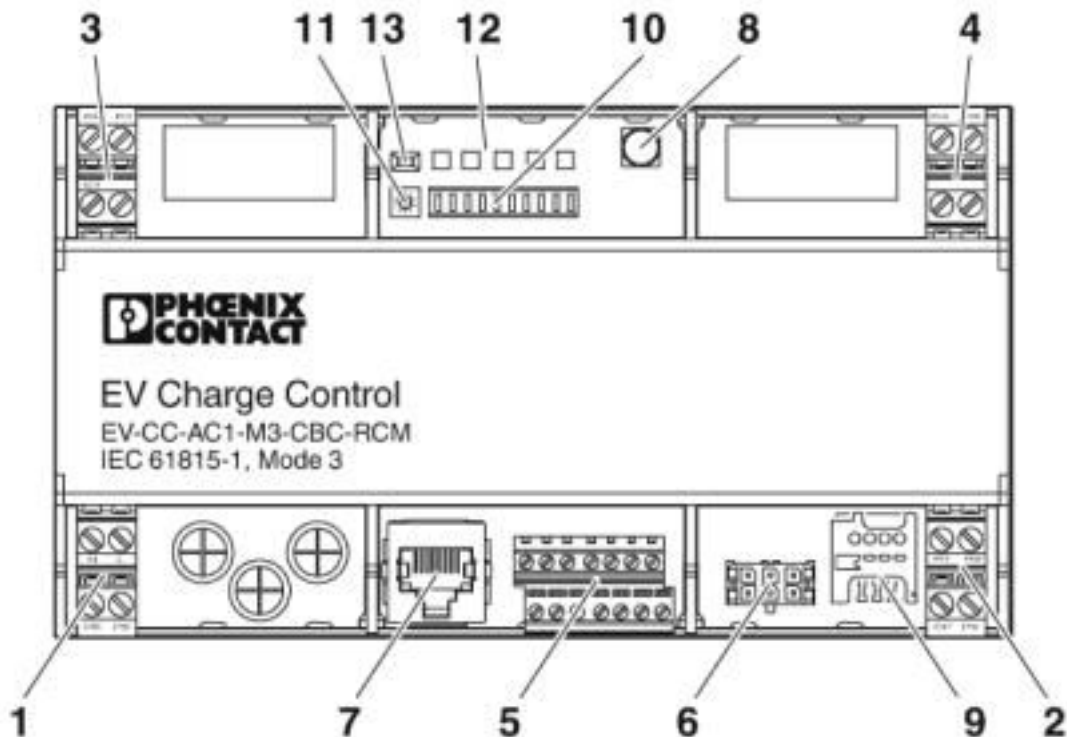


Schematic diagram

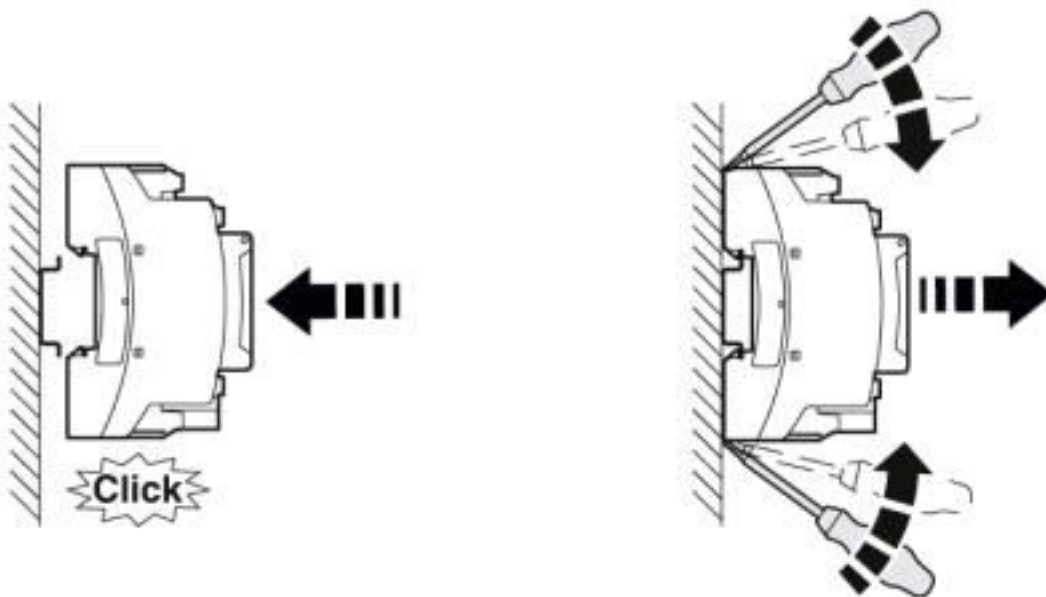


AC charging controller - EV-CC-AC1-M3-CBC-RCM-ETH - 1018701

Schematic diagram

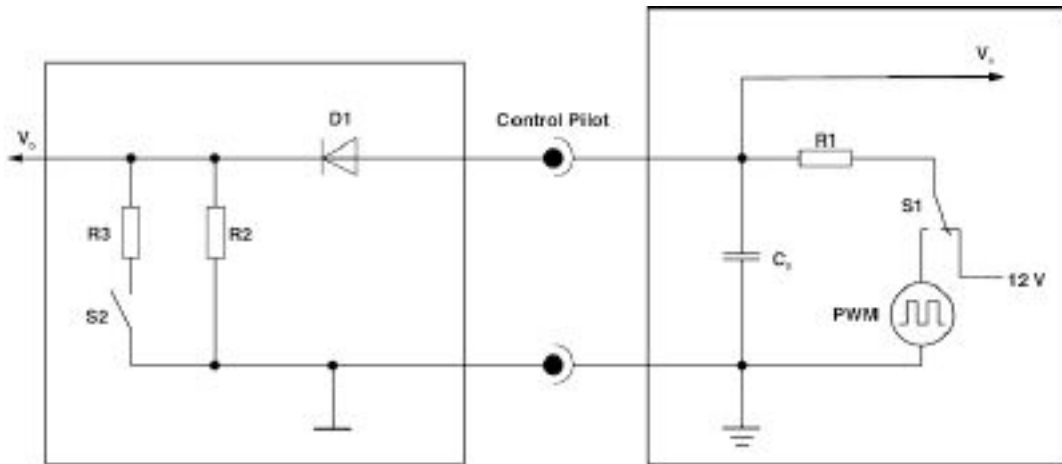


Schematic diagram



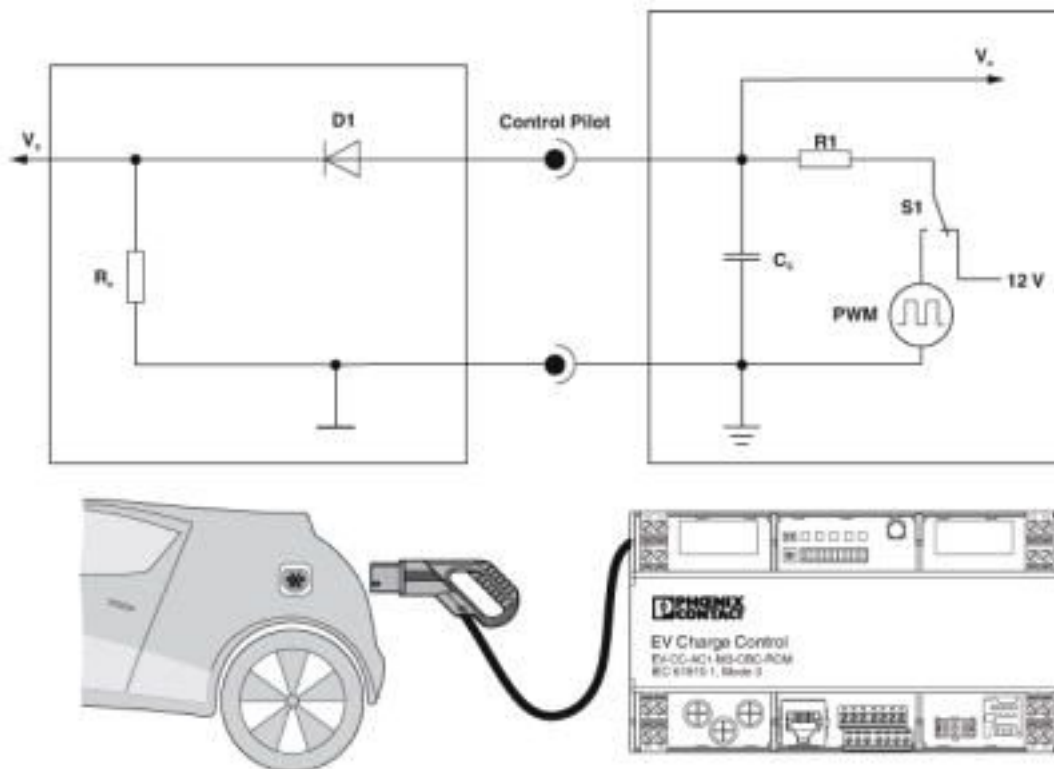
AC charging controller - EV-CC-AC1-M3-CBC-RCM-ETH - 1018701

Schematic diagram



AC charging controller - EV-CC-AC1-M3-CBC-RCM-ETH - 1018701

Schematic diagram



Classifications

eCl@ss

eCl@ss 10.0.1	27144703
eCl@ss 9.0	27144703

ETIM

ETIM 5.0	EC001321
ETIM 6.0	EC002889
ETIM 7.0	EC002889

Accessories

Accessories

Infrastructure socket outlet

Socket Outlet - EV-T2M3SE12-3AC32A-0,7M6,0E10 - 1405214



Socket Outlet, rear protective cover screw connection, For charging electric vehicles (EV) with alternating current (AC), Compatible with infrastructure charging plugs, Type 2, IEC 62196-2, 32 A / 480 V (AC), Single wires, length: 0.7 m, Locking actuator: 12 V, 4-position, Rear panel mounting, Generation 1, "PHOENIX CONTACT" logo

AC charging controller - EV-CC-AC1-M3-CBC-RCM-ETH - 1018701

Accessories

Socket Outlet - EV-T2M3SE12-3AC20A-0,7M2,5E10 - 1405213



Socket Outlet, rear protective cover screw connection, For charging electric vehicles (EV) with alternating current (AC), Compatible with infrastructure charging plugs, Type 2, IEC 62196-2, 20 A / 480 V (AC), Single wires, length: 0.7 m, Locking actuator: 12 V, 4-position, Rear panel mounting, Generation 1, "PHOENIX CONTACT" logo

Power meter

Measuring instrument - EEM-EM357 - 2908588



Three-phase power meter for active power measurement with direct measurement in networks of up to 500 V / 80 A, with S0 output, with digital input and RS-485 interface, certified in accordance with the MID directive

Protective cover for Socket Outlet

Protective covers - EV-T2SC - 1405217



Protective covers, self-closing, rear protective cover screw connection, For attaching to infrastructure charging sockets, Type 2, IEC 62196-2, Front mounting, M5 thread, Generation 1, Embossed PHOENIX CONTACT logo

Phoenix Contact 2020 © - all rights reserved
<http://www.phoenixcontact.com>

PHOENIX CONTACT GmbH & Co. KG
Flachsmarktstr. 8
32825 Blomberg
Germany
Tel. +49 5235 300
Fax +49 5235 3 41200
<http://www.phoenixcontact.com>

X-ON Electronics

Largest Supplier of Electrical and Electronic Components

Click to view similar products for [Specialised Cables](#) category:

Click to view products by [Phoenix Contact](#) manufacturer:

Other Similar products are found below :

[603PT6](#) [603SS6L](#) [604PT6](#) [604SS6](#) [706000D02F200](#) [910640](#) [1200740077](#) [1200740114](#) [AC172](#) [ACL-SSI-4](#) [R88ACAKA0015SRE](#)
[R88ACAWL005SDE](#) [R88ACRGD0R3C](#) [1300150047](#) [1300660036](#) [1302262116](#) [1300150149](#) [1300220020](#) [1300220104](#) [1300220119](#)
[1301240492](#) [1301810221](#) [1365323-1](#) [1613055](#) [176P12](#) [1971465-2](#) [20240400003](#) [20240400013](#) [2085828-1](#) [20886510030](#) [2-22733-8](#) [22733-](#)
[8](#) [CB-5PSBC-RS](#) [CB-704EC-RS](#) [CB-BATACC-RS](#) [CB-JST3PSW-RS](#) [CB-M12COM-R10](#) [25AC84](#) [25AK84X](#) [25AU25](#) [25FN82](#) [3011-03](#)
[AC118](#) [ACL-HHS-1M\(CAT5E\)](#) [SSL009PC2DC012N](#) [FC2A-KC6C](#) [2085828-2](#) [20886510150](#) [CCS-FCB-5](#) [CCSFCBF2](#)