

Splice box - FOC-FDX20-PP-LCD6-OM2-PT9 - 1019713

Please be informed that the data shown in this PDF Document is generated from our Online Catalog. Please find the complete data in the user's documentation. Our General Terms of Use for Downloads are valid (<http://phoenixcontact.com/download>)



DIN rail splice box, fully mounted ready to splice, for 6x LC duplex (OM2)

DIN rail splice box 6x LC duplex, including pigtailed and splice holder

Product Description

DIN rail splice box of the FDX 20 series, equipped with 6x LC duplex couplings, fully assembled and ready for splicing, with pre-assembled 900 µm pigtailed (OM2) and splice holder (for separately sold shrink and crimp splice protection) on a patented splice comb made from powder-coated sheet steel. Cable insertion via cable gland either at top or bottom. Housing (2-part) prepared for DIN rail mounting through rear-side adapter (this can also be mounted on the side).

Scope of supply:


DIN rail housing with integrated splice comb (mounted), equipped with 6x LC duplex couplings, 12x pigtail (OM2), 1x splice holder, 1x cable gland (M20x1.5)

Your advantages

- ✓ Intuitive front panel operation and clear control cabinet layout thanks to uniform design
- ✓ Flexible DIN rail mounting possible in three positioning directions
- ✓ Perfectly sized and patented pigtail tray, for convenient splicing and compact bending radii.
- ✓ 6 duplex front connections and compact dimensions, for more space in the control cabinet
- ✓ Suitable for industrial applications
- ✓ Reduced installation time, thanks to pre-assembled, ready-to-splice design
- ✓ Assignment color-coded in accordance with IEC 60794-2
- ✓ Continuously reliable data connection, thanks to extensively tested components
- ✓ 3-stage strain relief
- ✓ easy to install
- ✓ including cable gland
- ✓ Small bunched wire tube is guided directly on the splice holder



Key Commercial Data

Packing unit	1 pc
GTIN	 4 0 5 5 6 2 6 6 9 4 8 2 5
GTIN	4055626694825

Splice box - FOC-FDX20-PP-LCD6-OM2-PT9 - 1019713

Technical data

Mechanical characteristics

Connection method	Cable gland M20
Number of slots	12
Minimum external conductor diameter	6 mm
Maximum external conductor diameter	12 mm
Cable outlet	above and below
No. of cable outlets	2
Weight	716.2 g
Type	Rail-mountable module
Flammability rating according to UL 94	V0

Ambient conditions

Ambient temperature (operation)	-25 °C ... 70 °C
Ambient temperature (assembly)	0 °C ... 50 °C
Ambient temperature (storage/transport)	-40 °C ... 85 °C
Degree of protection	IP20 (according to IEC 60529)

Material data

Housing material	Sheet steel
Housing surface material	Powder-coated, gray
Width	40.2 mm
Height	130.2 mm
Depth	112.3 mm
Mounting type	DIN rail mounting
Assembly instructions	Option for flexible replugging of DIN rail adapter

Line characteristics

Type of cable	For all common cable types
Cable type	Multimode fiberglass
Cable structure	Semi-loose compact wires (STB)
Wire colors	Color coded
Transmission medium	FO
Number of fibers	12
Fiber type	Multi-mode 50/125 µm fiberglass
Fiber	GOF
Attenuation	≤ 0.3 dB (at 850 nm / 1300 nm)

Standards and Regulations

Flame resistance	yes
Resistance to UV radiation	yes
Halogen-free	yes
Flammability rating according to UL 94	V0

Splice box - FOC-FDX20-PP-LCD6-OM2-PT9 - 1019713

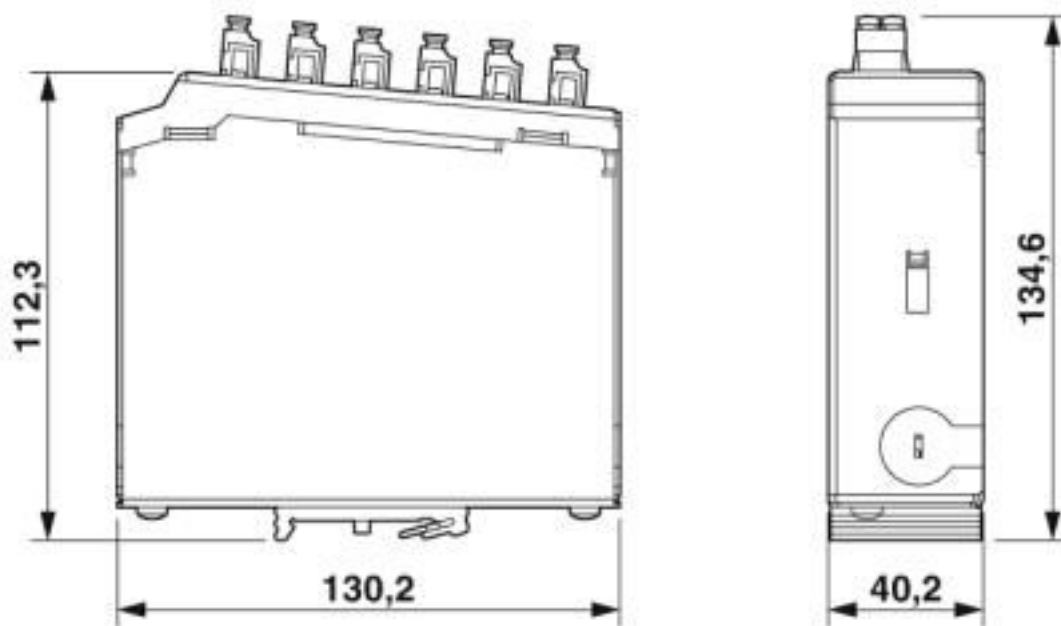
Technical data

Standards and Regulations

Assignment plan	yes International
-----------------	-------------------

Drawings

Dimensional drawing



DIN rail splice box 6x LC duplex OM2, fully mounted ready to splice

Classifications

eCl@ss

eCl@ss 10.0.1	19170113
eCl@ss 6.0	19069200
eCl@ss 7.0	19069290
eCl@ss 8.0	19069290
eCl@ss 9.0	19069290

ETIM

ETIM 5.0	EC002610
ETIM 6.0	EC002610
ETIM 7.0	EC002610

Approvals

Approvals

Splice box - FOC-FDX20-PP-LCD6-OM2-PT9 - 1019713

Approvals

Approvals

EAC

Ex Approvals

Approval details

EAC		B.01687
-----	--	---------

Accessories

Accessories

Data cable preassembled

FO patch cable - FOC-LC:PA-LC:PA-OM2:D01/1 - 1115633



Multi-mode OM2 duplex jumper, LC-LC, UPC polishing, length 1 m

Fiber optic cable - FOC-LC:PA-ST:PA-OM2:D01/1 - 1115588



Multi-mode OM2 duplex jumper, LC-ST, UPC polishing, length 1 m

FO patch cable - FOC-LC:PA-SC:PA-OM2:D01/1 - 1115607



Splice box - FOC-FDX20-PP-LCD6-OM2-PT9 - 1019713

Accessories

FO patch cable - FOC-LC:PA-LC:PA-OM2:D01/2 - 1115634



Multi-mode OM2 duplex jumper, LC-LC, UPC polishing, length 2 m

Fiber optic cable - FOC-LC:PA-ST:PA-OM2:D01/2 - 1115587



Multi-mode OM2 duplex jumper, LC-ST, UPC polishing, length 2 m

FO patch cable - FOC-LC:PA-SC:PA-OM2:D01/2 - 1115605



FO patch cable - FOC-LC:PA-LC:PA-OM2:D01/5 - 1115637



Multi-mode OM2 duplex jumper, LC-LC, UPC polishing, length 5 m

FO patch cable - FOC-LC:PA-ST:PA-OM2:D01/5 - 1115584



Multi-mode OM2 duplex jumper, LC-ST, UPC polishing, length 5 m

Splice box - FOC-FDX20-PP-LCD6-OM2-PT9 - 1019713

Accessories

FO patch cable - FOC-LC:PA-SC:PA-OM2:D01/5 - 1115603



Necessary add-on products

Shrink splice protection - FOC-SHRINKSPLICE-PROTECT - 1019676



Shrink splice protection, type: Straight, degree of protection: IP20, cable outlet: above and below, color: transparent

Crimp splice protection - FOC-CRIMPSPLICE-PROTECT - 1019678



Crimp splice protection, type: Straight, degree of protection: IP20, connection method: Crimp, cable outlet: above and below, color: Bare metallic

Additional products

FO patch cable - FOC-LC:A-LC:A-GZ01/... - 1405688



Assembled FO cable, zip cord cable, multi-mode fiberglass 50/125 μm , OM2, plug: LC/LC, degree of protection: IP20, for installation in cable ducts or control cabinets

FO patch cable - FOC-ST:A-LC:A-GZ01/... - 1405706



Assembled FO cable, zip cord cable, multi-mode fiberglass 50/125 μm , OM2, plug: B-FOC (ST)/LC, degree of protection: IP20, for installation in cable ducts or control cabinets

Splice box - FOC-FDX20-PP-LCD6-OM2-PT9 - 1019713

Accessories

FO patch cable - FOC-SC:A-LC:A-GZ01/... - 1405691



Assembled FO cable, zip cord cable, multi-mode fiberglass 50/125 µm, OM2, plug: SC duplex/LC, degree of protection: IP20, for installation in cable ducts or control cabinets

FO patch cable - FOC-LC:A-SJ:A-GZ01/... - 1405694



Assembled FO cable, zip cord cable, multi-mode fiberglass 50/125 µm, OM2, plug: LC/SC-RJ, degree of protection: IP20, for installation in cable ducts or control cabinets

FO accessories - FOC-TOOL-FERRULECLEANER-1.25 - 1407032



Ferrule cleaner, 1.25 mm, for LC, approx. 500 cleaning cycles

FO accessories - FOC-TOOL-STICKCLEANER-1.25 - 1407000



Stick cleaner for couplings and plug end faces, 1.25 mm (LC), Pcs. / Pkt.: 10

Screw plug - A-INSP-M20-68N-P-LG - 1424519



Screw plug, material: PA, connecting thread: M20 x 1.5, color: lightgrey RAL 7035, with O-ring

Splice box - FOC-FDX20-PP-LCD6-OM2-PT9 - 1019713

Accessories

Nut - WP-CN PA M20 - 3241134



Nut, height: 6 mm, color: gray

Philips screwdriver - SF-PH 1-80 - 1212559



Screwdriver, PH crosshead (lasered), uninsulated, size: PH 1 x 80, 2-component grip, with non-slip grip

Screwdriver - SF-SL 1,0X5,5-150 - 1212552



Screwdriver, bladed (lasered), size: 1.0 x 5.5 x 150 mm, 2-component grip, with non-slip grip

End clamp - E/NS 35 N - 0800886



End clamp, width: 9.5 mm, color: gray

DIN rail adapter - NBC-PP-G1PGY - 1041740



DIN rail adapter, type: Headers with shielding, degree of protection: IP20, material: PC-GF10, without assembled modules

Splice box - FOC-FDX20-PP-LCD6-OM2-PT9 - 1019713

Accessories

DIN rail adapter - FL DIN RA - 2891053



The FL DIN RA is installed in a standard, 19-inch rack (EIA-310-D, IEC 60297-3-100) to allow DIN rail mounted equipment to be rack mounted.

DIN rail adapter - NBC-PP-G1PGY - 1041740



DIN rail adapter, type: Headers with shielding, degree of protection: IP20, material: PC-GF10, without assembled modules

Cable gland - G-INS-M20-S68N-PNES-GY - 1411125



Cable gland, cable gland material: PA, external cable diameter 6 mm ... 12 mm, shielding: no, connecting thread: M20 x 1.5, color: silver-gray RAL 7001

Marking foil for zack marker strip - TML (104X10)R - 0801835



Marking foil for zack marker strip, Roll, white, unlabeled, can be labeled with: THERMOMARK ROLL 2.0, THERMOMARK ROLL, THERMOMARK ROLL X1, THERMOMARK ROLLMASTER 300/600, THERMOMARK X1.2, mounting type: adhesive, for terminal block width: 104 mm, lettering field size: 104 x 10 mm, Number of individual labels: 1500

Marking foil for zack marker strip - TML (EX9,5)R TR - 0816634



Marking foil for zack marker strip, Roll, transparent, unlabeled, can be labeled with: THERMOMARK ROLL 2.0, THERMOMARK ROLL, THERMOMARK ROLL X1, THERMOMARK ROLLMASTER 300/600, THERMOMARK X1.2, mounting type: adhesive, for terminal block width: 30000 mm, lettering field size: 40000 x 9.5 mm, Number of individual labels: 4000

Splice box - FOC-FDX20-PP-LCD6-OM2-PT9 - 1019713

Accessories

Safety label with special adhesive - EMLS (70X32)R SR - 0800346



Safety label with special adhesive, Roll, silver, unlabeled, can be labeled with: THERMOMARK ROLLMASTER 300/600, THERMOMARK X1.2, THERMOMARK ROLL X1, THERMOMARK ROLL 2.0, THERMOMARK ROLL, mounting type: adhesive, lettering field size: 70 x 32 mm, Number of individual labels: 500

Label for rough surfaces - EML-HA (76X51)R - 0830609



Label for rough surfaces, Roll, white, unlabeled, can be labeled with: THERMOMARK ROLLMASTER 300/600, THERMOMARK X1.2, THERMOMARK ROLL X1, THERMOMARK ROLL 2.0, THERMOMARK ROLL, mounting type: adhesive, lettering field size: 76 x 51 mm, Number of individual labels: 1000

Warning label - PML-W100 (25X25)R - 0830429



Warning label, Roll, yellow/black, unlabeled, can be labeled with: THERMOMARK ROLLMASTER 300/600, THERMOMARK X1.2, THERMOMARK ROLL X1, THERMOMARK ROLL 2.0, THERMOMARK ROLL, mounting type: adhesive, diameter: 0 mm, lettering field size: 25 x 25 mm, Number of individual labels: 500

Device marker - LS-EMLP (60X15) WH - 0831696



Device marker, Sheet, white, unlabeled, can be labeled with: TOPMARK NEO, TOPMARK LASER, mounting type: adhesive, lettering field size: 60 x 15 mm, Number of individual labels: 20

Cable marker - WML-RFID/HF 14 (25X19)R - 0803386



Cable marker label with RFID-HF transponder, roll, white, unmarked, can be printed with: THERMOMARK ROLL, THERMOMARK ROLL X1, THERMOMARK X1.2, mounting type: adhesive, min. cable diameter: 9 mm, max. cable diameter: 14 mm, lettering field size: 25 x 19 mm

Phoenix Contact 2020 © - all rights reserved
<http://www.phoenixcontact.com>

PHOENIX CONTACT GmbH & Co. KG
Flachmarktstr. 8
32825 Blomberg
Germany
Tel. +49 5235 300
Fax +49 5235 3 41200
<http://www.phoenixcontact.com>

X-ON Electronics

Largest Supplier of Electrical and Electronic Components

Click to view similar products for [Fibre Optic Transmitters, Receivers, Transceivers](#) category:

Click to view products by [Phoenix Contact](#) manufacturer:

Other Similar products are found below :

[HFBR-1532ETZ](#) [STV.2413-574-00262](#) [TRPRG1VA1C000E2G](#) [TOTX1350\(V,F\)](#) [FTLX3813M349](#) [SCN-1428SC](#) [FWLF-1519-7D-49](#) [LTK-ST11MB](#) [HFD8003-002/XBA](#) [HFD3020-500-ABA](#) [FTLF1429P3BCVA](#) [S6846](#) [SCN-2638SC](#) [FTL410QE4N](#) [FTLC9555FEPM](#) [TQS-QG4H9-J83](#) [SCN-1570SC](#) [SCN-1601SC](#) [SCN-1338SC](#) [SFPPT-SR3-01](#) [HFD8003-500-XBA](#) [SCN-1383SC](#) [FTLC9555SEPM](#) [2333569-1](#) [LNK-ST11HB-R6](#) [FTLX6875MCC](#) [FTL4C1QL3L](#) [FTL4C1QE3L](#) [FTL4C1QL3C](#) [1019682](#) [1019683](#) [1019705](#) [HFBR-1415Z](#) [OPF693-2](#) [FTL414QB2C](#) [AFBR-5803ATQZ](#) [AFBR-5803ATZ](#) [PLR135/T9](#) [TGW-Q14BB-FCQ](#) [AFBR-5803AZ](#) [TQS-Q1LH8-XCA03](#) [TQS-Q1LH8-XCA05](#) [TQS-Q1LH8-XCA10](#) [TQS-Q1LH9-2CA](#) [HFBR-1414Z](#) [HFBR-1527Z](#) [HFBR-1528Z](#) [HFBR-2406Z](#) [HFBR-2505AZ](#) [HFBR-2532Z](#)