

Data connector - SACC-P12MSX-8CT-CL SH - 1021783

Please be informed that the data shown in this PDF Document is generated from our Online Catalog. Please find the complete data in the user's documentation. Our General Terms of Use for Downloads are valid (<http://phoenixcontact.com/download>)




Data connector, Ethernet/PROFINET CAT6_A (10 Gbps), 8-position, shielded, Plug straight M12 Push-Pull, Coding: X, Crimp connection, knurl material: PA 6.6, external cable diameter 6.5 mm ... 10 mm, without crimp contacts

Your advantages

- ✓ Plug and Produce: convenient and secure connection, thanks to the manufacturer-independent locking system
- ✓ Extremely compact, thanks to the small wiring space and high contact density
- ✓ Clear feedback: the connector springs back when not snapped into place correctly
- ✓ Safely shielded: reliable shield connection even under extreme mechanical strain
- ✓ Robust connection: suitable for railway applications with high shock and vibration loads
- ✓ Automated processing possible



Key Commercial Data

Packing unit	1 pc
GTIN	 4 0 5 5 6 2 6 5 1 4 6 2 8
GTIN	4055626514628

Technical data

Dimensions

Wrench size, union nut	15 mm
Diameter housing	22 mm
Length	44 mm
External cable diameter	6.5 mm ... 10 mm
Stripping length of the sheath	20 mm
Stripping length of the individual wire	4 mm +0,5 mm

Ambient conditions

Ambient temperature (operation)	-40 °C ... 85 °C (Plug / socket)
Degree of protection	IP65
	IP67

Data connector - SACC-P12MSX-8CT-CL SH - 1021783

Technical data

Ambient conditions

	IP68
	IP69K

General

Note	This product corresponds to the PROFINET Cabling and Interconnection Technology Guideline for PROFINET regulations, version 2.00, order no: 2.252, Chapter 8.2 Connectors for Outside Environment (Balanced cabling)
	NOTE: Observe the permissible bending radii when laying conductors, since the degree of protection may be put in jeopardy if the bending forces are too high. Alleviate mechanical loads upstream of the connector, e.g. by using cable ties.
Rated current at 40°C	0.5 A
Rated voltage	48 V AC 60 V DC
Number of positions	8
Insulation resistance	≥ 100 Ω
Coding	X - data
Standards/regulations	M12 connector IEC 61076-2-109 In line with Shock, vibration EN 50155:2001
Signal type/category	Ethernet/PROFINET CAT6 _A (IEC 11801), 10 Gbps
Status display	No
Overvoltage category	II
Degree of pollution	3
Connection method	Crimp connection
Conductor cross section	0.14 mm ² ... 0.34 mm ² (flexible)
Conductor cross section AWG	26 ... 22 (flexible)
Wire diameter incl. insulation	≤ 1.6 mm
Insertion/withdrawal cycles	≥ 100
Torque	4 Nm (Pressure nut with coupling sleeve)
Transmission characteristics (category)	CAT6 _A

Material

Flammability rating according to UL 94	V0
Contact carrier material	PA 6.6
Material of grip body	Zinc die-cast, nickel-plated
Material, knurls	PA 6.6
Sealing material	NBR
Standards/regulations	PA 6.6: Fire protection in rail vehicles - requirement sets R22, R23, R24, and R26 acc. to DIN EN 45545-2 (Risk level HL1 - HL3)

Standards and Regulations

Standards/specifications	M12 connector IEC 61076-2-109 In line with Shock, vibration EN 50155:2001
Flammability rating according to UL 94	V0

Data connector - SACC-P12MSX-8CT-CL SH - 1021783

Technical data

Standards and Regulations

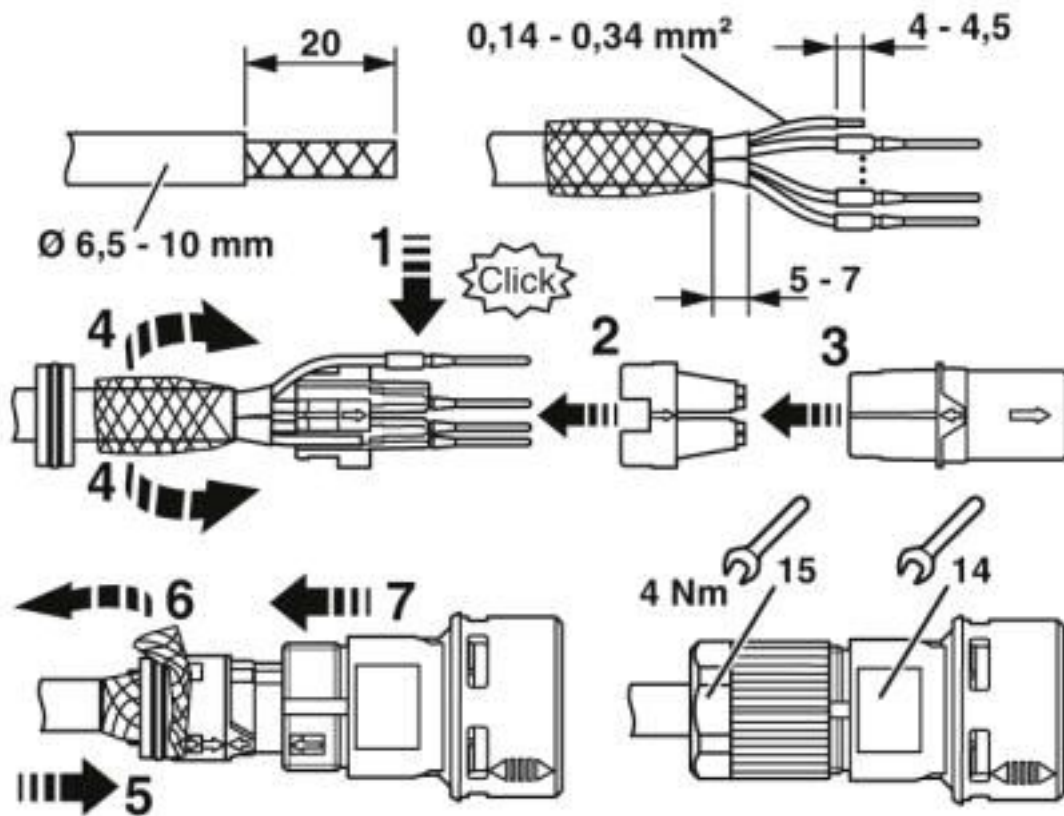
Standards/regulations	acc. to DIN EN 45545-2
-----------------------	------------------------

Environmental Product Compliance

China RoHS	Environmentally Friendly Use Period = 50 years
	For details about hazardous substances go to tab "Downloads", Category "Manufacturer's declaration"

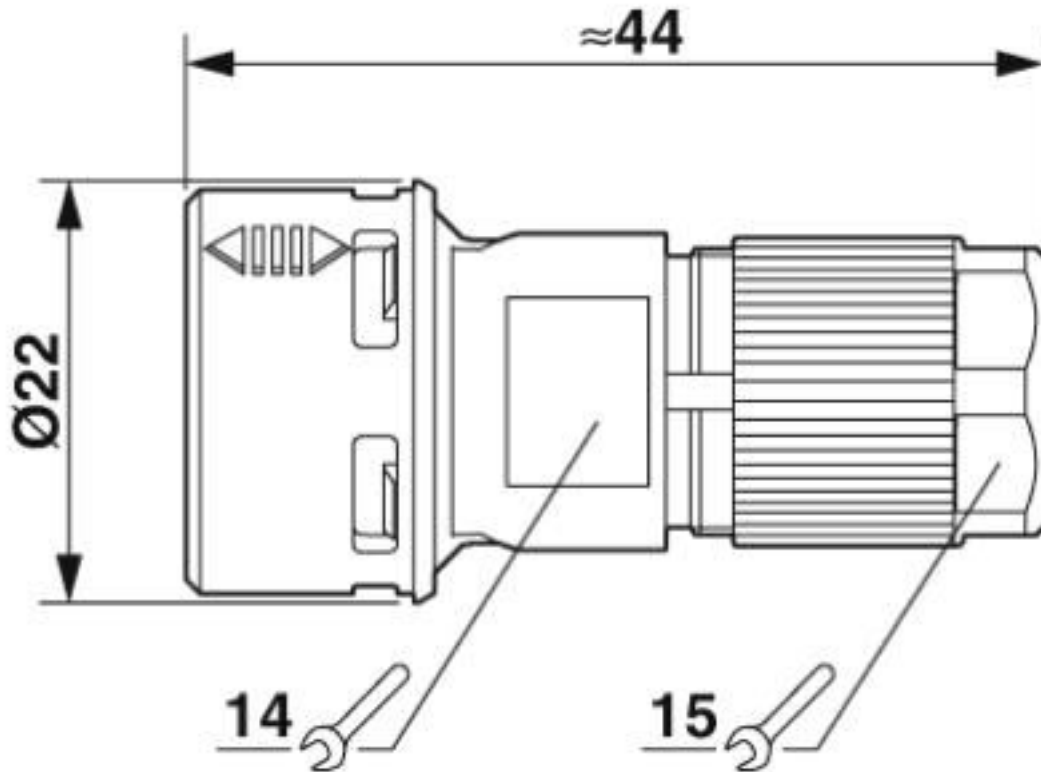
Drawings

Functional drawing



Data connector - SACC-P12MSX-8CT-CL SH - 1021783

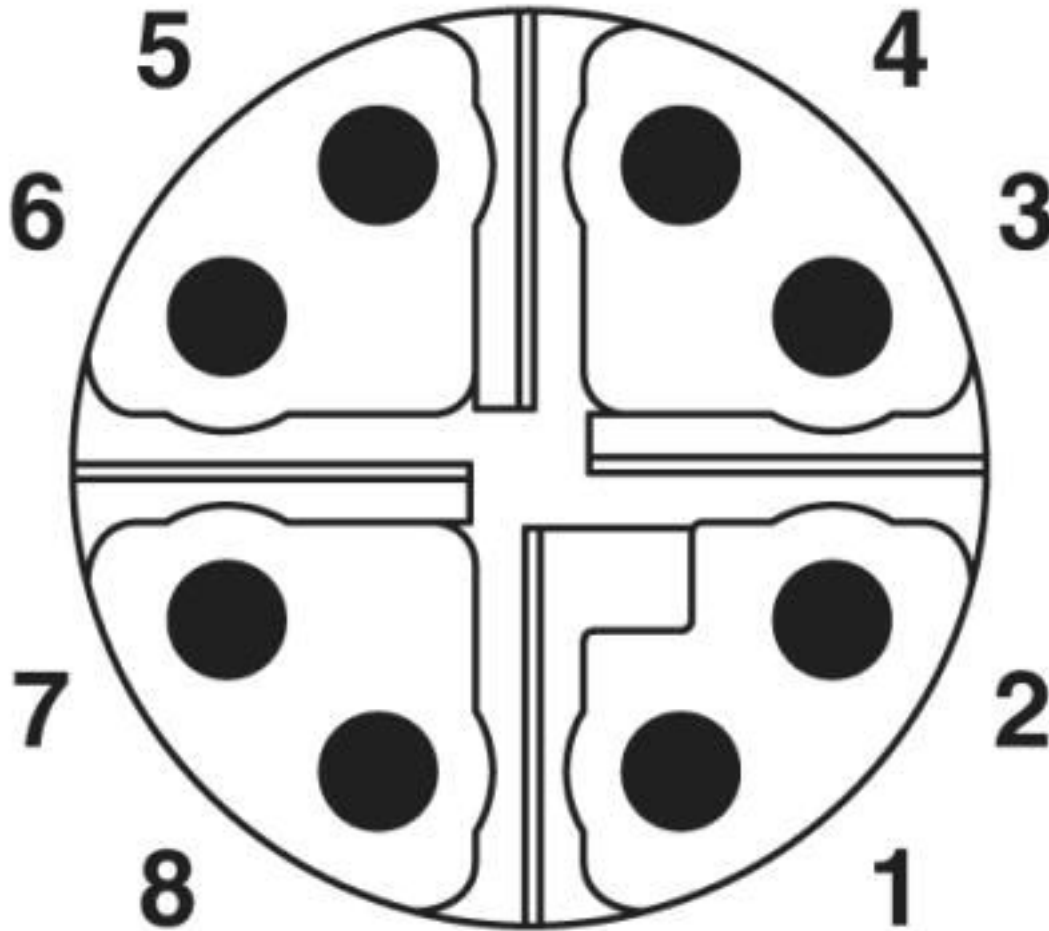
Dimensional drawing



M12 push-pull plug, straight, shielded

Data connector - SACC-P12MSX-8CT-CL SH - 1021783

Schematic diagram



Classifications

eCl@ss

eCl@ss 10.0.1	27440102
eCl@ss 9.0	27440102

ETIM

ETIM 5.0	EC002062
ETIM 6.0	EC002062

Approvals

Approvals

Approvals

EAC

Data connector - SACC-P12MSX-8CT-CL SH - 1021783

Approvals

Ex Approvals

Approval details

EAC



RU C-
DE.AI30.B.01102

Accessories

Accessories

Crimp contact

Crimp contact - CC0,6-TS-0,34M AU - 1423643



Crimp contact, contact diameter: 0.6 mm, turned, Pin, contact material: CuZn, contact surface: Ni/Au, connection cross section: 0.14 mm² ... 0.34 mm² AWG 26 ... 22

Crimping tool

Crimping pliers - CRIMPFOX-TC MP - 1212510



Crimping pliers, for turned contacts, universal cross section setting, up to a maximum of 2.5 mm², digital display with 0.01 mm increments, pressure lock can be unlocked, including positioning tool

Data cable by the meter

Network cable - NBC-100,0-94S - 1423514



By the meter, Network cable, Ethernet CAT7 (10 Gbps), shielded, PE-X halogen-free, black, 8-wire (4x2xAWG26/7; S/FTP), color single wire: White-blue, white-orange, white-green, white-brown, cable length: 100 m, For railway applications

Electronics pliers

Data connector - SACC-P12MSX-8CT-CL SH - 1021783

Accessories

Diagonal cutter - MICROFOX-SB - 1212489



Electronic diagonal cutter, round head, without chamfer, with opening spring, mirror-polished and oiled, 2-component grip, cutting capacity: soft 0.2 - 2.0 mm; medium hard 1.2 mm; hard 0.5 mm diameter

Stripping tool

Stripping tool - WIREFOX-D 13 - 1212162



Stripping tool, for stripping installation lines of Ø 8 - 13 mm, e.g. NYM 3 x 1.5 mm² to 5 x 2.5 mm², single line stripping 0.2 mm² - 4 mm², with longitudinal cut blade and sliding knife

Stripping tool - WIREFOX SAC - 1212623



Stripping pliers, for halogen-free sensor/actuator cables (SAC cables), with PUR and PVC insulation, from Ø of 4.4 to 7 mm, any stripping length

Necessary add-on products

Crimp contact - CC0,6-TS-0,34M AU - 1423643



Crimp contact, contact diameter: 0.6 mm, turned, Pin, contact material: CuZn, contact surface: Ni/Au, connection cross section: 0.14 mm² ... 0.34 mm² AWG 26 ... 22

X-ON Electronics

Largest Supplier of Electrical and Electronic Components

Click to view similar products for [Circular Metric Connectors](#) category:

Click to view products by [Phoenix Contact](#) manufacturer:

Other Similar products are found below :

[600X518037X](#) [6STD15PCR99B70A](#) [8R4000A16M020](#) [8R5000A16M005](#) [1200910002](#) [1203580030](#) [1200910008](#) [1200910011](#) [1300140094](#)
[130203-0054](#) [1300140026](#) [1300150099](#) [RF-12S1N8A90DU](#) [1612618](#) [21036836414](#) [8R4006A16M010](#) [1604232](#) [1R3006A20M005](#) [RF-](#)
[12P1N8A80DU](#) [RF-12P1N8A90DU](#) [41-40011](#) [42-00006](#) [42-01015](#) [4-22279-4](#) [4-22281-1](#) [4-22284-9](#) [43-00113](#) [43-01088](#) [43-01203](#) [41-](#)
[40013](#) [42-00008](#) [43-00343](#) [43-01026](#) [43-01032](#) [43-01162](#) [43-01173](#) [43-10000](#) [XS3P-M421-2](#) [600X518050X](#) [SACC-DSI-FS-5P-PG9-L180](#)
[SC](#) [8R5006A16M020](#) [8R5006A16M005](#) [8R4000A16M010](#) [6-22279-3](#) [1605332](#) [N03FA03144](#) [1300140077](#) [43-16213](#) [43-01338](#)
[XS2RD4265](#)