

# Type 3 surge protection device - TTC-6P-T3-24DC-PT-I - 1027586

Please be informed that the data shown in this PDF Document is generated from our Online Catalog. Please find the complete data in the user's documentation. Our General Terms of Use for Downloads are valid (<http://phoenixcontact.com/download>)




Type 3 surge protection, consisting of protective plug and base element, with integrated status indicator for 24 V DC power supplies.

## Your advantages

- ✔ Space-saving and inexpensive with a narrow overall width of just 6.2 mm
- ✔ Application setup is easy, since it is the same shape as PTCB device circuit breakers
- ✔ Low voltage protection level, thanks to diode technology
- ✔ Quick and tool-free installation of surge protective devices, thanks to Push-in connection technology
- ✔ Safe behavior in the event of overload, thanks to the integrated disconnect device
- ✔ Simple testing and documentation with CHECKMASTER 2, thanks to pluggable protective modules



## Key Commercial Data

Packing unit	1 pc
GTIN	 4 0 5 5 6 2 6 5 2 2 3 3 3
GTIN	4055626522333

## Technical data

### Dimensions

Height	105.8 mm
Width	6.2 mm +0.1 mm
Depth	100 mm (incl. DIN rail 7.5 mm)

### Ambient conditions

Degree of protection	IP20
Ambient temperature (operation)	-40 °C ... 80 °C
Ambient temperature (storage/transport)	-40 °C ... 80 °C
Altitude	≤ 6000 m (amsl (above mean sea level))
Permissible humidity (operation)	5 % ... 95 %
Shock (operation)	30g (Half-sine / 11 ms / 3x ±X, ±Y, ±Z)

# Type 3 surge protection device - TTC-6P-T3-24DC-PT-I - 1027586

## Technical data

### Ambient conditions

Vibration (operation)	5g (10 ... 150 Hz/20 cycles/axis/X, Y, Z)
-----------------------	---

### General

EN type	T3
IEC power supply system	DC
Number of ports	One
Mode of protection	(DC+) - (DC-) (DC+/DC-) - PE
Mounting type	DIN rail: TH 35 - 7.5 mm
Color	traffic grey A RAL 7042 light grey RAL 7035
Housing material	PBT
Degree of pollution	2
Flammability rating according to UL 94	V-0
Type	DIN rail module, two-section, divisible
Number of positions	2
Surge protection fault message	optical

### Additional descriptions

Note	CBM:
	2905743 CBM E4 24DC/0.5-10A NO-R
	2905744 CBM E8 24DC/0.5-10A NO-R
	CBMC:
	2906032 CBMC E4 24DC/1-10A NO
	2908716 CBMC E4 24DC/1-10A NO-C
	2910411 CBMC E4 24DC/1-10A IOL
	PTCB:
	2908262 PTCB E1 24DC/1-8A NO
	CB E1:
	2800907 CB E1 24DC/10A NO P
	2800914 CB E1 24DC/10A S-R P
	2800928 CB E1 24DC/10A S-C P
	2905805 CB E1 24DC/10A SI-R P
	2905812 CB E1 24DC/10A SI-C P

### Protective circuit

Nominal voltage $U_N$	24 V DC
Maximum continuous voltage $U_C$	30 V DC
Rated load current $I_L$	6 A (30 °C)
Residual current $I_{PE}$	$\leq 5 \mu A$
Nominal discharge current $I_n$ (8/20) $\mu s$	1 kA
Combination wave $U_{OC}$	2 kV (2 $\Omega$ )

## Type 3 surge protection device - TTC-6P-T3-24DC-PT-I - 1027586

### Technical data

#### Protective circuit

	6 kV (12 Ω)
Voltage protection level $U_p$ (DC+) - (DC-)	$\leq 0.09$ kV ( $U_{oc}= 2$ kV)
	$\leq 0.2$ kV ( $U_{oc}= 6$ kV)
Voltage protection level $U_p$ (DC+/DC-) - PE	$\leq 0.7$ kV
	$\leq 100$ ns
Short-circuit current rating $I_{SCCR}$	60 A DC (without additional backup fuse)
	220 A DC
Max. backup fuse with branch wiring	6 A (gG)
	10 A (see the note: CBM, CBMC, PTCB, CB E1)
Maximum backup fuse for through wiring	6 A (gG)

#### Connection data

Connection method	Push-in connection
Conductor cross section flexible	0.2 mm <sup>2</sup> ... 2.5 mm <sup>2</sup>
Conductor cross section solid	0.2 mm <sup>2</sup> ... 4 mm <sup>2</sup>
Conductor cross section AWG	24 ... 12
Stripping length	8 mm

#### Standards and Regulations

Standards/specifications	IEC 61643-11 2011
	EN 61643-11 2012

#### Environmental Product Compliance

REACH SVHC	Lead 7439-92-1
China RoHS	Environmentally Friendly Use Period = 50 years
	For details about hazardous substances go to tab "Downloads", Category "Manufacturer's declaration"

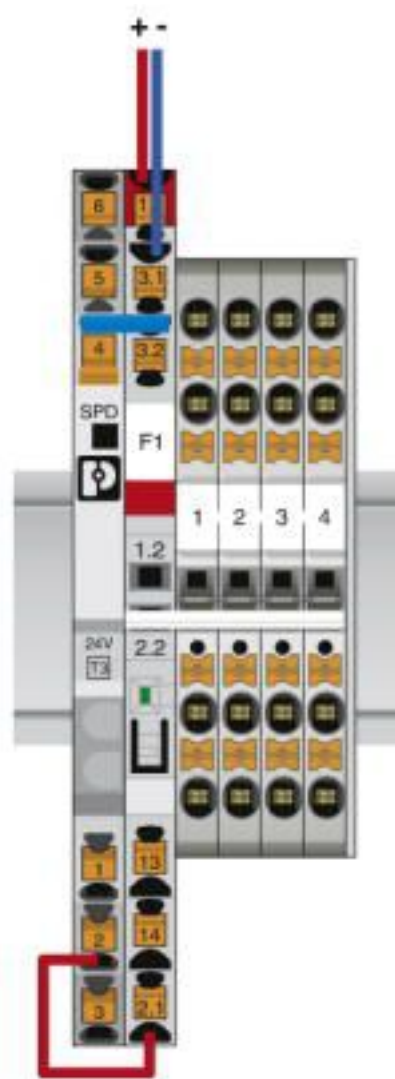
### Drawings

# Type 3 surge protection device - TTC-6P-T3-24DC-PT-I - 1027586

Product drawing

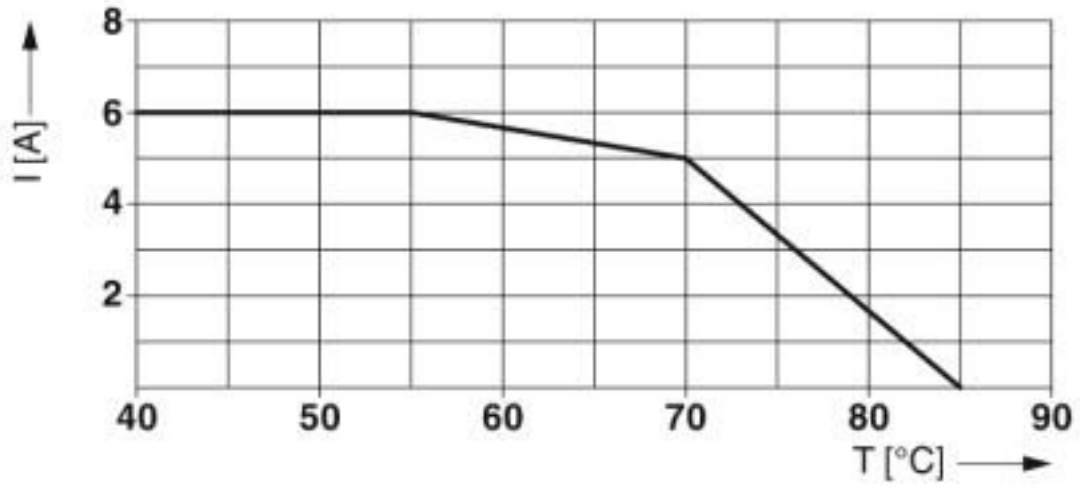


Application drawing

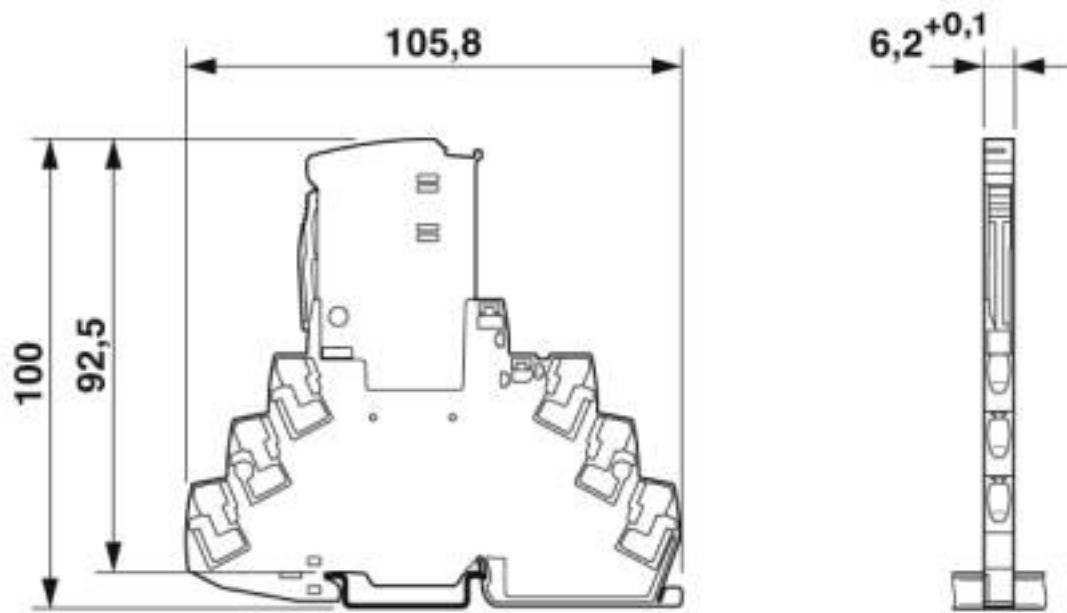


# Type 3 surge protection device - TTC-6P-T3-24DC-PT-I - 1027586

Diagram

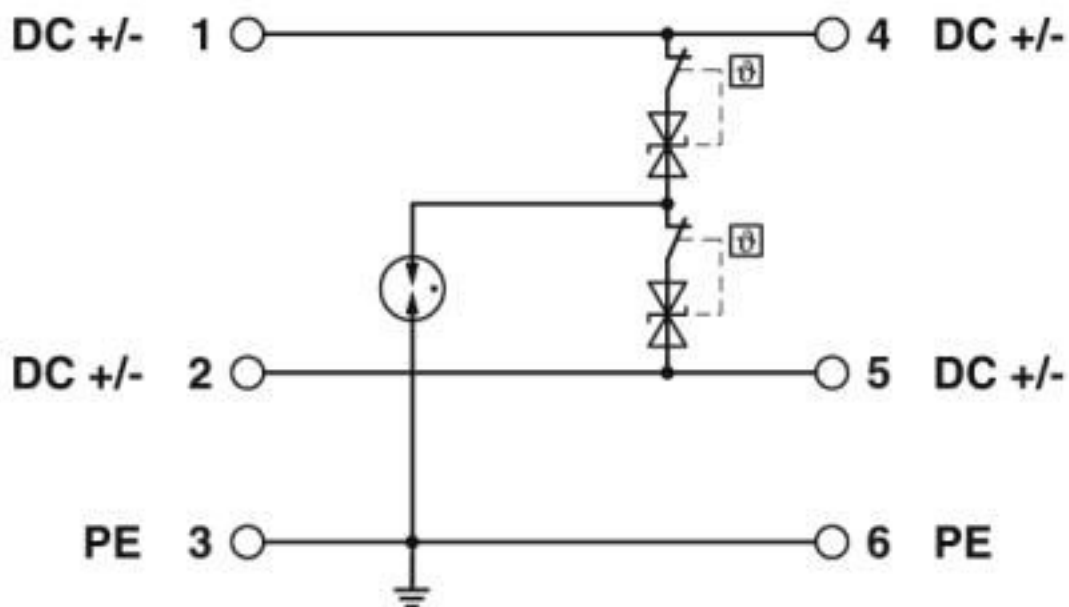


Dimensional drawing



## Type 3 surge protection device - TTC-6P-T3-24DC-PT-I - 1027586

Circuit diagram



### Classifications

eCl@ss

eCl@ss 10.0.1	27130806
eCl@ss 6.0	27130800
eCl@ss 7.0	27130806
eCl@ss 8.0	27130806
eCl@ss 9.0	27130806

ETIM

ETIM 5.0	EC000942
ETIM 6.0	EC000942
ETIM 7.0	EC000942

### Approvals

Approvals

Approvals

UL Listed

Ex Approvals

UL Listed / cUL Listed / cULus Listed

# Type 3 surge protection device - TTC-6P-T3-24DC-PT-I - 1027586

## Approvals

### Approval details

UL Listed		<a href="http://database.ul.com/cgi-bin/XYV/template/LISEXT/1FRAME/index.htm">http://database.ul.com/cgi-bin/XYV/template/LISEXT/1FRAME/index.htm</a>	FILE E 138168
-----------	--	---	---------------

## Accessories

### Accessories

#### End block

End clamp - CLIPFIX 35-5 - 3022276



Quick mounting end clamp for NS 35/7,5 DIN rail or NS 35/15 DIN rail, with marking option, with parking option for FBS...5, FBS...6, KSS 5, KSS 6, width: 5.15 mm, color: gray

#### Labeled terminal marker

Zack Marker strip, flat - ZBF 6 CUS - 0825027



Zack Marker strip, flat, Strip, can be ordered: Strip, white, labeled according to customer specifications, mounting type: snap into flat marker groove, for terminal block width: 6.2 mm, lettering field size: 5.15 x 6.15 mm, Number of individual labels: 10

Zack Marker strip, flat - ZBF 6,QR:FORTL.ZAHLEN - 0808765



Zack Marker strip, flat, Strip, white, labeled, Printed vertically: consecutive numbers 1 ... 10, 11 ... 20, etc. up to 91 ... 100, mounting type: snap into flat marker groove, for terminal block width: 6.2 mm, lettering field size: 5.15 x 6.15 mm, Number of individual labels: 10

#### Marker pen

Marker pen - X-PEN 0,35 - 0811228



Marker pen without ink cartridge, for manual labeling of markers, labeling extremely wipe-proof, line thickness 0.35 mm

## Type 3 surge protection device - TTC-6P-T3-24DC-PT-I - 1027586

### Accessories

#### Terminal marking

Zack Marker strip, flat - ZBF 6:UNBEDRUCKT - 0808710



Zack Marker strip, flat, Strip, white, unlabeled, can be labeled with: PLOTMARK, CMS-P1-PLOTTER, mounting type: snap into flat marker groove, for terminal block width: 6.2 mm, lettering field size: 5.15 x 6.15 mm, Number of individual labels: 10

Zack Marker strip, flat - ZBF 6/WH-100:UNBEDRUCKT - 0808736



Zack Marker strip, flat, Strip, white, unlabeled, can be labeled with: PLOTMARK, CMS-P1-PLOTTER, mounting type: snap into flat marker groove, for terminal block width: 6.2 mm, lettering field size: 5.15 x 6.15 mm, Number of individual labels: 10

#### Additional products

Remote signaling set - TTC-6-FMRS-UT - 2907810



Module set for the optical monitoring and floating remote signaling of neighboring surge protective devices of the TERMITRAB complete product range.

Shield connection - SSA 3-6 - 2839295



Shield fast connection for 3 ... 6 mm cable diameter. Potential connecting cable: 200 mm, 1 mm<sup>2</sup>, color: black

Shield connection - SSA 5-10 - 2839512



Shield fast connection for 5 ... 10 mm cable diameter. Potential connecting cable: 200 mm, 1 mm<sup>2</sup>, color: black

#### Spare parts



## Type 3 surge protection device - TTC-6P-T3-24DC-PT-I - 1027586

### Accessories

Type 3 surge protection plug - TTC-6P-T3-24DC-I-P - 1027591



Replacement plug for type 3 surge protection from the TERMITRAB complete T3 product series. Nominal voltage 24 V.

---

Phoenix Contact 2020 © - all rights reserved  
<http://www.phoenixcontact.com>

PHOENIX CONTACT GmbH & Co. KG  
Flachsmarktstr. 8  
32825 Blomberg  
Germany  
Tel. +49 5235 300  
Fax +49 5235 3 41200  
<http://www.phoenixcontact.com>

## X-ON Electronics

Largest Supplier of Electrical and Electronic Components

*Click to view similar products for [Surge Suppressors](#) category:*

*Click to view products by [Phoenix Contact](#) manufacturer:*

Other Similar products are found below :

[GUS1](#) [GUS12](#) [BSPM1A600D600LVR](#) [2800521](#) [29-2053](#) [GUS11](#) [GUS2](#) [GUS3](#) [30460](#) [SRA64C060X](#) [PC642C015](#) [1810-15-A3](#) [2713175](#)  
[4B06B-EC1-150LF](#) [SRA6LC](#) [BPMA75D100LV](#) [CX06M](#) [CCTV1](#) [GUS13](#) [GUS14](#) [GUS5](#) [GUS6](#) [VAL-MS 320/3+0-FM](#) [VAL-US-](#)  
[120/40/1+1-FM](#) [VAL-US-120/65/1+1-FM](#) [VAL-US-480D/30/3+0-FM](#) [VAL-US-120/40/1+0-FM](#) [LP-STRL-NFF](#) [LP-STRL-DFE](#) [GUS22](#)  
[0804111](#) [5053609](#) [5053201](#) [SPD2-150-1P0](#) [SPD2-550-1P0](#) [6720005416](#) [6720005417](#) [1-2191595-2](#) [STC-CAT6-P0E-I](#) [SPD2-350-1P0](#) [FLT-](#)  
[CP-350-ST](#) [TTC-6P-3-HF-F-M-12DC-UT-I](#) [SMTPA200](#) [2800989](#) [2906776](#) [2906810](#) [2906847](#) [2906848](#) [2906851](#) [2910332](#)