

Flush-type connector - SACC-DSI-FS-5CON-M16-L180 PP - 1027669

Please be informed that the data shown in this PDF Document is generated from our Online Catalog. Please find the complete data in the user's documentation. Our General Terms of Use for Downloads are valid (<http://phoenixcontact.com/download>)



Sensor/actuator panel-mount connector, 5-pos., M12 push-pull, A-coded, rear/screw mounting with M16 thread, with straight solder connection

Your advantages

- ✔ Established M12 standard for secure transmission of signals, data, and power
- ✔ Easy and quick cabling of devices and systems in hard-to-reach areas
- ✔ Manufacturer-independent M12 push-pull locking system for maximum availability
- ✔ Reliable shield connection even under extreme mechanical strain
- ✔ Compatible with connectors with screw or push-in connection



Key Commercial Data

Packing unit	12 pc
Minimum order quantity	12 pc
GTIN	
GTIN	4055626533391

Technical data

Dimensions

Length of the solder pin	6 mm
--------------------------	------

Ambient conditions

Ambient temperature (operation)	-25 °C ... 85 °C (Plug / socket)
Degree of protection	IP67

General

Note	The electrical and mechanical data specified assume that the connector pair is correctly locked and mounted. If the connector is unlocked and if there is a danger of contamination, the connector must be sealed using a protective cap > IP54. Influences arising from litz wires, cables or PCB assembly must also be taken into consideration.
Rated current at 40°C	4 A

Flush-type connector - SACC-DSI-FS-5CON-M16-L180 PP - 1027669

Technical data

General

Rated voltage	60 V
Rated surge voltage	1.5 kV
Number of positions	5
Coding	A-coded
Standards/regulations	M12 connector IEC 61076-2-101 Push-pull
Status display	No
Overvoltage category	II
Degree of pollution	3
Connection method	Wave soldering contacts
Insertion/withdrawal cycles	> 100
Mounting type	Rear mounting M16 With flat nut

Material

Flammability rating according to UL 94	V0
Contact material	CuZn
Contact surface material	Au
Contact carrier material	PA 6.6
Material of grip body	Nickel-plated brass
Material, knurls	Nickel-plated brass
Material	Brass, nickel-plated
Sealing material	NBR/FKM
Additional material specifications	PU 2K (Grout material)

Cable

Standards/specifications	M12 connector IEC 61076-2-101 Push-pull
--------------------------	---

Standards and Regulations

Standards/specifications	M12 connector IEC 61076-2-101 Push-pull
Flammability rating according to UL 94	V0

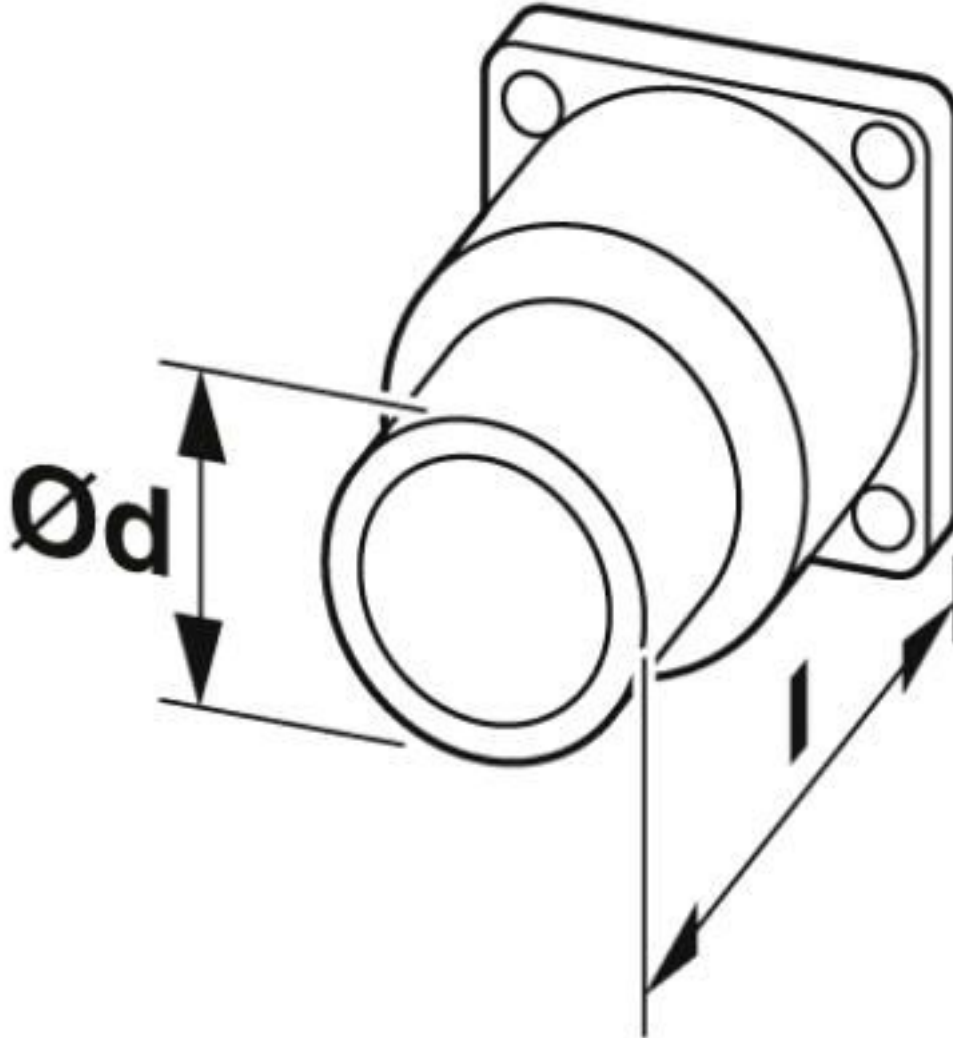
Environmental Product Compliance

REACH SVHC	Lead 7439-92-1
China RoHS	Environmentally Friendly Use Period = 50 years
	For details about hazardous substances go to tab "Downloads", Category "Manufacturer's declaration"

Drawings

Flush-type connector - SACC-DSI-FS-5CON-M16-L180 PP - 1027669

Dimensional drawing



Technical drawings can be found under Downloads

Classifications

eCl@ss

eCl@ss 10.0.1	27440109
eCl@ss 8.0	27440103
eCl@ss 9.0	27440103

ETIM

ETIM 6.0	EC002061
----------	----------

Approvals

Approvals

Flush-type connector - SACC-DSI-FS-5CON-M16-L180 PP - 1027669

Approvals

Approvals

cULus Recognized / EAC

Ex Approvals

Approval details

cULus Recognized		http://database.ul.com/cgi-bin/XYVV/template/LISEXT/1FRAME/index.htm E221474-20140616
Nominal voltage UN	60 V	
Nominal current IN	4 A	
mm ² /AWG/kcmil	22-20	

EAC		B.01687
-----	--	---------

Accessories

Accessories

Plug for cable screw gland

Screw plug - PROT-M12 - 1680539



An M12 screw plug for the unoccupied M12 sockets of the sensor/actuator cable, boxes and flush-type connectors

Screw plug - PROT-M12 SH - 1503302



An M12 screw plug for the unoccupied M12 sockets of the shielded sensor/actuator cable, boxes and flush-type connectors

Flush-type connector - SACC-DSI-FS-5CON-M16-L180 PP - 1027669

Accessories

Screw plug - PROT-M12 FB - 1555538



M12 high-grade steel screw plug, for unoccupied M12 sockets of the sensor/actuator cables, boxes and flush-type connectors for the food industry

Phoenix Contact 2020 © - all rights reserved
<http://www.phoenixcontact.com>

PHOENIX CONTACT GmbH & Co. KG
Flachsmarktstr. 8
32825 Blomberg
Germany
Tel. +49 5235 300
Fax +49 5235 3 41200
<http://www.phoenixcontact.com>

X-ON Electronics

Largest Supplier of Electrical and Electronic Components

Click to view similar products for [Circular Metric Connectors](#) category:

Click to view products by [Phoenix Contact](#) manufacturer:

Other Similar products are found below :

[600X518037X](#) [6STD15PCR99B70A](#) [8R4000A16M020](#) [8R5000A16M005](#) [1200910002](#) [1203580030](#) [1200910008](#) [1200910011](#) [1300140094](#)
[130203-0054](#) [1300140026](#) [1300150099](#) [RF-12S1N8A90DU](#) [1-3637-600-5205](#) [1612618](#) [21036836414](#) [8R4006A16M010](#) [1604232](#)
[1R3006A20M005](#) [RF-12P1N8A90DU](#) [41-40011](#) [42-00006](#) [42-01015](#) [4-22279-4](#) [4-22281-1](#) [4-22284-9](#) [43-00113](#) [43-01088](#) [43-01203](#) [41-](#)
[40013](#) [42-00008](#) [43-00343](#) [43-01026](#) [43-01162](#) [43-01173](#) [43-10000](#) [XS3P-M421-2](#) [600X518050X](#) [SACC-DSI-FS-5P-PG9-L180 SC](#)
[8R5006A16M020](#) [8R5006A16M005](#) [8R4000A16M010](#) [6-22279-3](#) [1605332](#) [N03FA03144](#) [1300140077](#) [43-16213](#) [43-01338](#) [XS2RD4265](#)
[XS2R-D426-1](#)