

## Flush-type connector - SACC-E-FS-5CON-M16/0,5 PP - 1027683

Please be informed that the data shown in this PDF Document is generated from our Online Catalog. Please find the complete data in the user's documentation. Our General Terms of Use for Downloads are valid (<http://phoenixcontact.com/download>)



Sensor/actuator panel-mount connector, 5-pos., M12 push-pull, A-coded, front-wall/screw mounting with M16 thread, with straight solder connection

### Your advantages

- ✔ Established M12 standard for secure transmission of signals, data, and power
- ✔ Easy and quick cabling of devices and systems in hard-to-reach areas
- ✔ Manufacturer-independent M12 push-pull locking system for maximum availability
- ✔ Reliable shield connection even under extreme mechanical strain
- ✔ Compatible with connectors with screw or push-in connection

### Key Commercial Data

|              |               |
|--------------|---------------|
| Packing unit | 1 pc          |
| GTIN         |               |
| GTIN         | 4055626533964 |

### Technical data

#### Dimensions

|                 |       |
|-----------------|-------|
| Length of cable | 0.5 m |
|-----------------|-------|

#### Ambient conditions

|                                 |                                  |
|---------------------------------|----------------------------------|
| Ambient temperature (operation) | -25 °C ... 85 °C (Plug / socket) |
| Degree of protection            | IP67                             |

#### General

|                       |  |
|-----------------------|--|
| Note                  | The electrical and mechanical data specified assume that the connector pair is correctly locked and mounted. If the connector is unlocked and if there is a danger of contamination, the connector must be sealed using a protective cap > IP54. Influences arising from litz wires, cables or PCB assembly must also be taken into consideration. |
| Rated current at 40°C | 4 A  |
| Rated voltage         | 60 V   |

# Flush-type connector - SACC-E-FS-5CON-M16/0,5 PP - 1027683

## Technical data

### General

|                             |   |
|-----------------------------|---|
| Rated surge voltage         | 1.5 kV                                  |
| Number of positions         | 5                                       |
| Insulation resistance       | ≥ 100 MΩ                                |
| Coding                      | A-coded                                 |
| Standards/regulations       | M12 connector IEC 61076-2-101 Push-pull |
| Signal type/category        | Universal                               |
| Status display              | No                                      |
| Overvoltage category        | II                                      |
| Degree of pollution         | 3                                       |
| Connection method           | Individual wires                        |
| Insertion/withdrawal cycles | > 100                                   |
| Torque                      | 3 Nm ... 4 Nm (Installation-side)       |
| Mounting type               | Front mounting M16 x 1.5                |

### Material

|  |                        |
|--|------------------------|
| Flammability rating according to UL 94 | V0                     |
| Contact material                       | CuZn                   |
| Contact surface material               | Ni/Au                  |
| Contact carrier material               | PA 6.6                 |
| Material of grip body                  | Nickel-plated brass    |
| Material, knurls                       | Nickel-plated brass    |
| Material                               | Brass, nickel-plated   |
| Sealing material                       | NBR/FKM                |
| Additional material specifications     | PU 2K (Grout material) |

### Cable

|                                    |   |
|------------------------------------|---|
| Cable type                         | TPE litz wire                                   |
| Conductor cross section            | 0.34 mm <sup>2</sup>                            |
| AWG signal line                    | 22  |
| Conductor structure signal line    | 7x 0.25 mm                                      |
| Core diameter including insulation | 1.2 mm ±0.07 mm                                 |
| Thickness, insulation              | 0.21 mm (Core insulation)                       |
| Wire colors                        | Yellow, orange, white, blue                     |
| Material conductor insulation      | TPE   |
| Conductor material                 | Tin-plated Cu litz wires                        |
| Standards/specifications           | M12 connector IEC 61076-2-101 Push-pull         |
| Insulation resistance              | ≥ 20 MΩ*km                                      |
| Conductor resistance               | ≤ 57.6 mΩ/m                                     |
| Nominal voltage, cable             | 300 V   |
| Test voltage, cable                | 2000 V AC                                       |
| Ambient temperature (operation)    | -40 °C ... 85 °C (cable, fixed installation)    |
|                                    | -25 °C ... 85 °C (cable, flexible installation) |

# Flush-type connector - SACC-E-FS-5CON-M16/0,5 PP - 1027683

## Technical data

### Standards and Regulations

|  |  |
|--|--|
| Standards/specifications               | M12 connector IEC 61076-2-101 Push-pull  |
| Flammability rating according to UL 94 | V0   |
| Safety note                            | WARNING: The connectors may not be plugged in or disconnected under load. Ignoring the warning or improper use may damage persons and/or property.   |
|  | <ul style="list-style-type: none"> <li>WARNING: Commission properly functioning products only. The products must be regularly inspected for damage. Decommission defective products immediately. Replace damaged products. Repairs are not possible.</li> </ul>  |
|  | <ul style="list-style-type: none"> <li>WARNING: Only electrically qualified personnel may install and operate the product. They must observe the following safety notes. The qualified personnel must be familiar with the basics of electrical engineering. They must be able to recognize and prevent danger. The relevant symbol on the packaging indicates that only personnel familiar with electrical engineering are allowed to install and operate the product.</li> </ul> |
|  | <ul style="list-style-type: none"> <li>The products are suitable for applications in plant, controller, and electrical device engineering.</li> </ul>  |
|  | <ul style="list-style-type: none"> <li>When operating the connectors in outdoor applications, they must be separately protected against environmental influences.</li> </ul>   |
|  | <ul style="list-style-type: none"> <li>Assembled products may not be manipulated or improperly opened.</li> </ul>  |
|  | <ul style="list-style-type: none"> <li>Only use mating connectors that are specified in the technical data of the standards listed (e.g. the ones listed in the product accessories online at phoenixcontact.com/products).</li> </ul>   |
|  | <ul style="list-style-type: none"> <li>When using the product in direct connection with third-party manufacturers, the user is responsible.</li> </ul>   |
|  | <ul style="list-style-type: none"> <li>For operating voltages &gt; 50 V AC, conductive connector housings must be grounded</li> </ul>  |
|  | <ul style="list-style-type: none"> <li>Ensure that when laying the cable, the tensile load on the connectors does not exceed the upper limit specified in the standards.</li> </ul>  |
|  | <ul style="list-style-type: none"> <li>Observe the corresponding technical data. You will find information:                             <ul style="list-style-type: none"> <li>o On the product</li> <li>o On the packing label</li> <li>o In the supplied documentation</li> <li>o Online at phoenixcontact.com/products under the product</li> </ul> </li> </ul>   |
|  | <ul style="list-style-type: none"> <li>Only use tools recommended by Phoenix Contact</li> </ul>  |
|  | <ul style="list-style-type: none"> <li>Use a protective cap to protect connectors that are not in use. The suitable accessories are available online in the accessory section of the product at phoenixcontact.com/products</li> </ul>   |
|  | <ul style="list-style-type: none"> <li>Ensure that the protective or functional ground has been properly connected.</li> </ul>   |
|  | <ul style="list-style-type: none"> <li>VDE 0100/1.97 § 411.1.3.2 and DIN EN 60 204/11.98 § 14.1.3 are applicable when combining several circuits in a cable and/or connector</li> </ul>  |
|  | <ul style="list-style-type: none"> <li>The connector warms up in normal operation. Depending on the ambient conditions, the surface of the connector can continue to warm up. In this case, the user is responsible for posting warnings (e.g. DIN EN ISO 13732-1:2008-12).</li> </ul>   |

### Environmental Product Compliance

|            |  |
|------------|--|
| China RoHS | Environmentally Friendly Use Period = 50 years |
|------------|--|

## Flush-type connector - SACC-E-FS-5CON-M16/0,5 PP - 1027683

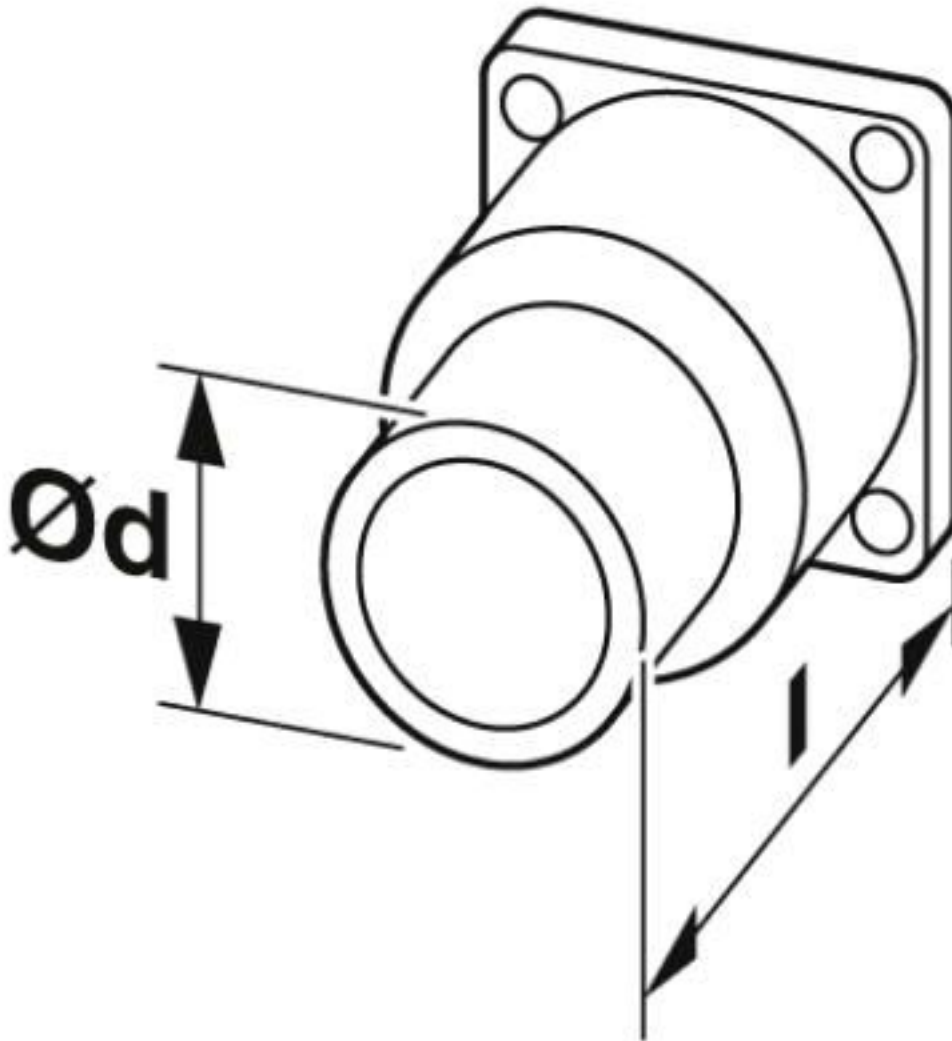
### Technical data

#### Environmental Product Compliance

|  |   |
|--|---|
|  | For details about hazardous substances go to tab "Downloads", Category "Manufacturer's declaration" |
|--|---|

### Drawings

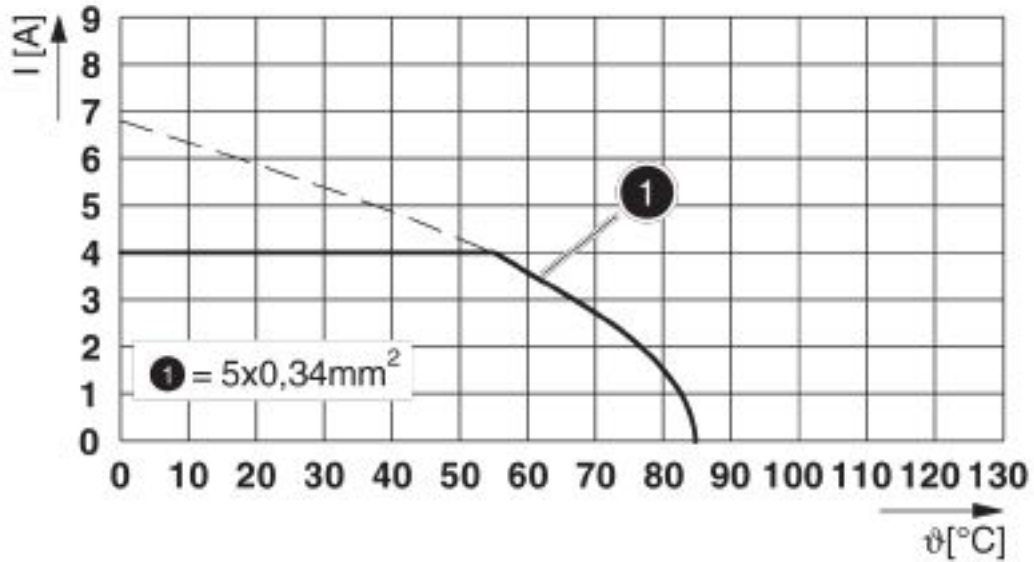
Dimensional drawing



Technical drawings can be found under Downloads

# Flush-type connector - SACC-E-FS-5CON-M16/0,5 PP - 1027683

Diagram



I = current strength, T = ambient temperature

## Classifications

eCl@ss

|               |          |
|---------------|----------|
| eCl@ss 10.0.1 | 27440103 |
| eCl@ss 8.0    | 27440103 |
| eCl@ss 9.0    | 27440103 |

ETIM

|          |          |
|----------|----------|
| ETIM 6.0 | EC002061 |
|----------|----------|

## Approvals

Approvals

---

Approvals

cULus Recognized / EAC

---

Ex Approvals

---

Approval details

# Flush-type connector - SACC-E-FS-5CON-M16/0,5 PP - 1027683

## Approvals

|                            |  |  |
|----------------------------|--|--|
| cULus Recognized           |  | <a href="http://database.ul.com/cgi-bin/XYV/template/LISEXT/1FRAME/index.htm">http://database.ul.com/cgi-bin/XYV/template/LISEXT/1FRAME/index.htm</a> E221474-20140616 |
| Nominal voltage UN         |  | 60 V   |
| Nominal current IN         |  | 4 A  |
| mm <sup>2</sup> /AWG/kcmil |  | 22-20  |

|     |  |         |
|-----|--|---------|
| EAC |  | B.01687 |
|-----|--|---------|

## Accessories

### Accessories

#### Circular connectors (device side)

Flat nut - SACC-E-MU-M16 - 1504097



Flat nut with M16 thread

---

#### Plug for cable screw gland

Screw plug - PROT-M12 - 1680539



An M12 screw plug for the unoccupied M12 sockets of the sensor/actuator cable, boxes and flush-type connectors

Screw plug - PROT-M12 SH - 1503302



An M12 screw plug for the unoccupied M12 sockets of the shielded sensor/actuator cable, boxes and flush-type connectors

## Flush-type connector - SACC-E-FS-5CON-M16/0,5 PP - 1027683

### Accessories

Screw plug - PROT-M12 FB - 1555538



M12 high-grade steel screw plug, for unoccupied M12 sockets of the sensor/actuator cables, boxes and flush-type connectors for the food industry

---

### Seal

Flat gasket - SACC-M16-SEAL CLM - 1430394



M16 flat gasket, for rear mounting of M12 flush-type connectors with M16 fastening thread

---

Phoenix Contact 2020 © - all rights reserved  
<http://www.phoenixcontact.com>

PHOENIX CONTACT GmbH & Co. KG  
Flachsmarktstr. 8  
32825 Blomberg  
Germany  
Tel. +49 5235 300  
Fax +49 5235 3 41200  
<http://www.phoenixcontact.com>

## X-ON Electronics

Largest Supplier of Electrical and Electronic Components

*Click to view similar products for [Sensor Cables / Actuator Cables](#) category:*

*Click to view products by [Phoenix Contact](#) manufacturer:*

Other Similar products are found below :

[60963](#) [60964](#) [703000D02F2002](#) [703001D02F0602](#) [703001D02F300](#) [704000D02F120](#) [773032K02F030](#) [802027107404-1](#) [802027213811-1](#)  
[804001A09M150](#) [805001A09M0502](#) [84914-0235](#) [84914-0237](#) [885030A09M020](#) [8R4J30E03C3003](#) [1200651332](#) [1200651713](#) [1200660844](#)  
[1200660845](#) [1200661173](#) [1200680071](#) [1200720053](#) [1200720081](#) [1200720099](#) [1200720217](#) [1200800231](#) [1200860125](#) [1200870123](#)  
[1200980102](#) [1200650267](#) [1200650298](#) [1200660183](#) [1200660782](#) [1200660849](#) [1200661295](#) [1200661297](#) [1200661342](#) [1200661343](#)  
[1200670080](#) [1200670220](#) [1200680331](#) [1200720252](#) [1200730184](#) [1200860344](#) [1200870359](#) [1200870643](#) [1200980008](#) [1200980031](#)  
[1210502211](#) [1210400542](#)